

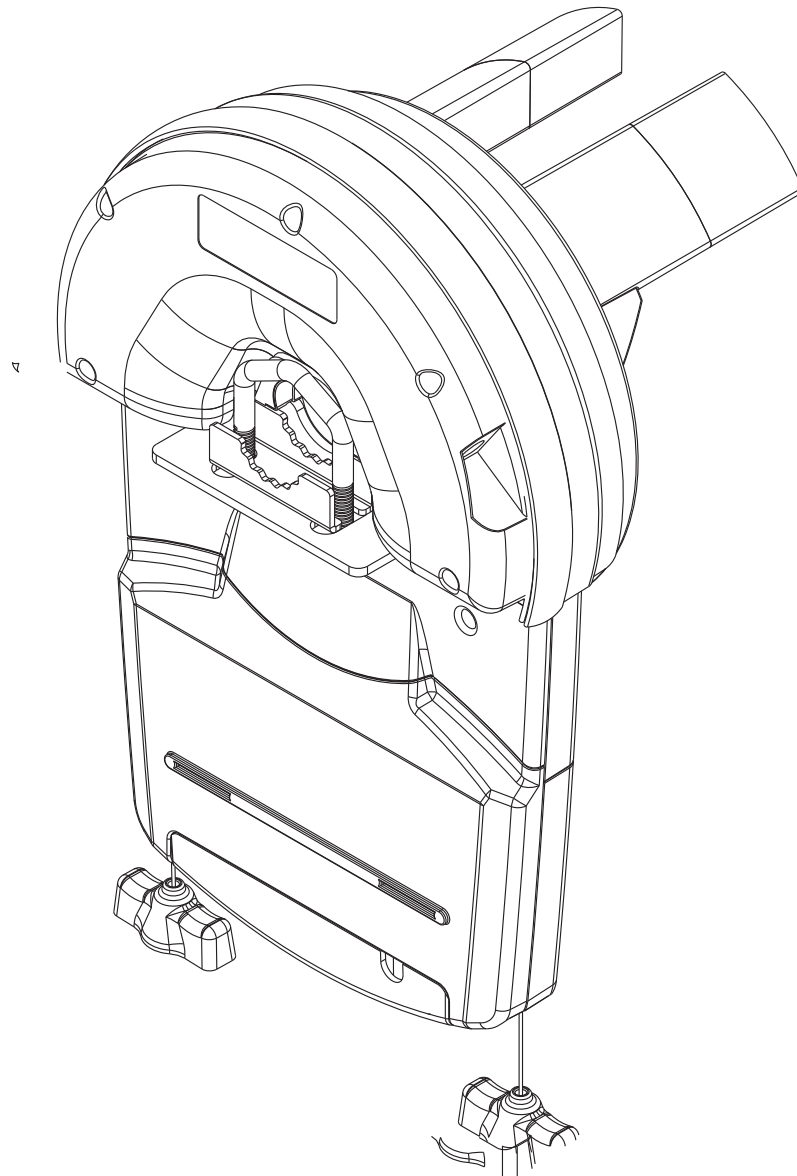















PHOENIX DOORS

OWNER'S MANUAL

ENVIRO 8

ROLLING DOOR OPERATOR



-  We strongly recommend to use a safety beam device for additional protection.
-  DO NOT operate the Garage Door Opener unless the movement of the door is in full view of the operator and free from any objects near the door such as cars and person etc.
-  DO NOT operate the Garage Door Opener when person/s, especially children are near the door. Children must be under supervision of an adult at all times near the garage door way area especially when the Door Opener is in use.
-  Keep the remote control away from children.
-  Ensure that the SAFETY REVERSE SYSTEM (FORCE) is set strictly according to the Installation Instruction Manual, working correctly and is TESTED each month and adjustment made if necessary.
-  DO NOT pull the Manual Release Handle to switch the Door Opener to manual operation function when any person/s and objects near or under the door way. If it is possible, always use the Release Handle to switch the door to manual when the door is in fully closed position.
-  The Wall Switch or Wall Mounted Transmitter should be installed in a LOCATION/ POSITION where the garage door is fully visible when operating and is out of reach of children.
-  Connect the opener power cord ONLY to properly earthen mains. Installation and wiring must be in compliance with relevant local requirements.
-  DISCONNECT electrical power connected to the door opener before undertaking any repair on/or removal of the opener cover. Only experienced professional service personnel should remove the cover.
-  Keep hands or other parts of the body and loose clothing CLEAR of the door and door opener AT ALL TIMES while operating and servicing.
-  When using Auto Close function, a SAFETY PHOTO BEAM device must be installed in a suitable location. The device will have to be tested for correct operation at regular intervals and in a regular base. EXTREME CAUTION is needed when opener is set to The Auto Close mode, safety rules must be obey at all time.
-  The SAFETY REVERSE SYSTEM is only activated when a certain level of FORCE is exerted onto both the object / person and the door. As a result, the object / person / door may suffer a degree of DAMAGE OR INJURY. The SAFETY BEAM device is strongly recommended for more protection.
-  Ensure that the door is fully opened before passing under the door way. Ensure that the door is fully closed before leaving the driveway.

EASY OPERATION

To operate the door opener, simply press the programmed transmitter button once (about 2 seconds). The door can be stopped during traveling by pressing the same button again. The next activation will move the door into the opposite direction. Wall mount transmitter or wall switch (optional) have the same function above.

AUTOMATIC SAFETY REVERSE SYSTEM

If the door encounters object(s) during the closing cycle, it will automatically reverse. It will automatically stop while encountering object(s) during the opening cycle. The amount of force that the door should encounter before reversing or stop is adjustable and should be decided and set initially when the opener is first installed. The safety obstruction force test should be tested once a month and adjustment made should necessary (Refer to Installation Instruction).

LED COURTESY LIGHT

Courtesy light on the control panel automatically switches on for approximately 3 minutes when operating the door each time.

TOTAL OPERATING TIME PROTECTOR

The opener has an in-built protection system. If the door does not fully open within 40 seconds, the opener will stop automatically. Otherwise, the opener will reverse if the door does not close fully in 40 seconds.

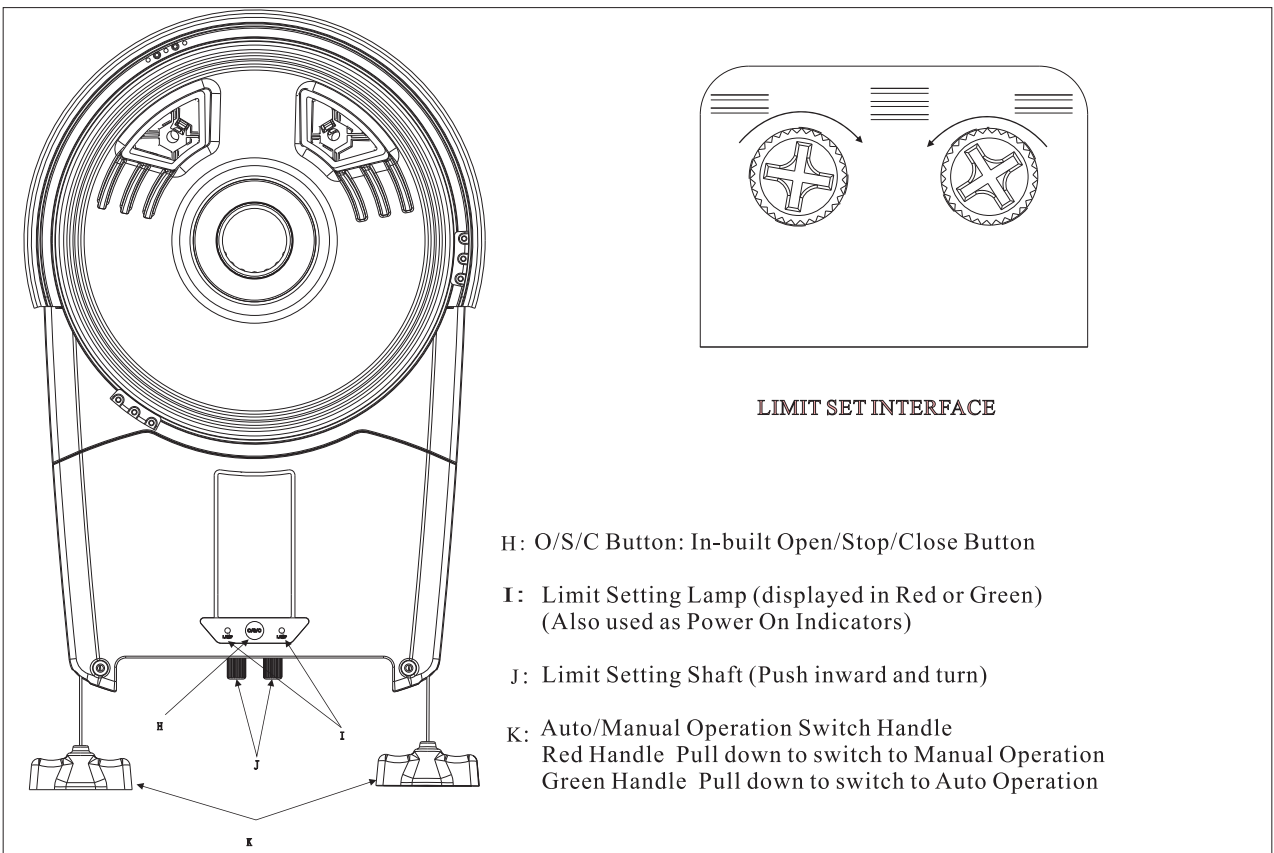
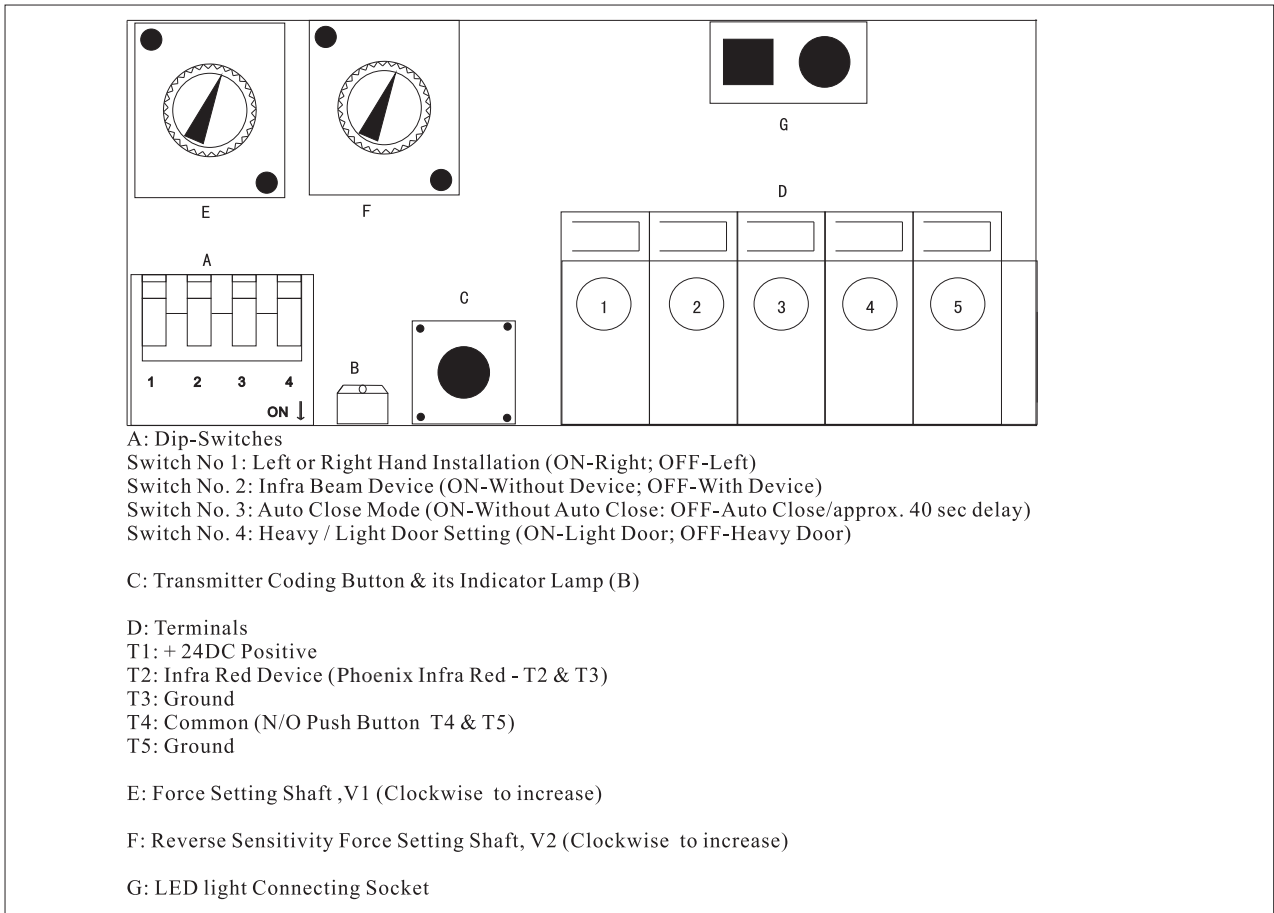
MANUAL RELEASE HANDLE

The opener is equipped with a Manual Release Handle. The door can be released from automatic operation into manual mode by simply pulling down the RED release cord handle. This will enable you to manually open or close the door. To switch back to automatic operation, just to pulling down the GREEN release handle.

CAUTION: Make sure there is not any person/s or objects under or near the door way when pulling the handle.

AUTO CLOSE MODE AND SAFETY BEAM DEVICE (Optional)

The opener has an input terminal for provision of SAFETY BEAM device to be connected for additional safety protection. The door/ opener could be set to automatic close when using in conjunction with an optional Safety Beam Device.



PRE-INSTALLATION

PRE-INSTALLATION 1: ensure sufficient side room space

Minimum side room of 65mm from the face of the door drum wheel to the inside edge of the door support bracket and 100mm to the outside are required to install the opener (see Fig 1). The ideal side room space to fit the opener is respectively of 80mm and 110mm as shown in Fig 2.

PRE-INSTALLATION 2: ensure reasonable door operation condition

Before beginning the installation of the Opener, check the operation of the door. The door must be well balanced and be in reasonable condition. In general, the door should stay unmoving in around 900mm to 1200mm above the floor. The door should not stick or bind in the guide tracks. The ideal operational effort in raising or lowering the door should not exceed a force of 15kg.

PRE-INSTALLTION 3: Weight bars

Weight bars are generally required. Their main purpose is to eliminate the possibility of the door curtain ballooning on initial start-up (from the door fully open position). After installing your new Opener, if your door balloons on initial start-up then we recommend that you fit one or two weight bars to the bottom edge of your door (total weight 5-7kg) as detailed below.

Move the door manually to the mid open position. Place the weight bars equally apart on the bottom rail of the door and secure them with the fasteners provided see Fig 3. Once the weight bars have been fitted the door should have a natural tendency to lightly free fall from the mid open position.

PRE-INSTALLATION 4: Select and set Right or Left Hand Side installation

The opener can be installed in either the Left or the Right hand side of the door (view from inside to look out).

Switch the Dip-Switch No. 1 to ON for RIGHT hand side installation OR OFF for LEFT hand side installation. (See Figure4)

Note: Factory default setting is for Right hand side installation

INSTRUCTIONS FOR FITTING THE OPENER TO THE DOOR

1. INSTALLING THE OPENER ONTO THE DOOR SHAFT

There are various methods on how to install an opener to the door, in here we demonstrate only one typical method and the demo is as Right hand side installation.

1.1 Roll the door up until the door curtain is out the door guides/tracks and use a rope to firmly tie up the roll in the middle of the door (see Fig.5)

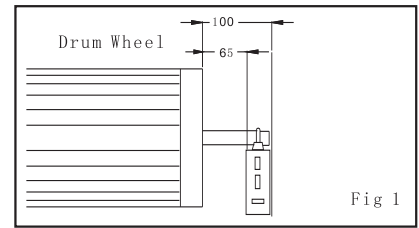


Fig 1

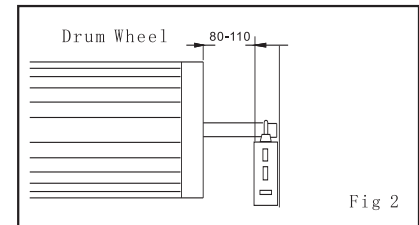


Fig 2

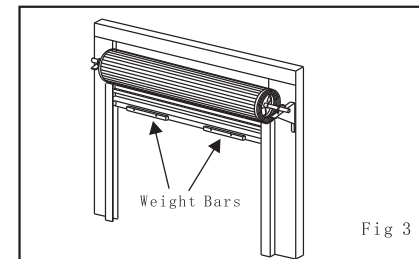


Fig 3

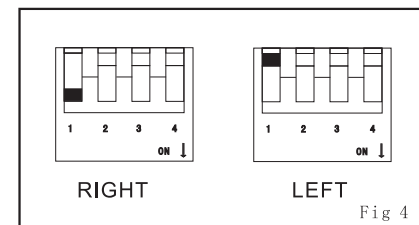


Fig 4

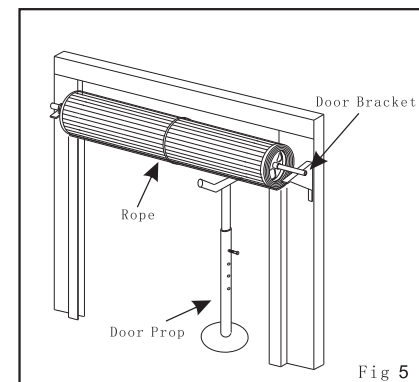


Fig 5

1.2 Go to the opposite of the door that opener is to be installed and check and ensure the fastens of the "U" bolt that tightens the door shaft to the bracket is firmly tightened on. Extra attention should be given to make sure the "U" bolt is tight and the shaft would not move when undoing the U bolt of the opener installation side.

1.3 Using a suitable prop, e.g. step ladder together with soft padding to protect door surface under the door roll on right hand end to support (see Fig 6).

1.4 Loosen the nuts that tighten the shaft "U" bolt on the Right hand side of the opener (opener fitting side) and place the door onto the supporting prop carefully. Remove and refit the door support bracket to a suitable side room position should it be needed.

WARNING: EXTREME PRECAUTION SHOULD BE GIVEN TO PREVENT ANY POSSIBLE DAMAGES IN CASE OF INCIDENTS.

1.5 Switch the opener into manual operation mode by pulling Manual Release Handle to make the opener drive able to rotate freely (see Fig 6).

1.6 Raise the door carefully, insert the opener into the door axle and ensure the two opener forks holds the door drum wheel support. Push the opener inside into the door roll as deep as possible (see Fig.6).

1.7 Remove the supporting prop, untie the rope and insert the door curtain back into its guides.

1.8 Re-position the door shaft on the door support bracket and fit the specially supplied U-bolt (see Fig 7) over the axle/drive assembly and tighten firmly.

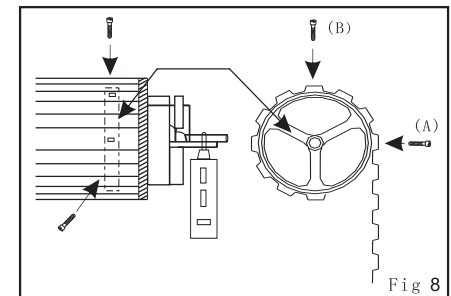
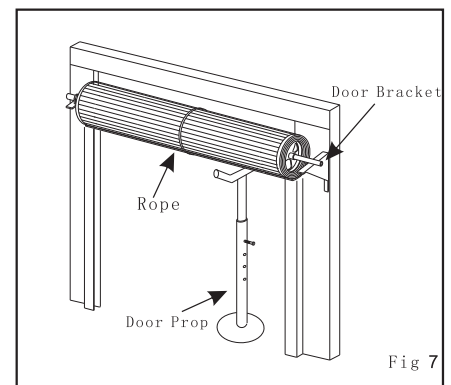
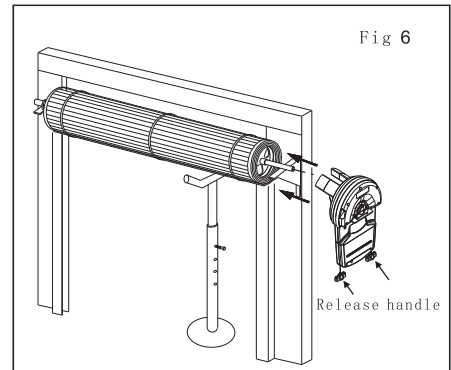
1.9 Manually open and close the door a few times to ensure that the door runs freely and does not interfere with unmoving parts of the opener.

2. PIN DOOR CURTAIN TO DOOR DRUM WHEEL

Pinning door curtain to drum wheel would reduce possible forced lift-up of the door.

2.1 Close the door in fully closed position and mark the two position on each end side of the door that curtain could be pinned onto the drum wheel. The mark position (pinning location) should be at least 90 degree apart (see Fig 8).

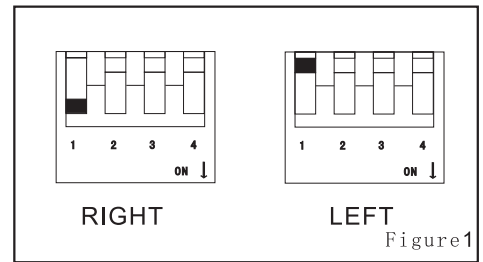
2.2 Raise door a little so that you can access the marked positions and pin curtain to drum wheel with self drilling screws or others.



INSTRUCTION FOR SETTING THE OPENER

Preparation for setting:

- Hold and slide down to take off the Light Cover.
- Turn the Max Force Setting Shaft (V1) anti-clockwise to minimum and Close Force Setting Shaft (V2) clockwise to maximum.
- Choose Light or Heavy door by checking the Dip Switch No. 4. (On for Light Door; Off for Heavy Door).



1. SETTING RIGHT OR LEFT INSTALLATION (FROM INSIDE LOOKING OUT)

Note: Factory default setting is for Right hand side installation

- Select Left or Right hand installation (from inside looking out) by checking Dip Switch No. 1. (On for Right Hand; Off for Left Hand, see **Figure 1**).

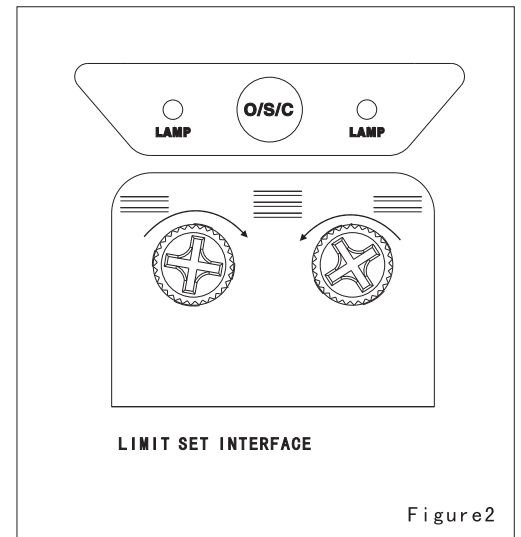
2. SETTING THE TOP AND BOTTOM LIMITS

2.1 Pull the Red Handle down to switch the operator to manual operation.

2.2 Lift the door up by hand to the desired open position. Tips: Keep a small distance before hitting the top door stopper.

2.3 Setting Top Limit: find the Limit Setting Shaft that is directly under the Green Limit Setting Lamp (see **Figure 2**), push inwards gently and

- If a right side installation: turn the Shaft anti clockwise until the Green Lamp just turns OFF; OR
- If a left side installation: turn the Shaft clockwise until the Green Lamp just turns OFF.



2.4 Move the door down by hand to the desired closed position. Tips: do not push the door too hard to the ground.

2.5 Setting Bottom Limit: find the Limit Setting Shaft that is directly under the Red Limit Setting Lamp, push inwards gently and

- If a right side installation: turn the Shaft clockwise until the RED Lamp just turns OFF; OR
- If a left side installation: turn the Shaft anti-clockwise until the RED Lamp just turns OFF.

3. PROGRAM SOFT START AND SOFT STOP

3.1 Pull the Green Handle to switch the operator to auto operation and move the door up or down to make sure that it is fully engaged in (auto).

3.2 Press and hold the O/S/C Button for about 10 seconds until a beep sound is heard and then release the button.

3.3 The opener will automatically open and close fully twice. After the door stops, both Limit Setting Lamps will be flashing three (3) times, it indicates the completion of the limit setting.

Note 1: If you need to stop the door during its auto setting, you can press the O/S/C button, but you will need to go back to Step 3.2 to reset it and complete the programming afterwards.

Note 2: if the door can not complete the full traveling cycle because of the sensitivity setting, you can increase the driving force by turning the Force shaft clockwise 10 degrees each time until the door can increase the driving force by turning the 'Force' shaft clockwise 10 degrees each time until the door can travel two full cycles and complete the programmed setting.

4. FINE ADJUSTMENT FOR THE LIMITS

- 4.1 If the door travels too high up and you want to adjust down
- Find the Limit Shaft below the Green Lamp, push inward gently by hand and turn against the printed Arrow direction for a section (about 10 degrees).
 - Press the O/S/C button to open the door to check the position.
 - Repeat above steps until you satisfy with the Top Limit position.
- 4.2 If the door travels not high enough and want to bring it up
- Find the Limit Shaft below the Green Lamp, push inward gently by hand and turn toward the printed Arrow direction for a section (about 10 degrees).
 - Press the O/S/C button to open the door to check the position.
 - Repeat above steps until you satisfy with the Top Limit position.
- 4.3 If the door stops too low and is hitting the ground and you wish to adjust the limit up
- Find the Limit Shaft below the Red Lamp, push inward gently by hand and turn against the printed Arrow direction for a section (about 10 degrees).
 - Press the O/S/C button to close the door to check the position.
 - Repeat above steps until you satisfy with the Bottom Limit position.
- 4.4 If the door stops too high above the ground and wish to adjust it down
- Find the Limit Shaft below the Red Lamp, push inward gently by hand and turn toward the printed Arrow direction for a section (about 10 degrees).
 - Press the O/S/C button to close the door to check the position.
 - Repeat above steps until you are satisfied with the Bottom Limit position.

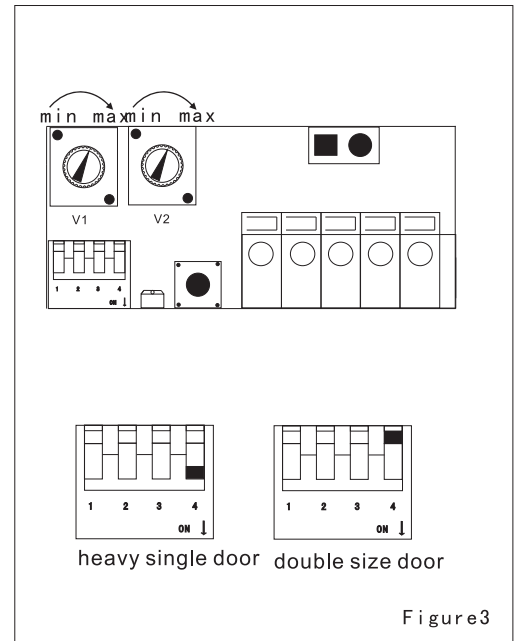


Figure3

5. SETTING OPERATING FORCE AND SAFETY REVERSE FORCE (see Figure3)

- 5.1 Turn the Max Force Setting Shaft (V1) anticlockwise to minimum unless it was adjusted in Step 3.2, Note 2.
- 5.2 Turn the Close Force Shaft (V2) clockwise to maximum.
- 5.3 Press O/S/C Button to open and close door. If the door could not fully open and close, turn the Max Force Shaft (V1) clockwise about 10 degree each time until the door can operate correctly.

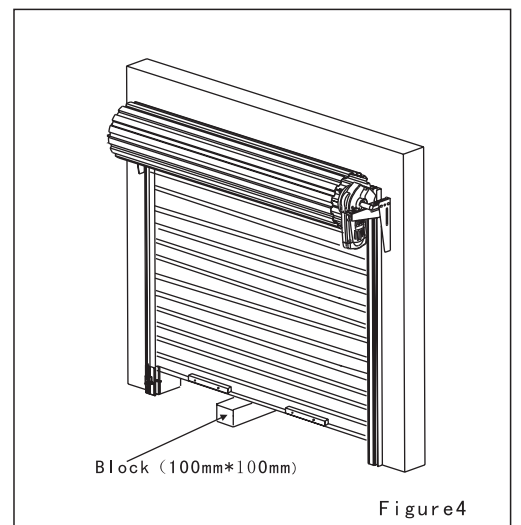


Figure4

5.4 Press O/S/C Button to close the door, while the door is moving, gradually turn the Close Force Shaft (V2) anti clockwise until the door stops and reverse up before reaching the Bottom Limit.

5.5 Turn the Close Force Shaft (V2) clockwise 10 degrees.

5.6 Operate the door a few more times to make sure that the door can operate normally. If it does not, turn the V2 Shaft clockwise 10 degrees each time.

6. TESTING THE REVERSE SENSITIVITY FORCE(see figure4)

6.1 Open the door by press the (O/S/C) Button.

6.2 Place a 100mm x 100mm wood block on the floor and in the center of the door.

6.3 Close the door onto and in contact with the wood block, the door should stop and reverse to the pre-set Top Limit position.

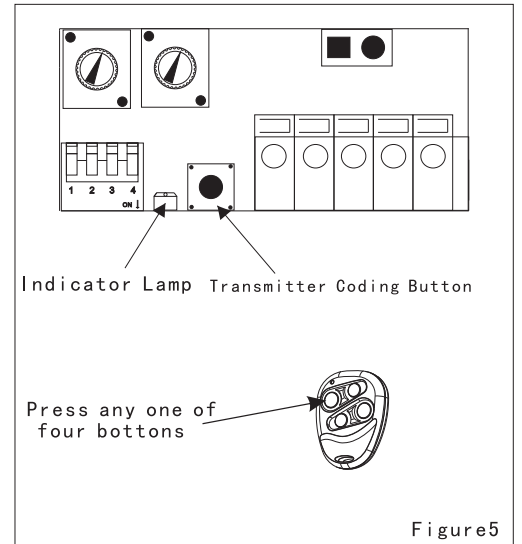


Figure 5

6.4 If the door fails to perform as described above, repeat Steps 5.3 to 5.6 above to re-adjust until satisfied with the testing.

7. TESTING THE OPEN FORCE

7.1 Press the (O/S/C) Button to open the door.

7.2 While the door is opening to half, hold it down firmly at the middle of the door bottom rail by hand to make sure the door would stop at a satisfactory force.

7.3 Should necessary, repeat Step 5 and adjust the Max Force until Satisfied with the testing.

8. PROGRAM THE TRANSMITTER INTO THE OPENER (see Figure5)

8.1 Code a transmitter into the opener.

- Press the Transmitter Coding Button (C) ONCE and the Coding Indicator Lamp switches on (see Figure 5);

- Press the same Button on the transmitter that you want to code in TWICE. The first pressing will switch the Indicator Off and the second pressing will make the Lamp flash and then Off, it indicates the completion of the coding.

Note: You can code in up to 10 transmitters into the opener.

8.2 Erase all existing transmitter codes stored in the opener

- Press and hold the Transmitter Coding Button (C) for about 8 seconds until the Coding Indicator was turned OFF.

9. CONNECTING AN OPTIONAL INFRA RED BEAM DEVICE AND SET AUTO CLOSE

9.1 Connecting a Phoenix Infra Red Beam Device (Optional)

- Wire the Beam as shown at Figure 6 (for detail instruction, please refer to the instruction of the device) and connect to Terminals 2 and 3.

- Turn Dip-Switch No. 2 to OFF position.

9.2 Turn on the Auto Close function.

- Make sure that the Infra Red Beam device was fitted correctly.

- Turn Dip-Switch No. 3 to OFF position

(see Figure 6).

Note: The Auto Close would not function without fitting of the Beam device. Auto Close is activated at a time delay of about 45 seconds after the door is fully opened.

10. CONNECTING A HARD WIRED WALL CONTROL.

Note: requires Normally Open (N/O), dry contacts. Connect the two wires into the Terminal 4 and 5 respectively.(see Figure 6) .

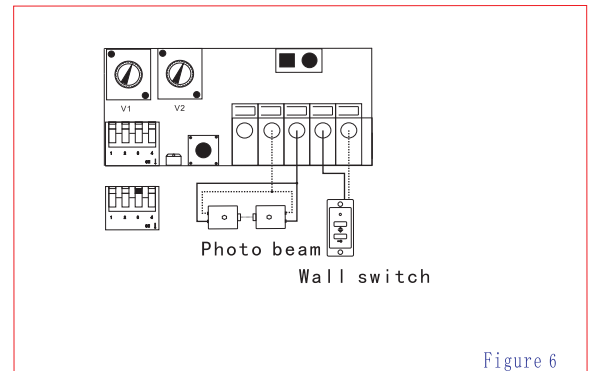


Figure 6



WARRANTY

For your operator warranty registration, please visit our website
www.phoenixgaragedoors.com.au/warranty-registration/