



Instruction Manual

LA-SDO1 Sectional garage door opener



INSTALLATION INSTRUCTIONS | OWNERS COPY



WARNING: It is vital for the safety of persons to follow all instructions. Failure to comply with the installation instructions and the safety warnings may result in serious personal injury and/or property and opener damage. Please save these instructions for future reference.

Sales Net Group Pty Ltd to the extent that such may be lawfully excluded hereby expressly disclaims all conditions or warranties, statutory or otherwise which may be implied by laws as conditions or warranties of purchase of an LiftAway Pty Ltd LA-RDO1 Roller Door Opener. Sales Net Group Pty Ltd hereby further expressly excludes all or any liability for any injury, damage, cost, expense or claim whatsoever suffered by any person as a result whether directly or indirectly from failure to install the LiftAway Pty Ltd LA-RDO1 Roller Door Opener in accordance with these installation instructions.



TABLE OF CONTENTS

Safety Warnings.....	4
Basic function introduction.....	6
Installation	7-12
Installation recommendations.....	13
Basic function setting and applying.....	14-15
Photo beam connection.....	16
Manual disengagement.....	17
Packing List.....	18
Technical specifications.....	18-19
Final notes.....	20
Important information for the user.....	20
Warranty information	20



SAFETY WARNINGS

1. **PLEASE READ CAREFULLY AND ADHERE TO ALL SAFETY AND INSTALLATION RECOMMENDATIONS.**
2. The opener is designed and manufactured to meet local regulations. The installer must be familiar with local regulations required in respect of the installation of the opener.
3. Unqualified personnel or those persons, who do not know the occupational health and safety standards being applicable to automatic gates and other doors, must in no circumstances carry out installations or implement systems.
4. Persons who install or service the equipment without observing all the applicable safety standards will be responsible for any damage, injury, cost and expense or claim whatsoever any person suffered as a result of failure to install the system correctly and in accordance with the relevant safety standards and installation manual whether directly or indirectly.
5. For additional safety we strongly recommend the inclusion of Photo Beam. Although the opener incorporates a pressure sensitive Safety Obstruction Force system the addition of Photo Beam will greatly enhance the operating safety of an automatic garage door and provide additional peace of mind.
6. Make sure that the garage door is fully open & stationary before driving in or out of the garage.
7. Make sure the garage door is fully closed & stationary before leaving.
8. Keep hands and loose clothing off the opener and garage door all the time.
9. The Safety Obstruction System is designed to work on STATIONARY objects only. Serious personal injury, death and / or property damage may occur if the garage door comes into contact with a moving object
10. **This appliance is not intended for use by persons (including children) with reduced physical, sensory or mental capabilities, or lack of experience and knowledge, unless they have been given supervision or instruction concerning use of the appliance by a person responsible for their safety. Children should be supervised to ensure that they do not play with the appliance.**



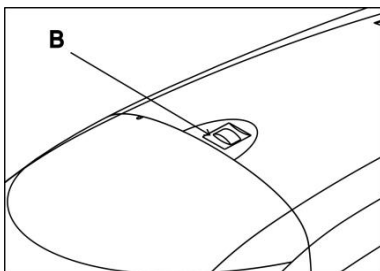
11. **Waste electrical products should not be disposed of with household waste. Please recycle where facilities exist. Check with your local authority or retailer for recycling advice.**
 12. **If the supply cord is damaged, it must be replaced by the manufacturer, its service agent or similarly qualified persons in order to avoid a hazard.**
- **WARNING: Important safety instructions. It is important for the safety of persons to follow all instructions. Save these instructions.**

- **Do not allow children to play with door controls. Keep remote controls away from children.**
- **Watch the moving door and keep people away until the door is completely opened or closed.**
- **Take care when operating the manual release since an open door may fall rapidly due to weak or broken springs, or being out of balance.**
- **Frequently examine the installation, in particular check cables, springs and mountings for signs of wear, damage or imbalance. Do not use if repair or adjustment is needed since a fault in the installation or an incorrectly balanced door may cause injury.**
- **Each month check that the drive reverses when the door contacts a 50 mm high object placed on the floor. Adjust if necessary and recheck since an incorrect adjustment may present a hazard, for drives incorporating an entrapment protection system depending on contact with the bottom edge of the door.**
- **Disconnect the supply when cleaning or carrying out other maintenance.**
- **The installation instructions shall include details for the installation of the drive and its associated components.**



Basic Function Introduction

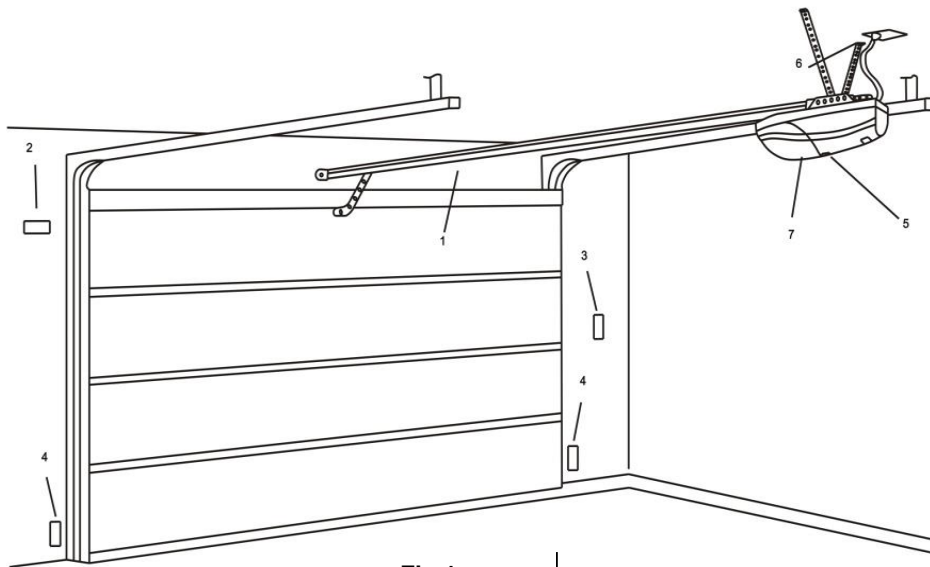
1. Soft start, soft stop
2. Minimize start-up load on garage door opener and garage door
3. Opening & closing force self-learning
4. Overloading force detecting, the door will reverse more than 15 cm automatically when it is overloaded when closing and will stop when it is overloaded when opening.
5. Safety resistance adjustable, with a wide range, sensitive and reliable.
6. Low-voltage protection, the process will not perform any action of opening and closing when voltage is too low, door panel and controller won't be damaged.
7. Rolling code frequency
8. Auto-closing feature.
 - a. **NOTE: It is compulsory to install a photo electric beam if auto close ode is selected, otherwise the door may cause personal injury or damage to property. Auto close time is adjustable.**
9. Metal chassis
10. Backup battery interface available, in case of power failure.
11. Wall switch interface available.
12. O/S/C button **B**, make adjustments, maintenance and emergency opening or closing easier.





Installation

- 1) Read the instruction carefully.
- 2) Make sure the door structure is solid and suitable to be motor driven.
- 3) Make sure when the door is moving there are no friction points.
- 4) The door must be properly balanced and must be easily lowered and raised by hand.



Referring to Fig. 1 for recommended installation

- | | |
|----------------------------------|-----------------|
| 1) Track | 5) O/S/C button |
| 2) 24V DC flash light (optional) | 6) Power socket |
| 3) Wall switch (optional) | 7) Door opener |
| 4) Photo beam (optional) | |

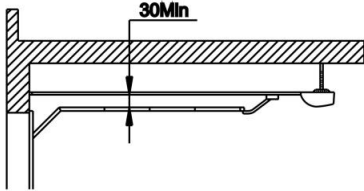


Fig.2

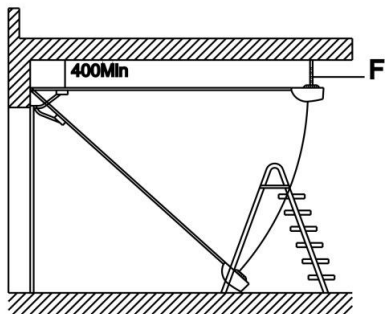


Fig.3

Maintaining a minimum gap of 30mm from the top panel's maximum height (Fig. 2).

Make sure the track is horizontal and vertical to the shaft. Make sure the connection of hanging bracket F and ceiling is firm enough (Fig. 3).

Warning: Make sure the opener is affixed to noggins in ceiling and not to plasterboard. Failure to have a safe and secure fixing will lead to opener falling, and can cause serious personal harm and /or property damage.

Sectional steel track assembly

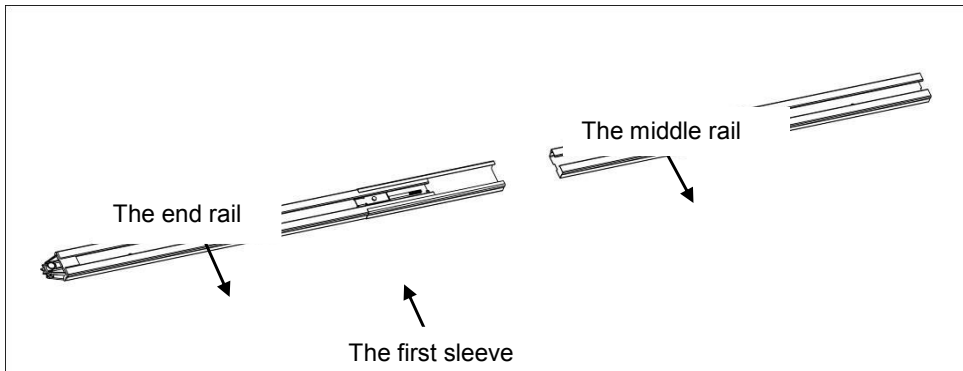


Fig. 5

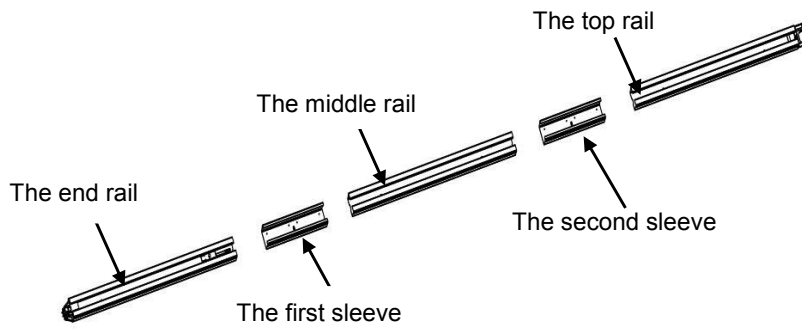


Fig. 6

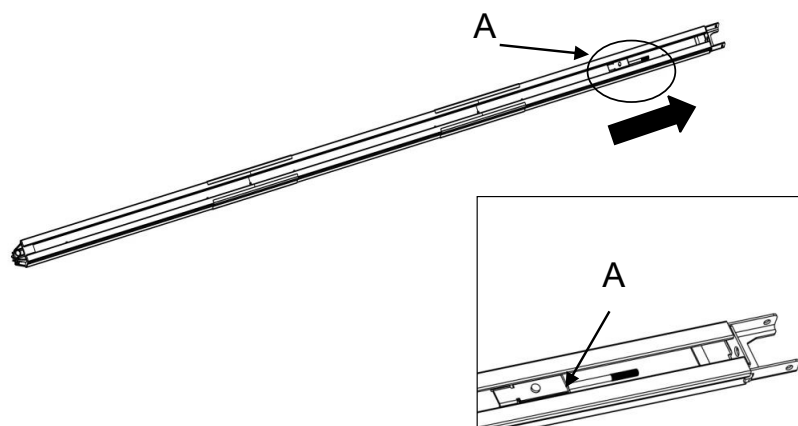


Fig. 7

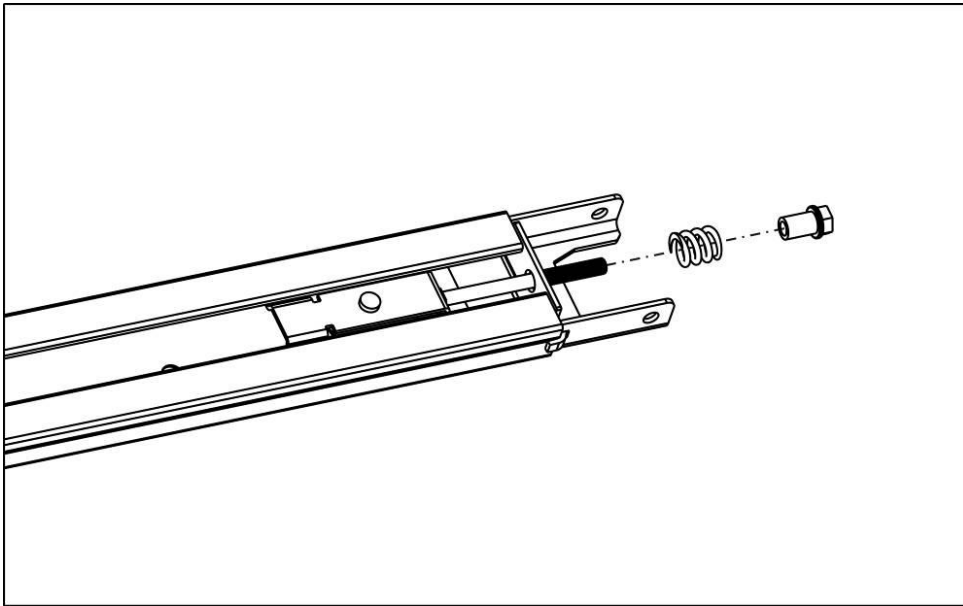


Fig. 8

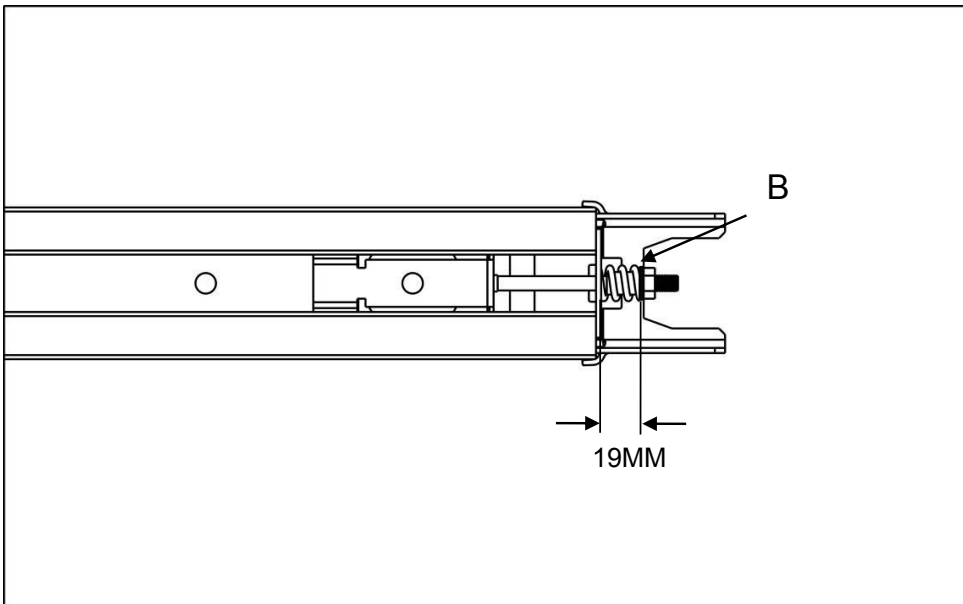


Fig. 9



1. As Fig.5, slide the end rail into the 1st sleeve, slide the middle rail into the 1st sleeve;
2. As Fig.6, slide the 2nd sleeve to the other end of middle rail, slide the top rail into the 2nd sleeve;
3. Remove the plastic film on the end rail, cut the plastic cable tie on the screw rod "A";
4. As Fig.7, pull the screw rod "A" along with inner chain to the end of top rail ;
5. As Fig.8, undo the nut & spring;
6. Tight the nut to the right position as shown in Fig.9, cut the plastic cable tie on sprocket. Rail is now assembled.

Installation

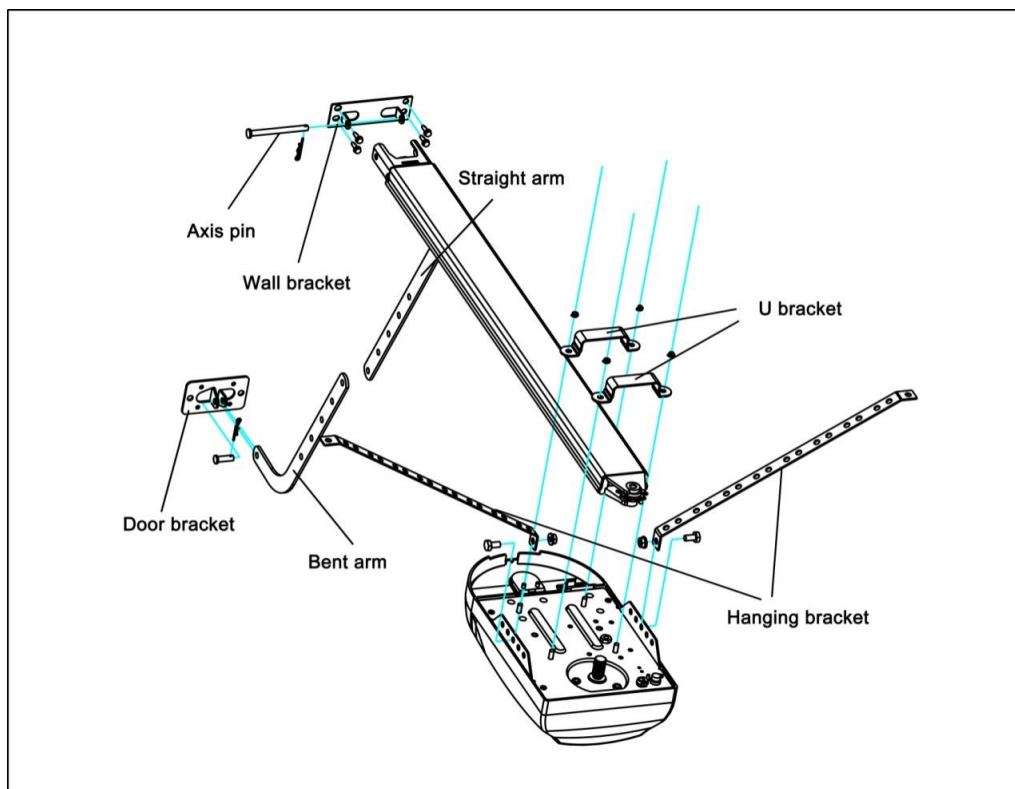


Fig. 8

1. Fix the track bracket to the wall 2cm-15cm over the shaft or intermediate bracket (depending on the actual installation space).

2. Fix the steel track to the wall bracket with axis pin. (Fig. 4)
3. Fix garage door opener to the track utilising the U bracket. Do not over tighten – use 2nm of fastening force.
4. Fix the opener on ceiling using hanging bracket.

Notice: Make sure the track is horizontal and vertical to the shaft. Make sure the connection of hanging bracket and ceiling is firm enough.

5. Affix the clutch cord.
6. Release the clutch, try to open and close the door by hand. Make sure there is no resistance between door panel and track.
7. Connect the opener with power and adjust the operation as per instructions below.



Installation recommendations

Remember there are specific standards that have to be strictly followed regarding the safety rules of electrical installations and automatic gates and doors.

As for the legal requirements and standards that must be adhered to, please take notice of the following points to ensure maximum safety and reliability of your installation.

1. Before installing, check the surrounding environment and carefully evaluate any potential hazards.
2. Check the main voltage numbers is the same as the numbers that are given on the rating plate and in this manual.
3. Check and make sure if there is suitable electrical protection against short circuits/power spikes and a properly earthed on the main supply.

Remember the unit has main voltage running through it, so caution must be taken to avoid electrocution and fire hazards.

4. Take care with the control unit; the parts may be subject to damage if the control unit is abused.
5. Make sure that you have all the necessary materials, and they are suitable for this kind of use.
6. Read all the instructions thoroughly, and make sure they are understood before attempting to install the opener.
7. Before starting the installation carefully analyse all the risks relating to automating the door. Verify that the door is automated in a sound condition and that the mechanisms are in good working order. Observe the safety margins and minimum distances.
8. Carefully evaluate the safety devices to be installed and the right place to install them; always install an emergency stop device for power interruption to the opener if it is required.
9. Once the risks have been analysed, install the opener and relative safety devices, emergency stop and/or photoelectric cells.

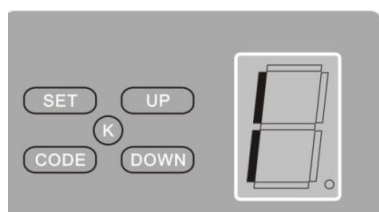
Important note: As for additional safety rules, we strongly recommends the fitting of Photo Electric safety beams on all installations.

10. While installing the opener, strictly follow all the instructions given in the instruction manual. If some points or procedures in this manual are not very clear, do not install the unit until all doubts have been cleared up with our technical department.

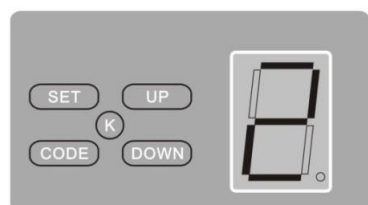


Basic function setting and applying

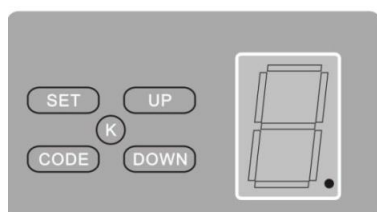
1. Travel limit setting Opening & closing force self-learning



Press 'SET' button and hold on until the LED displays figure '1', then adjust the up limit by pressing 'up' button. Fine-tuning 'up' or 'down' button to determine the final up limit position then press 'set' button the display turn into '2' automatically. Adjust the down limit by pressing 'down' button. Fine-tuning 'up' or 'down' button to determine the final down limit position then press 'set' button. The opener will operate a cycle automatically to remember the limit positions and the opening & closing force.



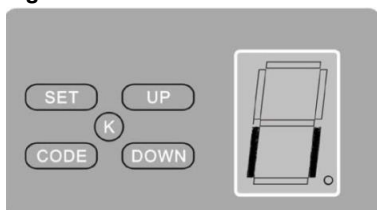
2. Matching the receiver and transmitter



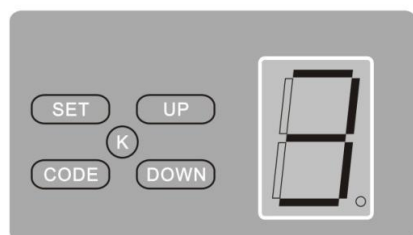
Press 'CODE' button and hold on until the LED dot is on. (Fig. A) Then press any button on the remote once, the dot will extinguish; press the button again the dot will fast flash then LED displays '11' (Fig. B). After that the remote will be available.

Press 'CODE' button more than 8 seconds until the LED displays 'C', all the stored codes will be deleted.

Fig. A

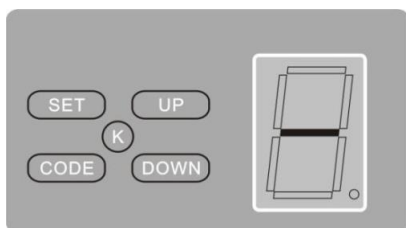


3. Safety reverse force adjustment



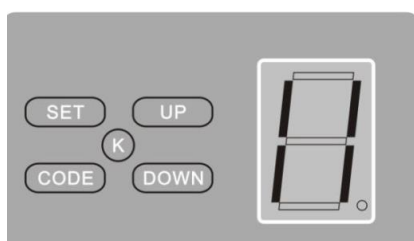
Press 'SET' button and hold on until the LED displays '3'. It's under force adjustment mode. Press 'UP' button to increase the force and 'DOWN' button to decrease the force. The maximum force is 9 and the minimum is 1. Press 'SET' button to confirm.

4. Auto-close setting



Press 'UP' button and hold on until the LED displays '-'. Press 'up' button once, the auto-close time will increase 1 minute, the maximum time is 9 minutes. Press 'down' button the auto-close time decrease 1 minute. The auto-close function will be turned off when LED displays 0. Press 'SET' button to confirm.

5. Photo beam setting (optional accessory)



Press 'DOWN' button and hold on until the LED displays '11', press 'UP' button the LED displays 'H', photo beam function is available. Press 'DOWN' button the LED displays '11' to cancel this function. When setting is finished, press 'SET' to confirm. When connecting pulsed quantity control infrared sensor, wire as per Fig. 9. When infrared sensor is controlled by which value, wiring as Fig. 10. Notice: Close the photo beam function when not utilising the photo beam sensor.

6. O/S/C Terminal

Connecting a touch off switch to this terminal, you can use the switch when maintaining or the transmitter is left in garage.



Photo beam connection (Optional accessory)

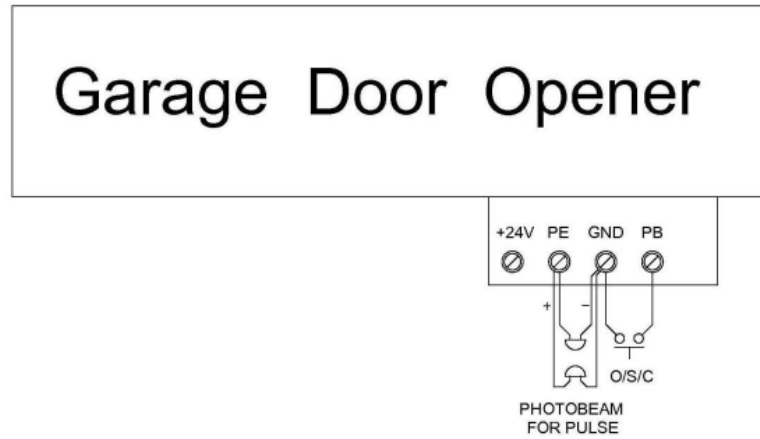
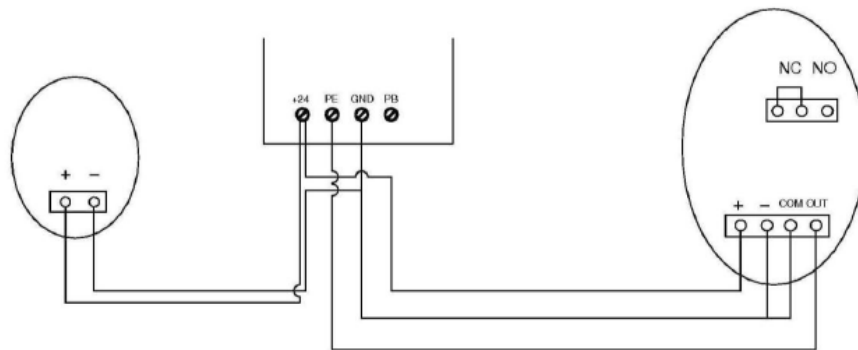


Fig. 9



Connection of photo beam/switch control

Fig. 10



Manual disengagement

The opener is equipped with a manual release cord to disengage shuttle and move door by hand while holding the handle down (Fig 13). Pull on the handle to disengage the shuttle. To re-engage the door simply run opener in automatic mode or move door by hand until the trolley engages in the chain shuttle. In some situations that a pedestrian door is not in state, it is recommended that an external disengagement device should be fitted (Fig 14).

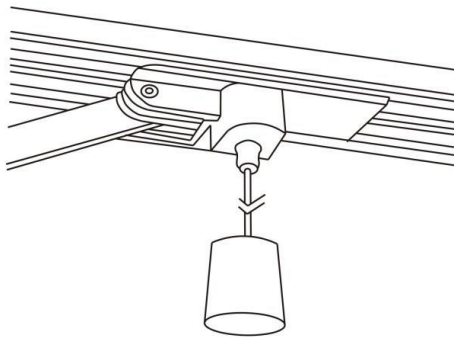


Fig. 13

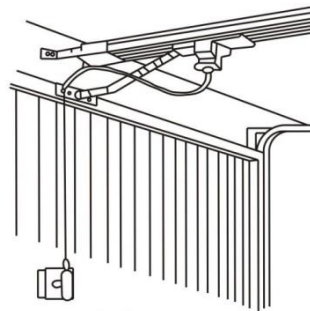


Fig.14

Maintenance

1. Check the door at least twice a year if it is properly balanced and all working parts are in good working condition or not.
2. Check the reversing sensitivity at least twice a year, and adjust if it is necessary.
3. Make sure that the safety devices are working effectively (photo beams, etc.)
4. Light bulb replacing:

Notice: Make sure the power supply has been cut off before replacing the light bulb. And ensure the voltage of the new light bulb is in accordance with the local voltage and the power is within 25 Watt. Demount the screws on the lamp cover. Take the lamp cover away then twist off the old light bulbs anti-clockwise. Fix the new lamp bulb and lamp cover.

Notice: A rude operating door can affect the life of the automatic opener due to incorrect loads, and will void the warranty.

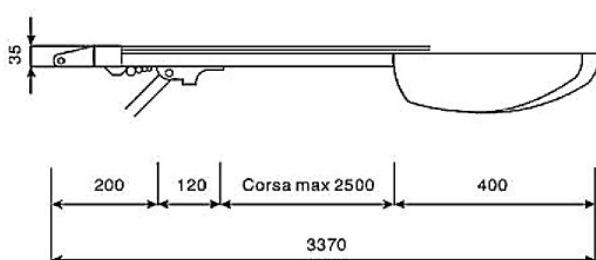
Packing list

Item	Quantity
Door opener	1
Track (incl. Clutch)	1
Remote control	2
Remote control wall holder	1
Door bracket	1
Wall bracket	1
"U" bracket	2
Hanging bracket	2
Clutch cord	1
Cord pendant	1
Bent arm	1
Straight arm	1
Fixing kit	1

Technical specifications

Model	LA-SDO1
Power Input:	200-240V AC 50/60Hz
Output power:	235W
Max force:	800N
Open/Close speed:	0.15m/s
Lamp:	LED, 24V DC
Light time:	3 minutes

Decoding:	Rolling code
Transmitter power:	23A 12V battery
Radio frequency:	433.92MHz or other on request
Working temperature:	-20°C~40°C
Relative humidity :	<90%
Max door area :	12m2
Dimensions:	400 x 250 x 150mm



Sectional steel track accessory list

Item	Quantity
Bracket for door panel	1
Clutch cord	1
Cord pendant	1
ø 1.8×38 Cotter pin	3
ø 8×25 axis pin	2
M6X14 hexagon head bolt	2
M6 flange	2
M6 nut	5
M6 flat washer	4
M6 split washer	4
M8X16 hexagon head bolt	6
M8 flange	6
Motor bracket	2
ø8*90 axis pin	1



Final notes

This manual is only used by those who are qualified to carry out the installation. No given information in this manual can be considered of any interest to the end user. It is important for the installer to show their clients correct operation using of the opener including the using of manual disengagement cord. Inform the owner about the need of a regular and accurate maintenance, especially regarding a regular check of the safety and reversing devices.

Important information for the user

Once the opener has been installed, the user must be informed about how it works and all the risks that can arise if it is used improperly. The user must avoid placing himself/herself in dangerous situations such as standing within the door's operating range when it is moving.

Do not let children play near the door, and keep the remote controls out of their reach. All services, repairs or checks must be carried out by professionally qualified persons, and noted on a maintenance register kept by the user.

IMPORTANT NOTE: In the case of a malfunction the user must call an authorized installer and should not attempt to repair it by yourself.

Warranty:

Our range of openers come with a 3 year warranty that covers any electronic failure resulting from reasonable usage of the product. This offer is unique to the Liftaway brand and is an expression of our commitment to both the quality of products and our service to our customers. Claims made under this warranty must be made within two calendar years from the date of purchase. To make a claim under warranty, take the products (with proof of purchase) to the store where you purchased the product or contact Sales Net Group Pty Ltd (at your expense).

Sales Net Group will either provide a refund or replacement of the returned item under this warranty. The warranty is provided in addition to other rights and remedies you may have under law. Our goods come with guarantees which cannot be excluded under the Australian Consumer Law. You are entitled to a replacement or refund for a major failure and compensation for any other reasonably foreseeable loss or damage. You are also entitled to have the goods repaired or replaced if the goods fail to be of acceptable quality and the failure does not amount to a major failure. This warranty is given by Sales Net Group ABN 52 156 341 712, 4 Keysborough Close, Keysborough, Victoria, 3173. Ph 1800 506 247