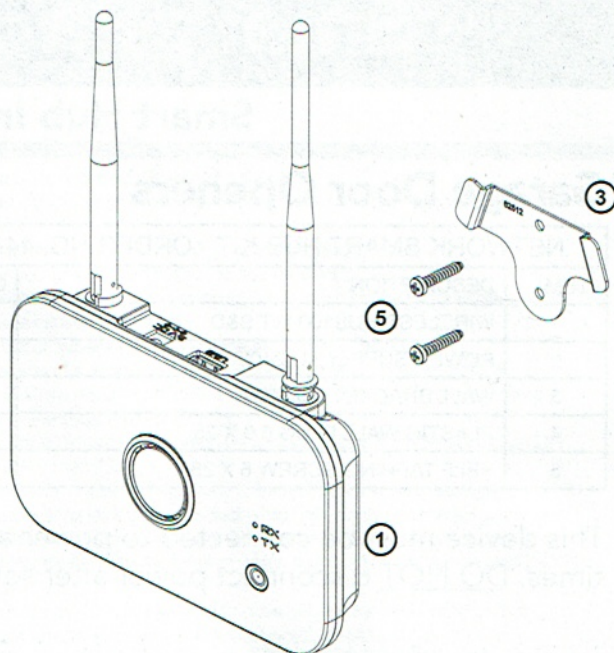


Smart Hub Set Up

Mounting the Hub

- Determine whether you are going to wall mount the hub.
 - If hub is to be placed on bench, simply connect to power supply (2), turn on and proceed to installing the Transceiver.
 - If hub is to be wall mounted follow steps below.
- To wall mount - Use wall bracket (3) as template to mark where to drill holes. Pre-drill holes.
 - For plaster walls - insert (2) two Plastic wall plugs (4) into holes, place wall bracket over holes and affix with (2) two self tapping screws (5).
 - For brick walls - place wall bracket (3) over holes and affix with (2) two self tapping screws (5).
- Slide the hub over the bracket.
- Connect the power supply (2) and turn on.



This device must be connected to power at all times. DO NOT disconnect power after setup.

Roller Door Opener Set Up

GDO-6

Preparation of Opener

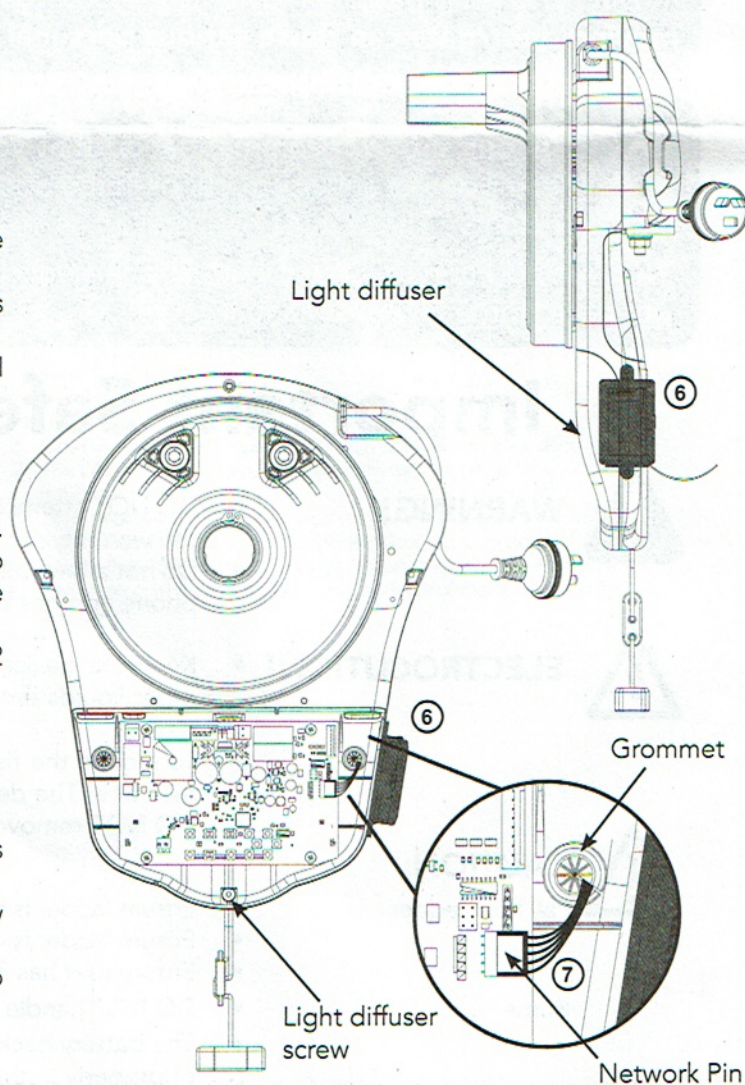
- Disconnect the power supply to the opener.
- Remove the light diffuser via screw at the bottom.
- Remove the grommet out of the back cover.
- Cut (1) one side of the grommet with a knife or scissors.
- Slide the network timing harness (7) into the cut in the grommet.
- Refit grommet to back cover by sliding the harness through hole before fitting grommet.
- Connect the harness to the network pin on the control board.
- Refit the light diffuser.

Mount and connect Transceiver

- Plug the other end of the harness into the transceiver (6).
- Place the transceiver (6) on the side of the opener to the black, back cover so that the screw holes on the transceiver line up with those on the back cover.
- Secure transceiver using the (2) two Taptite M4 x 12 screws (8) or velcro (9).

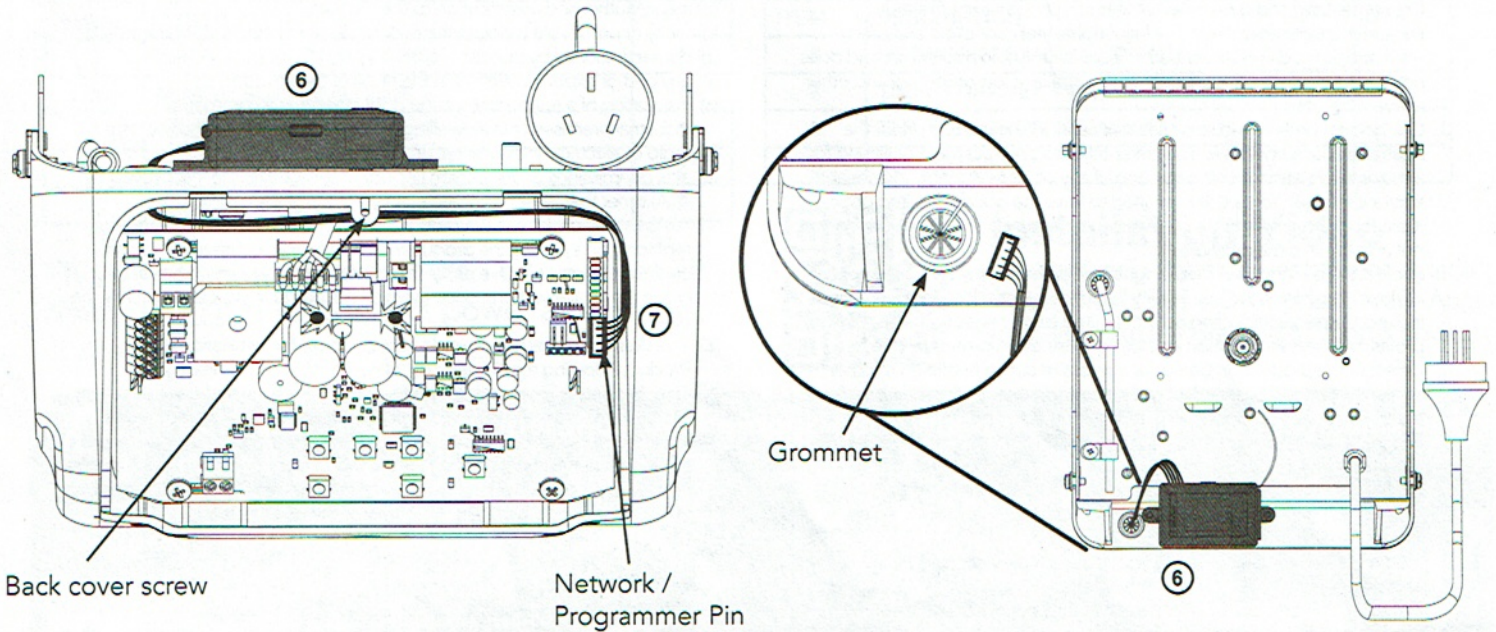
Re-setup and Test the Opener

- Reconnect power and remove the button cover.
- Setting Limits:
 - If limits have not been set, follow the openers installation sheet to set limits.
 - If limits were set previously, clear limits and follow openers installation sheet to set limits.
- Refer to the Smart Phone Control Kit User Guide to set up network capabilities.

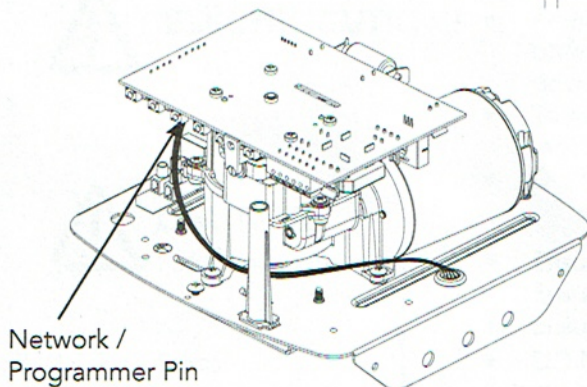
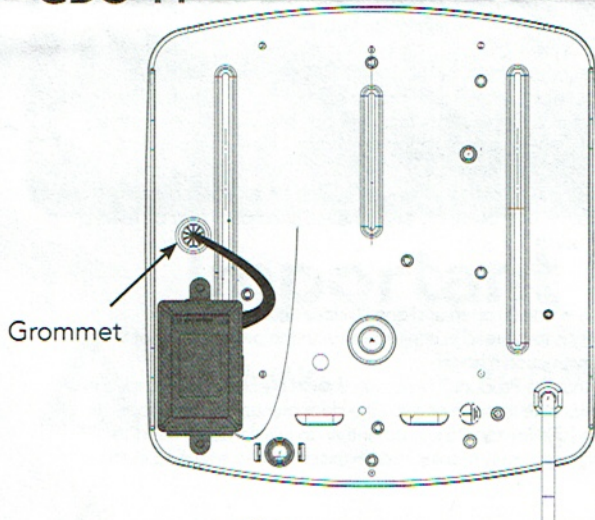


Sectional Door Opener Set Up

GDO-9V2, GDO-9V3 and GDO-11



GDO-11



Preparation of Opener

- Disconnect the power supply to the opener.
- Remove the cover or back cover via screw at top.
- Remove the grommet out of the chassis.
- Cut (1) one side of the grommet with a knife or scissors.
- Slide the network timing harness (7) into the cut in the grommet.
- Refit grommet to chassis by sliding the harness through hole before fitting grommet.
- Connect the harness to the network / programmer pin on the control board.
- Refit the cover.

Mount and connect Transceiver

- Plug the other end of the harness into the transceiver (6).
- Using the velcro (9) stick the transceiver (6) on the top of the opener as shown.



WARNING: DO NOT drill into the chassis or covers. No screws are required to secure the transceiver.

Re-setup and Test the Opener

- Reconnect power and remove the button cover.
- Setting Limits:
 - If limits have not been set, follow the openers installation sheet to set limits.
 - If limits were set previously, clear limits and follow openers installation sheet to set limits.
- Refer to the Smart Phone Control Kit User Guide to set up network capabilities.