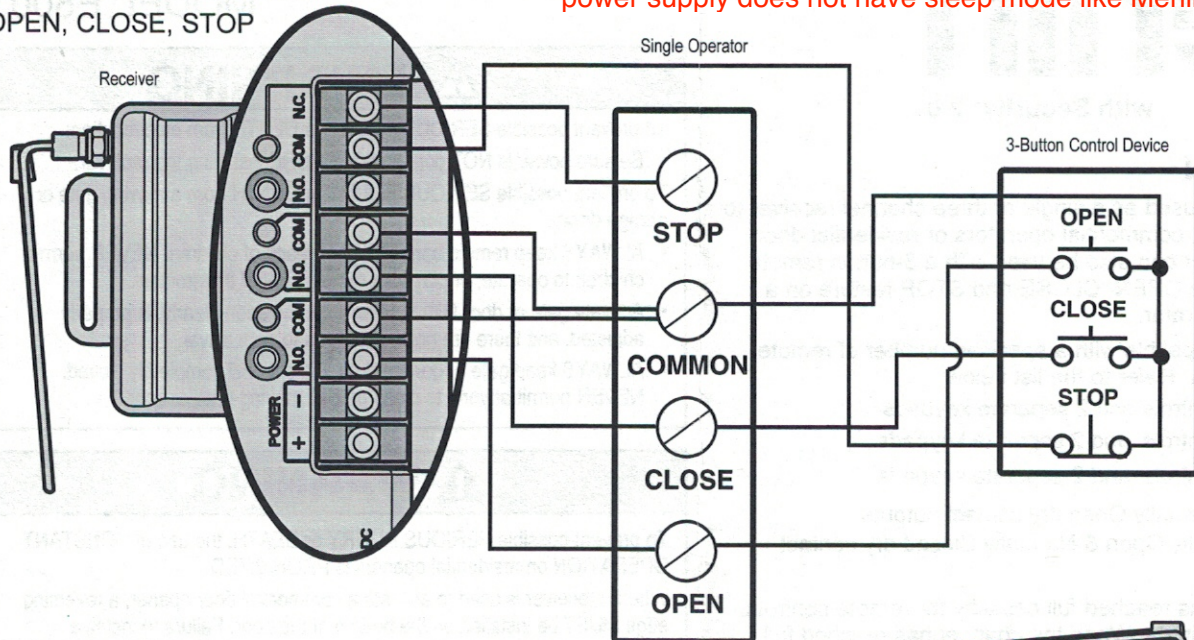


## WIRING CONTINUED

OPEN, CLOSE, STOP

When adding Receivers to motors, check that the motor's power supply does not have sleep mode like Merlin has.



## PROGRAMMING

### PROGRAM A SINGLE BUTTON REMOTE CONTROL

- 1 Press and release the Learn button for the selected channel on the receiver. The corresponding LED will glow steadily for 30 seconds.
  - 2 Within 30 seconds press and hold the button on the remote control that you wish to program to the receiver.
  - 3 Release the remote control button when the LED on the receiver blinks, then turns off. Programming is complete.
- Repeat the steps above for each remote control you would like to program.

### PROGRAM A 3-BUTTON REMOTE CONTROL AS OPEN, CLOSE, AND STOP

- 1 Press and release the CH1 Learn button on the receiver.
- 2 Within 30 seconds press the desired OPEN button on the remote control.
- 3 Press and release the CH2 Learn button on the receiver.
- 4 Within 30 seconds press the desired CLOSE button on the remote control.
- 5 Press and release the CH3 Learn button on the receiver.
- 6 Within 30 seconds press the desired STOP button on the remote control.

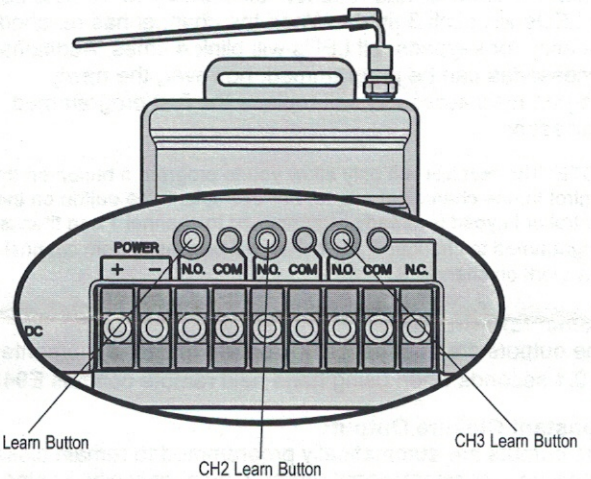
NOTE: If a remote control button is not pressed within 30 seconds, the LED next to the selected Learn button will turn OFF. In that case, repeat the programming.

### TO ERASE THE MEMORY

- 1 Press and hold the Learn button for the channel you want to erase. Release the button when the corresponding LED turns off; the memory has been erased.

FOR TECHNICAL SUPPORT DIAL OUR TOLL FREE NUMBER:

1800 638 234



## SPECIFICATIONS

Contact Rating . . . . . 5 Amps 28 Vac or dc Max.  
 Power . . . . . 9-30V AC or 12-40 VDC, 50mA  
 RF Frequency: . . . . . 433MHz

NOTE: If your operator does not meet the power specifications you will need a low voltage power supply.  
 For indoor installation only.

## COMPATIBLE ACCESSORIES

Remote Controls . . . Models E960M, E945M, E940M, E943M  
 Keypads . . . . . Models E840M  
 Wireless Wall Controls . . . . . Models E128M, E138M  
 Antenna Extension Kits . . . . . Models 86LM  
 Antenna Only . . . . . K77-36541

CHAMBERLAIN AUSTRALIA PTY LTD  
 PO BOX 1446  
 LANE COVE NSW 1595  
 PHONE TOLL FREE: 1800 638 234

CHAMBERLAIN NEW ZEALAND LTD  
 PO BOX 100221  
 NORTH SHORE 0745  
 PHONE TOLL FREE: 0800 MERLIN

gomerlin.com.au  
 gomerlin.co.nz



114A4463C