

KPX-5 Wireless Digital Keypad Instruction Manual

Thank you for purchasing the ATA SecuraCode® Wireless Digital Keypad. Familiarise yourself with the following instructions prior to commencing set up. Store this information including codes in a safe place for future reference.

OPERATION

To open a door or gate using the keypad transmitter simply enter a valid code via the numerical buttons followed by one of the programmed channel buttons. Up to 20 individual codes can be stored in the keypad's memory.

The keypad is supplied with a factory preset code (1111) which must be changed to a new number before the keypad will operate. A code can be any 4-8 digit number except 8888 8888. Refer to the initial set up sequence below.

INITIAL SET UP

1. Press and hold Channel 1 (CH1) (Fig. 1) until a long beep is heard.
2. Press 1111 then CH1.
3. Enter new code (eg 1234) then CH1.
4. Repeat Step (3) (within 3 seconds) to confirm.

CODING THE KEYPAD INTO THE OPENER

1. Press and hold the blue Door Code button on the control panel of your ATA garage door opener (Fig. 2) or SW1/SW2 on the receiver board (Fig. 3 & 4).
2. Enter your PIN code then press one of the four channel buttons (CH1 - CH4) you wish to use to operate the door or gate etc.
3. Press the same CH button again.
4. Release Door Code or SW button. The CH button should now be stored into the opener's memory.
5. Test operation of the Keypad. Enter a valid code followed by the stored CH button.

Note: You only need to program the CH button once as all users will have the same access privileges once a valid code has been entered.

ADDING AN ADDITIONAL PIN CODE

A user code can be any number of 4 to 8 digits except 1111 or 8888 8888.

1. Press and hold CH4 until a long beep is heard.
2. Enter any existing code followed by CH4.
3. Enter the new code followed by CH4.
4. Repeat step 4 to confirm.
5. Test operation using the new code.

CHANGING A STORED CODE

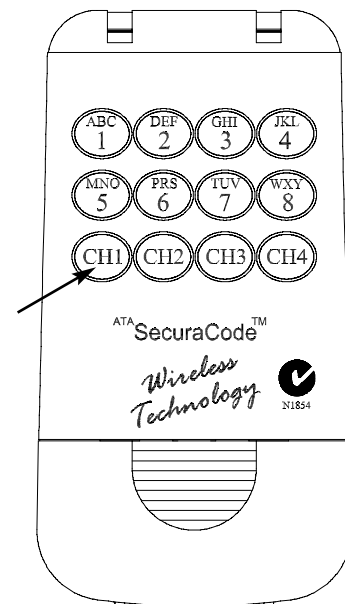
One code must remain in memory for adding, changing or deleting additional codes.

WARNING: Changing a code to 8888 8888 will delete it.

Note: There is a timeout of approximately 10 seconds after the last button is pressed.

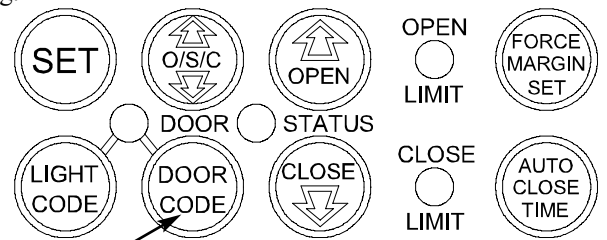
1. Press and hold CH1 until a long beep is heard.
2. Enter the code that is to be changed followed by CH1.
3. Enter the new code followed by CH1.
4. Repeat step 3 (within 3 seconds) to confirm.
5. Test operation using the new code. You should hear a continuous string of beeps.

Fig. 1



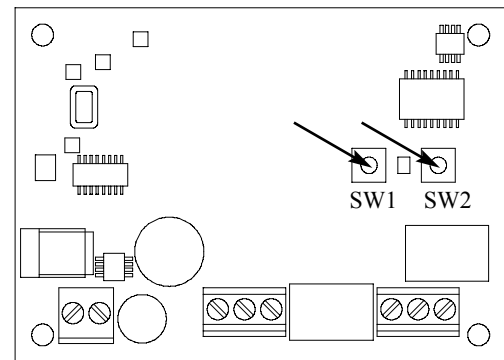
KPX-5 Wireless Digital Keypad

Fig. 2



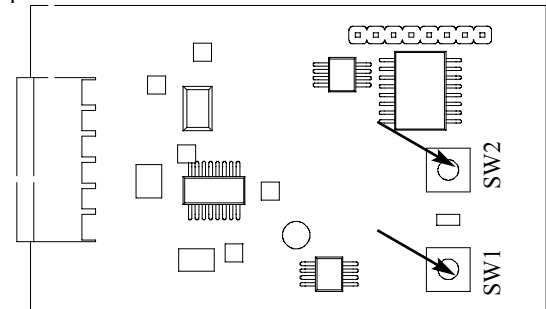
GDO-2 & GDO-4 Garage Door Opener Control Panel

Fig. 3



CRX-2 Stand Alone Receiver

Fig. 4



RX-2 Receiver Board

