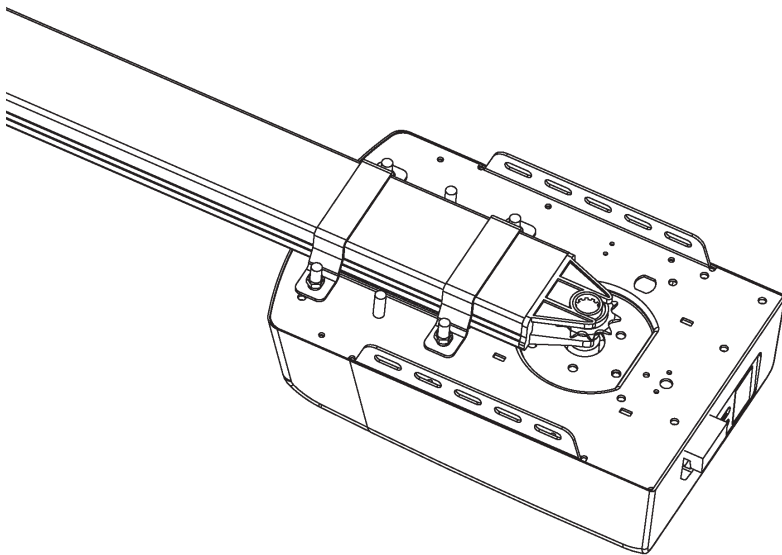


PRO Series

Residential Overhead Garage Door Opener



Doc # 160088_02
Released 22/10/18

CSI CLASSIC

Table of Contents

Installation Instructions

Installation Safety Warnings	4
Pre-Installation Requirements	6
Kit Contents	7
Mount Wall & Door Bracket	8
Attach Opener to Track	8
Install Steel Track	9
Programming Instructions	10
Programming OPEN and CLOSE Limits	10
Programming Hand Transmitters	11
Deleting Stored Hand Transmitters	11
Obstruction Force Adjustment	11
Automatic Closing	12
Programming	13
Photo Beam connection	13
Photo Electric Safety Beams	13
Other Terminals	14
OPEN / STOP / CLOSE Terminals	14
Introduction and Application	14

Home Owner Instructions

Home Owner Safety Warnings	16
Opener Safety and Security	18
Your Door CAN NOT be used by the opener when:	18
Your Door CAN be used when:	18
To Disengage the Opener:	18
To Re-Engage the Opener:	18
Test the Manual Door operation:	18
Maintenance	19
Door Maintenance	19
Safety Testing	19
Light bulb replacing	19
Troubleshooting	20
Warranty	22

Installation Safety Warnings

This automatic garage door opener is designed and tested to offer safe service provided it is installed and operated in strict accordance with the following safety warnings. Failure to comply with the following instructions may result in death, serious personal injury or property damage.



WARNING!

- The door may operate unexpectedly, therefore do not allow anything to stay in the path of the door.
- When operating the manual release while the door is open, the door may fall rapidly due to weak or broken springs, or due to being improperly balanced.
- The drive must not be used with a door incorporating a wicket door, unless the drive cannot be operated with the wicket door open.
- The drive is intended to be installed at least 2.5m above the floor.
- Do not disengage the opener to manual operation with children/persons or any objects including motor vehicles within the doorway.
- If the door is closing and is unable to re-open when obstructed, discontinue use. Do not use a door with faulty obstruction sensing.



ELECTROCUTION!

- Place opener in protected area so that it does not get wet.
- Do not spray with water.
- Disconnect the power cord from mains power before making any repairs or removing covers. Only experienced service personnel should remove covers from the opener.
- If the power supply cord is damaged, it must be replaced by an suitably qualified person.
- Connect the opener to a properly earthed general purpose 240V mains power outlet installed by a qualified electrical contractor.

**CAUTION:**

Emergency Access

Muscular strain

Fall from ladder

Crush injury from unsecured door

Garage Door

Entanglement

Entrapment under operating door

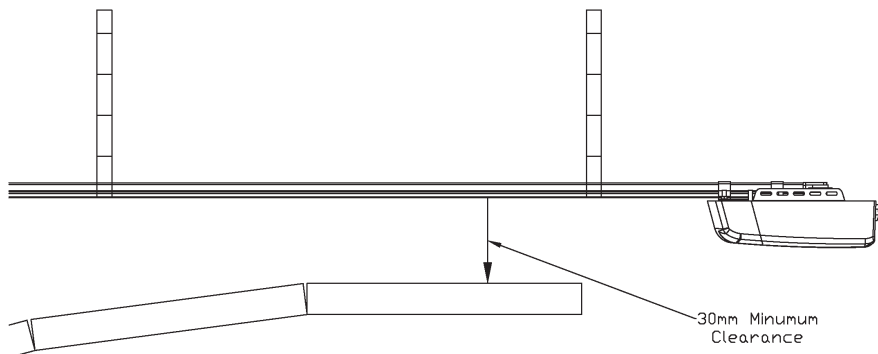
- If garage has no pedestrian entrance door, an emergency access device should be installed. This accessory allows manual operation of the garage door from outside in case of power failure.
- Practice correct lifting techniques (carton weighs approx 9kgs)
- Practice correct lifting techniques when required to lift the door as per installation instructions.
- Ensure ladder is the correct type for job.
- Ensure ladder is on flat firm ground that will take the weight without the legs sinking.
- Ensure user has 3 points of contact while on ladder.
- Place a 2 metre exclusion zone around area under the door while it is unsecured.
- Follow the installation instructions
- Examine the door installation, in particular, springs and mountings for signs of wear, damage and imbalance.
- The garage door must be well balanced. Sticking or binding doors must be repaired by a qualified garage door installer prior to installation of the opener.
- Remove or disengage all garage door locks and mechanisms prior to installation of the opener.
- Never plug in and operate opener prior to installation.
- Keep hands and loose clothing clear of door and guides at all times.
- DO NOT operate the opener unless the garage door is in full view and free from objects such as cars and children/people. Make sure that the door has finished moving before entering or leaving the garage
- In order for the opener to sense an object obstructing the door way, some force must be exerted on the object. As a result the object, door and/or person may suffer minor damage or injury.
- Ensure the garage door is in good working order by undertaking regular servicing.
- Install the optional wall transmitter in a location where the garage door is visible, but out of the reach of children at a height of at least 1.5m.
- Photo Electric beams must be installed if the closing force at the bottom edge of the door exceeds 400N (40kg)

Pre-Installation Requirements

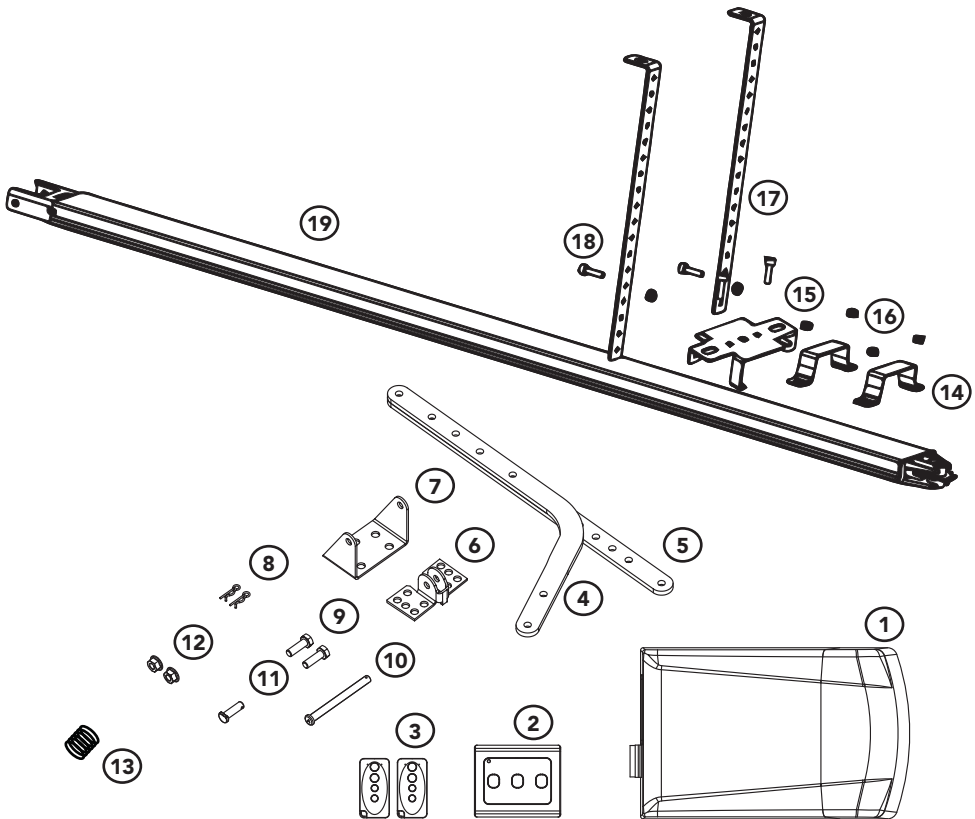
1. Garage door must be able to be lifted and closed easily by hand and without much effort. A well balanced & sprung door is critical for proper installation.
2. The garage door opener can't compensate for a badly installed garage door and should not be used as a solution for a "hard to open" door.
3. If the unit is being installed on an existing door, make sure any existing locking devices are removed or warranty will be void.
4. An approved outlet must be installed near where the opener is begin installed.
5. There should be a minimum gap of 30mm between the bottom of the chain drive rail and the top of the garage door at its closest point.



CAUTION! For additional safety, we strongly recommend the fitting of Photo Electric safety beams on all installations.

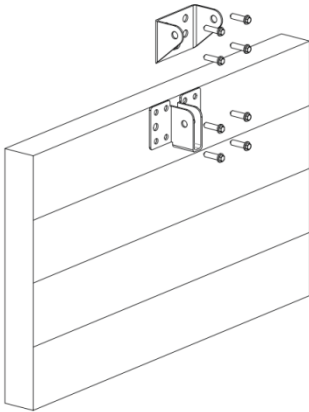


Kit Contents



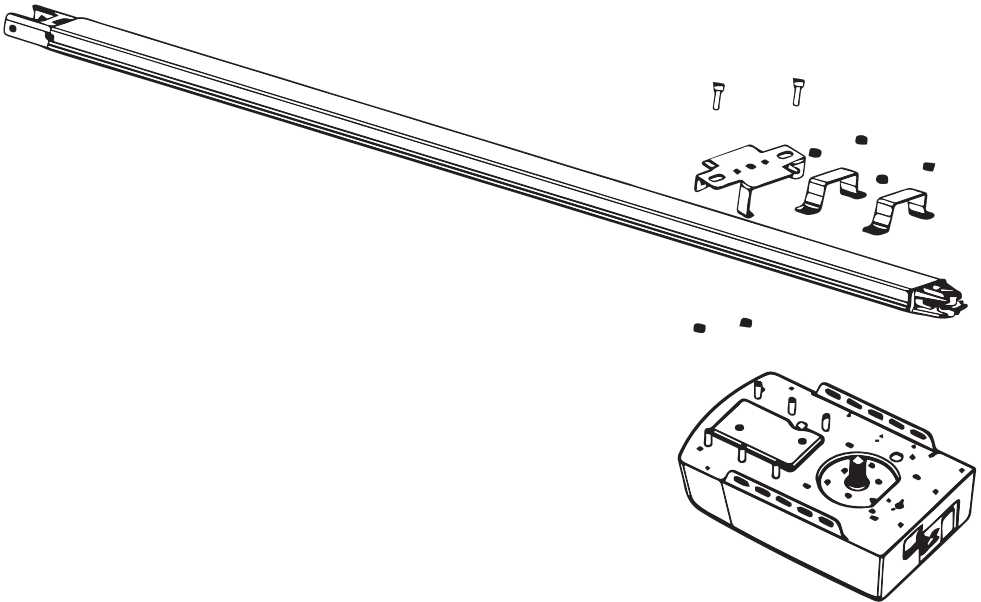
- | | | | |
|-----|----------------------------------|-----|---------------------------------|
| 1. | 1 x CSI-1 drive unit | 11. | 1 x Clevis Pin 0825 |
| 2. | 1 x Wall mount transmitter | 12. | 2 x Hex Serration flange nut M8 |
| 3. | 2 x Transmitters and batteries | 13. | 1 x Motor Shaft |
| 4. | 1 x Bent arm door attachment | 14. | 2 x U hanging Brackets |
| 5. | 1 x Straight arm door attachment | 15. | 1 x Click Bracket |
| 6. | 1 x Wall bracket TS01 | 16. | 6 x Hex Serration flange Nut M6 |
| 7. | 1 x Door bracket | 17. | 2 x Mounting Brackets |
| 8. | 2 x Pin Snap 1.8x32 | 18. | 2 x Hex screw M6 x 14 |
| 9. | 2 x Hex Head screw M8x16 | 19. | 1 x Track |
| 10. | 1 x Pin 0880 | | |

Mount Wall & Door Bracket



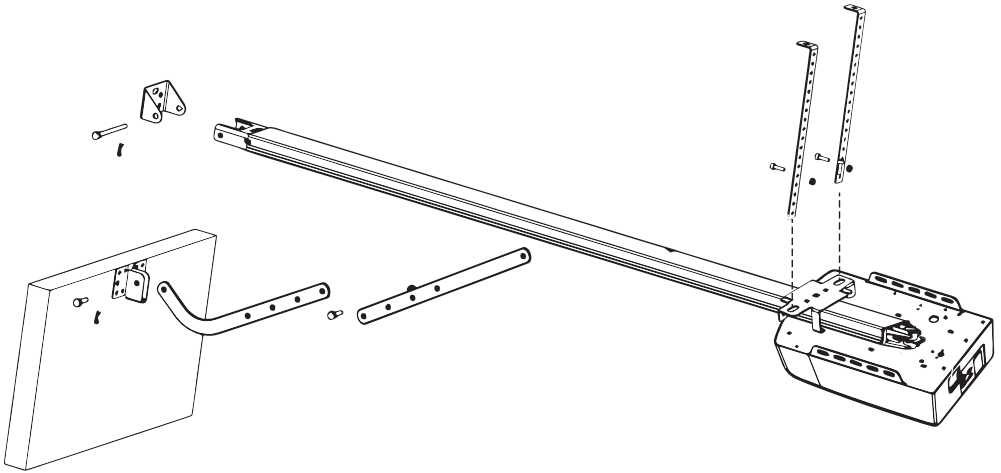
1. Wall Bracket - Close the garage door and measure the garage door width at the top and mark the centre. Locate and mount the wall bracket 2cm-15cm above the door on the inside wall. (Depend on the actual installation space).
2. Door Bracket – Fix the door bracket to a structural part of the door as close to the top edge as possible.

Attach Opener to Track



1. Attach the opener head to the steel track. Assembly the 2 “U” Hanging brackets with 6mm nuts supplied.
2. Attach the click bracket to the opener and track.

Install Steel Track



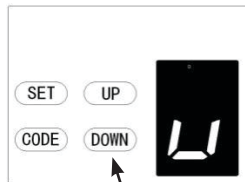
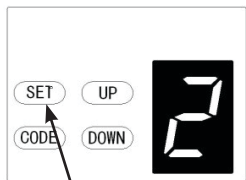
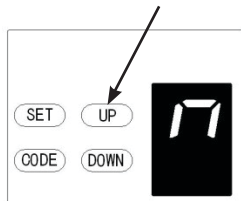
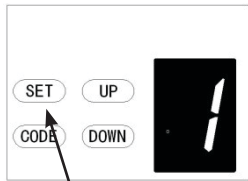
- Place the steel track and opener head assembly centrally on the garage floor, with the open head furthest away from the door. Lift the front of the track up to the door bracket. Insert the pivot pin and secure it with the clevis pin supplied.



WARNING: Do not allow children around the door, opener or supporting ladder serious injury and/or damage may result from failure to follow this warning.

- Install the mounting brackets to the ceiling.
- Lift and support the opener head (with a ladder) so it is positioned centrally and level. Fix the opener and track to the mounting brackets.
- Connect the straight arm to the bent arm with the bolt. Position and bolt the arms to the top edge of the door using the bolt supplied.
- Lift the garage door until the shuttle locks into the drive chain/belt. Now, ready to program the openers

Programming Instructions



Programming OPEN and CLOSE Limits

1. Press and hold SET Button until 1 appears on the display then release the button. The door opener is now in Programming Mode.

2. Press and hold the UP until the door reaches the desired open position.

NOTE: Fine adjustments can be made by toggling UP & DOWN buttons

3. Now press the SET button to confirm the position. The display will now indicate the number 2.

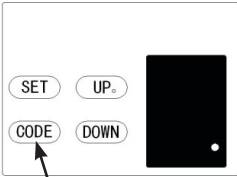
4. Next press and hold the DOWN button until the door reached the desired close position. For fine adjustments toggle UP & DOWN buttons.

5. Now press and hold the DOWN button until the door reaches the desired close position. For fine adjustments toggle UP & DOWN buttons.

6. Now press the SET button to confirm the close position.



WARNING: The door will now cycle open and close to set the travel limits and force sensitivity adjustments. The door is now set for normal operation.

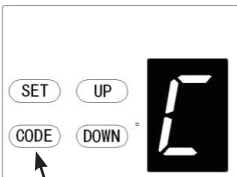


Programming Hand Transmitters

NOTE: Hand transmitters that are supplied with the door opener are pre-programmed.

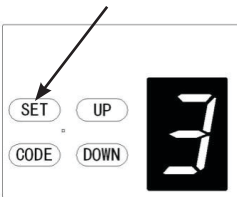
1. Press the CODE button. A dot will be indicated in the corner of the display.
2. Now press the button on the hand transmitter you want to use, pause for 2 seconds, then press the same button on the hand transmitter again for 2 seconds.

The dot on the display will flash to confirm the code, then turn off. Repeat the process for additional remotes that need to be stored.



Deleting Stored Hand Transmitters

1. Press and hold CODE button until a C is indicated on the display. All stored remotes will be deleted.



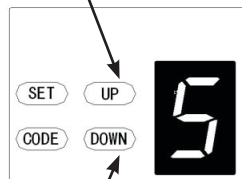
Obstruction Force Adjustment



CAUTION: The obstruction force adjustment is set automatically during programming. Normally no adjustment is necessary.

1. Press and hold the SET button until 3 appears on the display the release the button.
The unit is now in force adjustment mode.

Increase force



2. Press the UP button to increase the force setting or the DOWN button to decrease the force setting.
The minimum force is 1 and it can be adjusted upward.

Decrease force

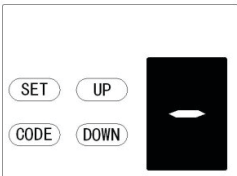
3. Press SET to confirm your setting.

NOTE: The force is set on 3 as standard in factory.

Programming Instructions



WARNING! It is compulsory to have Safety Beams installed when using Auto-Close mode.



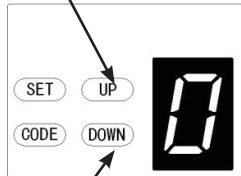
Auto Close enabled



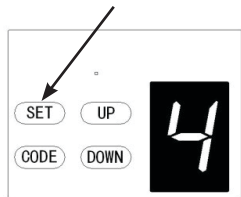
Auto Close disabled



Increase A/C time



Decrease A/C time



Automatic Closing

1. Press and hold UP button until a horizontal bar is indicated on the display. Now press UP button once to set the auto close time (in minutes).
2. Press UP button to increase the time, or DOWN button to decrease the time. The maximum time is 135 seconds. To disable Auto Close, set time to zero (0).
3. Press SET button to confirm the set.

Photo Electric Safety Beams

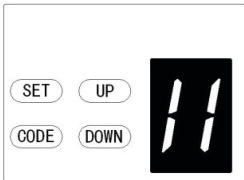


Photo Beam disabled

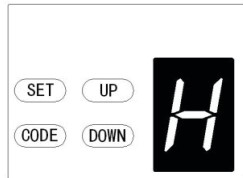


Photo Beam enabled

Programming

NOTE: Make sure the photo beam has been correctly installed and use Normally Closed contacts to the accessory terminals of the opener.

1. Press and hold the DOWN button until 11 appears on the display. To enable the photo beam option press UP again, the display will indicate a H (enabled) or press DOWN button to disable (display 11) the option.
2. Press SET to confirm the set.

Garage Door Opener

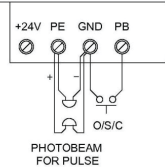
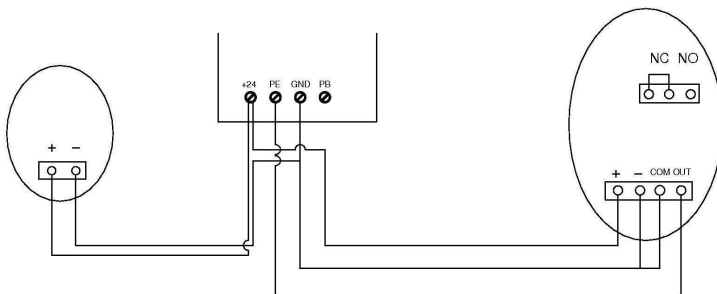


Photo Beam connection

1. Flash (Caution Light) should be less than 25W.
2. PB (External Push Button) should be "No".

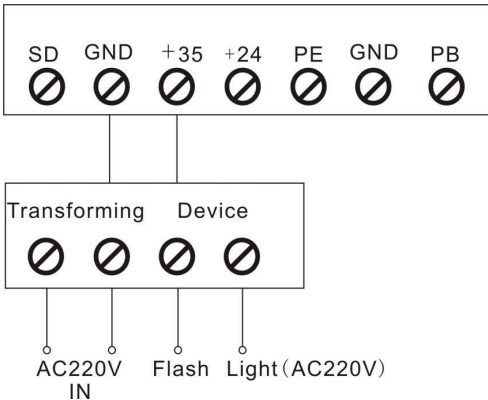


Connection of photo beam/switch control

Other Terminals

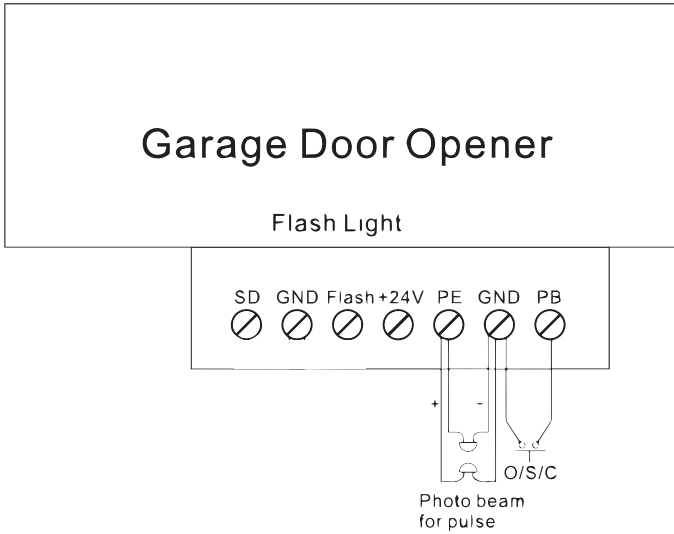
OPEN / STOP / CLOSE Terminals

The O/S/C facility can be used for an external push button switch to operate the opener. The switch must have voltage free normally open contacts.



Introduction and Application

1. The O/S/C interfaces available.
Add a new O/S/C button to open or close the door.
2. Flash Light function.
There are corresponding interfaces for this function and provide 24V-35V flash light voltage. Connect the flash light with DC 24V-28V, currents<100mA. When use AC 220V power flash lights, please match an adapter, and wiring as required.



ASS Terminal connection

Home Owner Safety Warnings

This automatic garage door opener is designed and tested to offer safe service provided it is installed and operated in strict accordance with the following safety warnings. Failure to comply with the following instructions may result in death, serious personal injury or property damage.



WARNING!

- When operating the manual release while the door is open, the door may fall rapidly due to weak or broken springs, or due to being improperly balanced.
- DO NOT disengage the opener to manual operation with children/persons or any objects including motor vehicles within the doorway.
- If the door is closing and does not re-open when obstructed, discontinue use. DO NOT use a door with faulty obstruction sensing.



ELECTROCUTION!

- Place opener in protected area so that it does not get wet.
- DO NOT spray with water.
- DO NOT open the protective covers.
- DO NOT operate opener if cable is damaged.
- Keep the garage door balanced. Sticking or binding doors must be repaired. Garage doors, door springs, brackets and their hardware are under extreme tension and can cause serious personal injury. DO NOT attempt any garage door adjustment. DO NOT use if repair or adjustment is needed. Call for a professional garage door service.



DO NOT DO IT YOURSELF

**CAUTION:**

Emergency access

Entrapment under
operating door

Fall from Ladder

Entanglement in or
laceration from
moving door

- If your garage has no pedestrian entrance door, an emergency access device should be installed. This accessory allows manual operation of the garage door from outside in case of power failure.
- Watch the moving door and keep people away until the door is completely opened or closed. DO NOT operate door when persons are near the door.
- DO NOT allow children to play with door controls or transmitters.
- Regularly conduct Open and Close cycle testing.
- Ensure the garage door is in good working order by undertaking regular servicing.
- Wall transmitters should be installed in a location where the garage door is visible, but out of the reach of children at a height of at least 1.5m.
- Install Safety Beams (recommended).
- Ensure ladder is the correct type for the job.
- Ensure ladder is on flat ground.
- Ensure user has 3 points of contact while on ladder.
- Keep hands and loose clothing clear of door and guides at all times.
- Keep hands clear of moving door as sharp edges can cause cuts or lacerations.

Opener Safety and Security

Your Door CAN NOT be used by the opener when:

1. There is a locking device installed.
2. There is a power failure.

Your Door CAN be used when:

3. There is an emergency, by disengaging the opener.
4. There is a power failure, by disengaging the opener.

To Disengage the Opener:

It is recommended to do so with the door in the closed position. Pull the manual release cord towards the door, until you hear a click. Move the door manually.



CAUTION: When the opener is manually disengaged, the door is no longer locked. To lock the door manually, re-engage the opener after the door is closed.

To Re-Engage the Opener:

Check the door has not been locked by a locking device. To re-engage the door simply run the opener in automatic mode or move door by hand until the trolley engages in the chain shuttle.



CAUTION: Do not use the string handle as a mechanism to open the door. Failure to comply may cause serious injury.

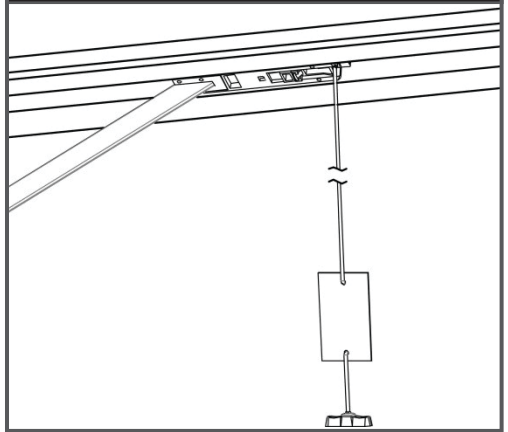
Test the Manual Door operation:

Periodically disengage the opener and manually operate the door. The door must be smooth to operate by hand. The force required on the bottom rail should not exceed 20kg.



WARNING! When operating the manual release (while the door is open) the door may fall rapidly due to weak or broken springs, or due to being improperly balanced.

Do not disengage the opener to manual operation with children/ persons or any objects including motor vehicles within the doorway.



Maintenance

Door Maintenance

A poorly maintained door could cause fatal / serious injuries or damage to property.

1. Frequent examine the door, particularly the cables, springs and mountings for signs of wear, damage or imbalance. DO NOT USE if repair or adjustment is needed since a fault in the installation or an incorrectly balanced door may cause injury.
2. Fasteners: Check all screws, nuts and bolts to ensure they are secure.
3. Spring Tension: It is natural for springs to lose tension. Should the door become hard to operate or completely inoperative, contact a door professional.
4. Guide Tracks: Clean the internal sections of the guide tracks every 3 - 6 months with a cloth dampened with mineral turps or methylated spirits.

Safety Testing

It is recommended that you run the following testing procedures MONTHLY to ensure the garage door is fit for use.

1. Open the door.
2. Place a piece of timber approximately 40mm high on the floor directly under the door.
3. Press the button to close the door.
4. The door should strike the object and re-open.
5. Remove the timber.



WARNING! If the door is closing and is unable to re-open when obstructed, discontinue use. Do not use a door with faulty obstruction sensing.

Put the door into manual by pulling down on the manual release string to disengage the motor and contact 02 9722 5670 for support.



WARNING! Failure to maintain your garage door may void the warranty on your garage door opener.



DO NOT DO IT YOURSELF:

Door adjustments should only be carried out by experienced persons, as this function can be dangerous if not performed under strict safety procedures.

Light bulb replacing








To replace the light bulb in the opener follow below:



ELECTROCUTION! Make sure the power supply has been cut off before replacing the light bulb. And ensure the voltage of the new light bulb is in accordance with the local voltage and the power is within 25 Watt.

1. Demount the screws on the lamp cover.
2. Take the lamp cover away the twist of the old L.E.D light anti-clockwise.
3. Fix the new L.E.D light and lamp cover.

Troubleshooting

Fault appearance	Possible cause
The opener does not work	Power Supply
LED lights do not work	The LED is broken
Poisiton missing	System error
While learning, the digital display 	Travel less than 30cm or more than 9m
Digital display 	Insufficient voltage
Opener does not work or stop working	
Digital display  or 	Unbalanced spring
Opener is not working	Opener failed to learn the UP and DOWN limit setting.
Digital display 	
Door moves up only. Door will not close.	Safety Beam is obstructed
Digital display 	
The remote control cannot be used or the operation distance is short	Flat battery Antenna is loose or not well extended
Digital display 	Stored remote code is full

Solution

Check whether the opener is connected to power.

Replace the LED

Re-set the limit traveling

Re-set the limit traveling

Check the power supply

Rebalance the spring

Follow the Programming Instructions on how to set the open and close limits.

Check there is not obstruction in the safety beams path.

Replace the battery

Extend the antenna on the opener


Delete all stored codes and only code remotes needed.

Warranty

This Warranty is given by CSI Doors a division of B&D Australia Pty Ltd (ABN 25 010 473 971), 1956 Dandenong Rd, Clayton 3168, ph 02 9722 5670, email info@csiclassicgd.com.au.

PLEASE NOTE:

- This Warranty is in addition to any statutory, non-excludable guarantees or warranty rights and remedies under the law. See section 5 below.
- This warranty applies to the original purchaser only and may not be transferred.
- This Warranty is to be read in conjunction with the owner's copy of the installation instruction manual.
- In this warranty, 'CSI Representative' means an entity authorized by CSI to service CSI products.

 It is a condition of the below warranties that the manual operating (opening and closing) force of the door by hand does not exceed 20kg.		
MODEL	WARRANTY	DOOR (MAX)
SECTIONAL		
CSI Classic Pro Series	3 yrs	120kg
EXTRAS		
TRACK ASSEMBLY (includes all parts)	1 year	
TRANSMITTERS & ACCESSORIES	1 year	

NOTE: CONSUMABLES (eg Batteries in remote control transmitters and light bulbs and fuses) are not covered by this warranty

1. MAKING A CLAIM

- The product parts in the above table should operate in accordance with the product manual for the time period shown, provided you comply with the manufacturer's instructions concerning installation, operation, maintenance and testing. Failure to do so may void all or part of this warranty.
- If, during the relevant warranty period, a product part in the table above appears to contain a defect, call the retailer from whom you purchased the product, or CSI Classic on 02 9722 5670, and they will instruct you what to do next.
- You are responsible for the cost of making a claim under this Warranty. Additional access expenses where the Product is not readily accessible must be borne by you.
- If CSI Classic or CSI Classic's Representative confirms the product is defective and covered by this Warranty, CSI Classic will repair or replace it (at CSI Classic's sole option) at no cost to you. Goods presented for repair may be replaced or repaired by refurbished goods or parts of the same type.

2. WARRANTY CONDITIONS

It is a condition of this warranty that:

- you provide a copy of the receipt of original purchase of the product, and the serial number of the Product which can be found on the label adhered to the Product.
- the Product has been serviced by CSI Classic or a CSI Classic Representative, within 12 months of installation (to allow for the door to settle) and at regular intervals not exceeding 2 years and on each of these services, the garage door or gate to which the Product is attached has also been serviced by the door manufacturer or its authorised service agent.

3. WARRANTY EXCLUSIONS

This warranty excludes defects or improper operation resulting from:

- excessive wear and tear that may cause the product to fail;
- accidental, deliberate or negligent damage or damage cause by insects, dirt, plants or other objects;
- blown fuses, electrical surges, power surges or power spikes or faulty or unsuitable electrical wiring of structures to which the product is affixed;
- theft, fire, flood, rain, water, lightning, storms or any other acts of God;
- salt or other corrosion due to environmental conditions,
- any installation, configuration or use of the product contrary to the instructions supplied with the product;
- maximum continuous operating time exceeding 1 minute in 10 minutes;
- the manual operating (opening and closing) force of the door by hand exceeding 20kg;
- door weight exceeding amounts listed in table above, for relevant Product;
- the door used with the product not being in safe working order and condition;
- any modification to the product or acts of any person in respect of the product which are not authorized by CSI Classic and which impact Product performance;
- installation of a residential garage door opener in a commercial or industrial premises or in a dwelling other than a single-family dwelling; or
- radio or electrical interference or lack of availability of signal.

4. OTHER CONDITIONS

- (a) This Warranty is not transferable.
- (b) The warranty period stated in the table will not be extended for Products or parts repaired or replaced during the relevant warranty period.
- (c) Where the Product is sold by any person other than CSI Classic, except for the warranty set out above, such person has no authority from CSI Classic to give any warranty or guarantee on CSI Classic's behalf in addition to the warranty set out above.

5. STATUTORY GUARANTEES OR WARRANTIES IN AUSTRALIA

If you are a consumer under the Australian Consumer Law, our goods come with guarantees that cannot be excluded under the Australian Consumer Law. You are entitled to a replacement or refund for a major failure and for compensation for any other reasonably foreseeable loss or damage. You are also entitled to have the goods repaired or replaced if the goods fail to be of acceptable quality and the failure does not amount to a major failure.

This warranty certificate and other statements contained in this document or other CSI Classic documents given to you do not exclude, restrict or modify the application of all or any of the provisions of the Australian Consumer Law.

To the extent permitted by the Act or other laws, CSI Classic:

- (a) limits its liability for breach of a statutory guarantee to the payment of the cost of replacing the Product or acquiring an equivalent Product; and
- (b) expressly excludes any liability for consequential loss and incidental or indirect damages (including but not limited to damages for loss of business profits, income, business, goodwill or reputation, or business interruption) due to a defect of the Product.

CSI CLASSIC