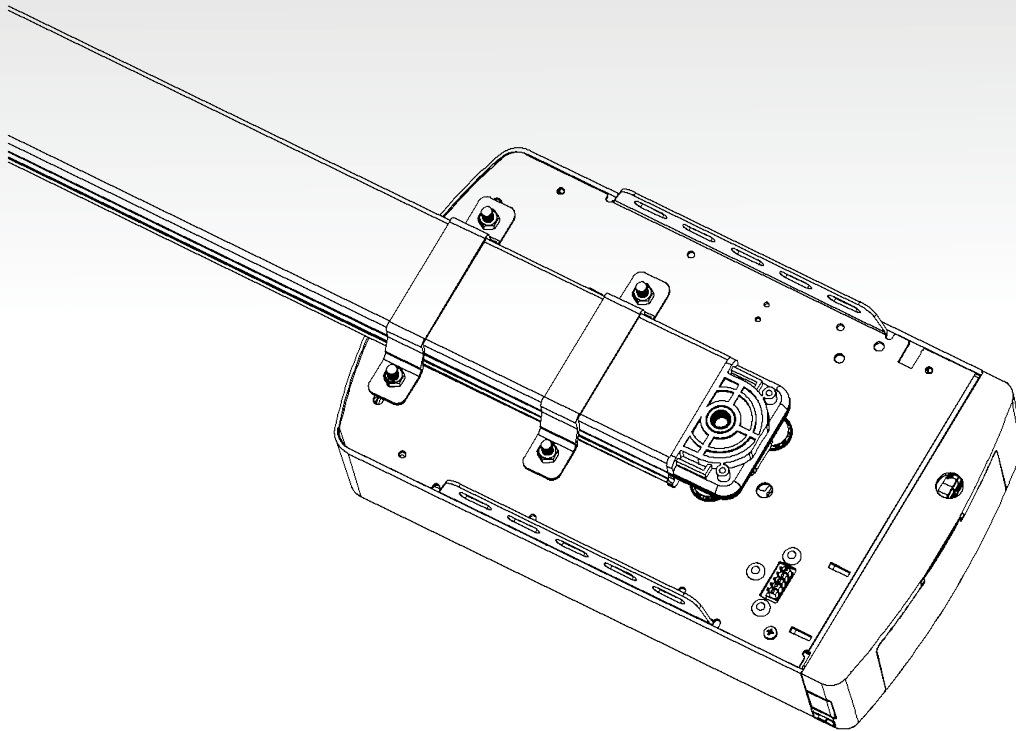


# SUPERLIFT

## SDO-5 V3

Sectional and Tilt Door opener

*“Your Automatic Choice”*



FS V3 1000N

FS V3 1200N

S/N

Installation Instructions and User Guide



# Table Of Contents

1. Critical Safety Guidelines 01

2. Button/Coin Cell Battery Safety 02

3. Product Overview & Features 03

4. Technical Specifications 04

5. Port Wiring Configurations 06

6. Basic button instructions 07

7. Quick setting instructions 08

8. Parameter overview 09

9. Parameter details 11

10. Running display codes 32

11. Common fault & solutions 33

# 1. CRITICAL SAFETY GUIDELINES

Failure to comply with these instructions may result in severe injury, death, or property damage.

1. Read and adhere to all safety and installation guidelines.

2. Installation Compliance:

- The opener complies with regional safety standards. Installers must verify alignment with local regulations.
- Only qualified personnel familiar with occupational health and safety standards for automated doors may perform installations.

3. Safety Responsibility:

- Installers/service providers failing to adhere to standards assume full liability for damages or injuries.

4. Photoelectric Sensor Recommendation:

- While the opener includes a pressure-sensitive safety system, installing a photoelectric sensor (Photo Beam) is strongly advised to enhance obstruction detection.

5. Operational Precautions:

- Ensure the door is fully stationary before entering/exiting the garage.
- Keep hands and loose clothing clear of moving components.

6. Safety Obstruction System Limitation:

- Designed for stationary objects only. Contact with moving objects may cause failure.

7. User Restrictions:

- Not intended for unsupervised use by children or individuals with reduced physical/mental capabilities.

8. Disposal:

- Dispose of electrical waste via certified recycling facilities.

9. Power Cord Safety:

- A damaged supply cord must be replaced by the manufacturer or certified personnel.

10. Monthly Safety Checks:

- Verify door reversal upon contacting a 50mm obstruction. Adjust if necessary.
- Inspect cables, springs, and mountings for wear/tear monthly.

11. Manual Release Warning:

- Exercise caution during manual release to prevent rapid door descent caused by spring failure.

12. Maintenance Protocol:

- Disconnect power before cleaning or servicing.

## 2. BUTTON/COIN CELL BATTERY SAFETY

### 1. WARNING:

- Contains a button/coin cell battery (lithium CR2032 or equivalent).
- Keep batteries out of reach of children. Ingestion may cause fatal injuries within 2 hours.
- Seek immediate medical attention if swallowed.

### 2. Transmitter Battery Replacement:

- Step 1: Remove screws on the transmitter's underside.
- Step 2: Replace battery with an identical specification (e.g., CR2032).
- Step 3: Verify red indicator illumination after reassembly.

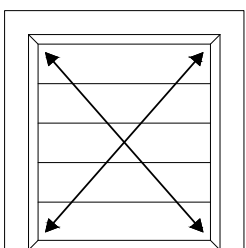
### 3. PRODUCT OVERVIEW & FEATURES

Feature	Description
1. Adjustable Obstruction Force	Levels 1 (min) to 5 (max).
2. Travel Speed Adjustment	80% speed ("8") or full speed ("A": 160–200mm/s).
3. Reversal Time Setting	0 = rebound to top; 1–9 = reverse duration (1–9 seconds).
4. Partial Open Height	0 = disabled; 1–C = preset heights.
5. Transmitter Button Recognition	0 = all buttons active; 1 = single-button control.
6. Soft Stop Adjustment	Levels 1 (short) to 3 (long). Default: Level 2 (medium).
7. Maintenance Alarm	LED flashes 10× to signal required maintenance.
8. Auto-Reverse Safety	Software-controlled reversal upon obstruction detection.
9. Soft Start/Stop	Reduces mechanical stress and noise.
10. Auto-Close	Activates after user entry/exit for security.

# 4. TECHNICAL SPECIFICATIONS

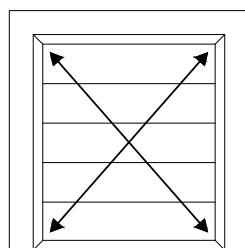
Model	FS 600	FS 1000	FS 1200
Input voltage	220 - 240V / 50-60 Hz		
Max. pull force	600 N	1000 N	1200 N
Max. door area	10 m <sup>2</sup>	15 m <sup>2</sup>	18 m <sup>2</sup>
Max. door weight (Balanced)	100 kg	150 kg	180kg
Max. door height	2400 - 3500mm	2400 - 3500mm	2400 - 3500mm
Drive mechanism	Chain / Belt	Chain / Belt	Chain / Belt
Opening / Closing speed	160mm / Second - C Rail		
L.E.D supply voltage (DC)	24V		
Limit setting	Electronic	Electronic	Electronic
Transformer	Overload protection technology		
Radio frequency	433.92 / 868.35 MHz		
Coding format	Rolling code (7.38 x 10 <sup>19</sup> Combinations)		
Status display transmitter	2 X	2 X	2 X
Code storage capacity	50 different codes (Subject to the actual)		
Caution light terminal	Included	Included	Included
Working temperature	-20°C - +60°C	-20°C - +60°C	-20°C - +60°C
Safety protection	Soft start & Soft stop, Photo cell option, Caution light option		
Protection level	IP20	IP20	IP20

FS 600



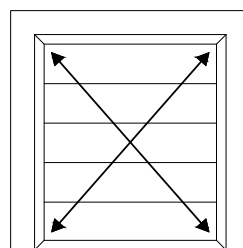
Rated door area: ≤ 10 m<sup>2</sup>

FS 1000

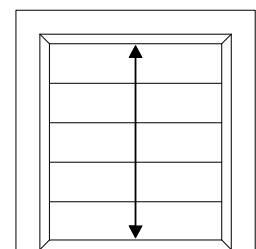


Rated door area: ≤ 15 m<sup>2</sup>

FS 1200



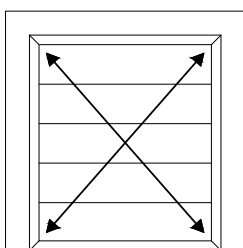
Rated door area: ≤ 18 m<sup>2</sup>



Standard door height: 2400mm  
Maximum door height: 3500mm

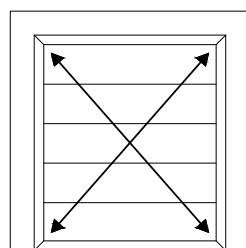
Model	FS 600-Speed	FS 1000-Speed
Input voltage	220 - 240V / 50-60 Hz	
Max. pull force	600 N	1000 N
Max. door area	8 m <sup>2</sup>	12 m <sup>2</sup>
Max. door weight (Balanced)	80 kg	120 kg
Max. door height	2400 - 3500mm	2400 - 3500mm
Drive mechanism	Chain / Belt	Chain / Belt
Opening / Closing speed	200mm / Second	200mm / Second
L.E.D supply voltage (DC)	24V	
Limit setting	Electronic	Electronic
Transformer	Overload protection technology	
Radio frequency	433.92 / 868.35 MHz	
Coding format	Rolling code (7.38 x 10 <sup>19</sup> Combinations)	
Status display transmitter	2 X	2 X
Code storage capacity	50 different codes (Subject to the actual)	
Caution light terminal	Included	Included
Working temperature	-20°C - +60°C	-20°C - +60°C
Safety protection	Soft start & Soft stop, Photo cell option, Caution light option	
Protection level	IP20	IP20

FS 600-Speed

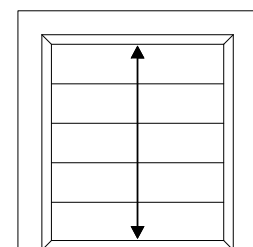


Rated door area:  $\leq 8 \text{ m}^2$

FS 1000-Speed

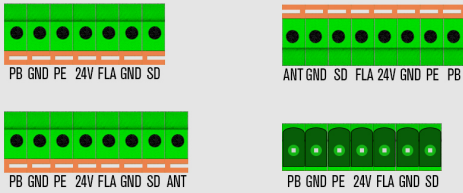


Rated door area:  $\leq 12 \text{ m}^2$



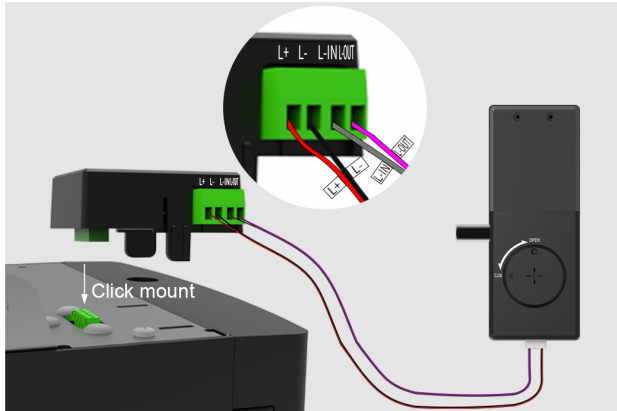
Standard door height: 2400mm  
Maximum door height: 3500mm

# 5. PORT WIRING CONFIGURATIONS



The garage door opener has above types of wiring ports. Please check your motor to find the corresponding port and wire it according to the diagram.

## Wired E-Lock (Optional)

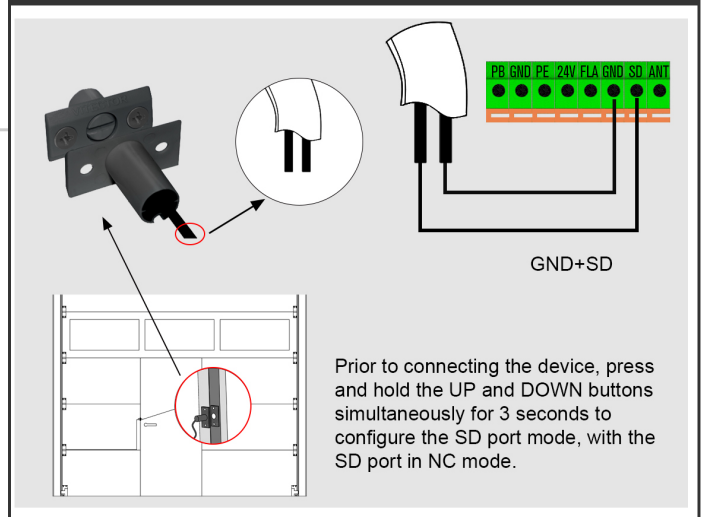


Connect the four wires of the wired E-Lock to the corresponding ports of the E-Lock external device:

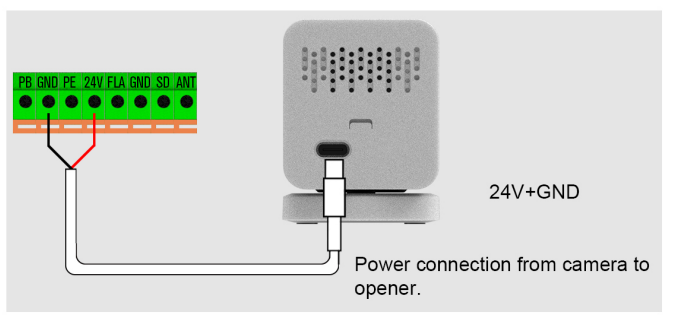
Red: L+  
Black: L-  
Gray: L-IN  
Pink: L-OUT

Click mount the relay module to the connection port of the GDO.

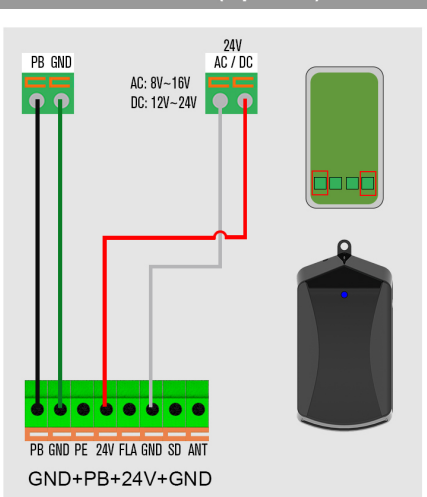
## Pass door protection device



## Camera (Optional)

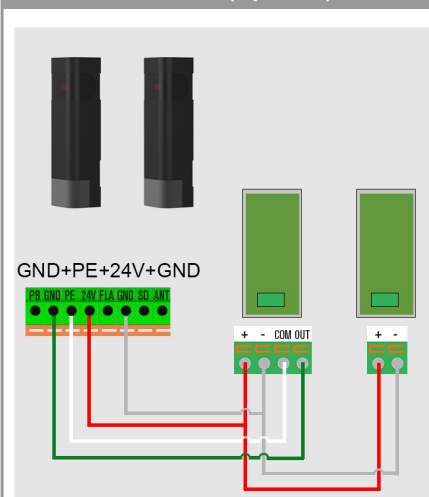


## Universal receiver (Optional)



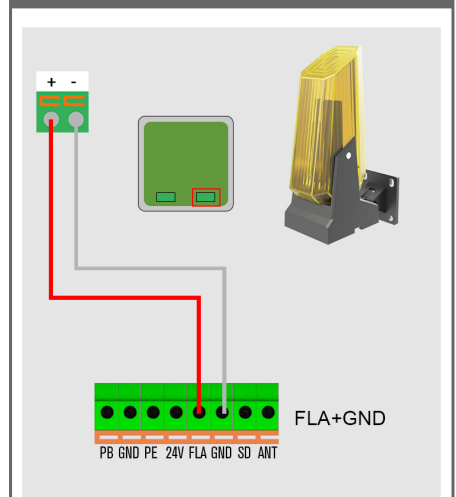
Notice:  
Special attention to the wiring.  
Wire in red color should be always go to 24V port on garage door opener.  
In case of wrong wiring, there may cause damage to the receiver, or even other connected devices.  
Remark  
1. PB (External Push Button) port should be with "NO" contact.

## Wired Photo Beam (Optional)



Notice:  
Please ensure installation distance between 2 sensors is over 1 meter, otherwise garage door opener can not work properly.  
Remark:  
1. When garage door opener is also connected with a Falsh Light, the power of light should be lower than 10W, otherwise photo beam can't work properly due to low power supply.





## Flash lamp (Optional)









Terminals provide 24-35v flash light voltage.

Connect the flash light with DC 24v-28v, current≤ 100mA. When use AC 220V power flash lights, please match an adapter, and connect the wires as required.

## 6. BASIC BUTTON INSTRUCTIONS

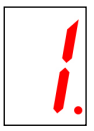



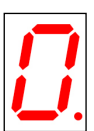
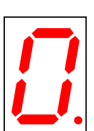


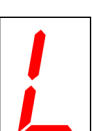

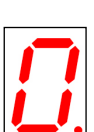
Item	Button	Function Description
1.		<b>Short press:</b> Confirm setting. <b>Long press:</b> Enter the function menu setting.
2.		<b>Short press:</b> Remote coding. <b>Long press:</b> Clear the coded remote.
3.		<b>Short press:</b> Open the door. <b>Long press:</b> Increase the over load mode force during closing.
4.		<b>Short press:</b> Close the door. <b>Long press:</b> Restore factory settings.

# 7. QUICK SETTING INSTRUCTIONS

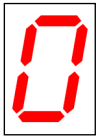
Quick Setup Function	Operation	Function Description
Over load mode	<p>Long press for 4 seconds</p> 	<p>Press and hold the UP button for 4 seconds. The digital display will increment and cyclically show levels 0-3. Release the button to select the current level.</p> <p>0: means the function is disabled (default)            1: increase the overload force 25% based on your current force.            2: increase the overload force 50% based on your current force.            3: increase the overload force 75% based on your current force.</p>
Restore factory settings	<p>Long press for 4 seconds</p> 	<p>Keep press DOWN button, after 4 seconds, it will scroll to display  , then the garage door opener will restart.</p> <p>PS: Restart means all settings are back to factory settings, all learning things need to be done again except the transmitter learning code.</p>
Remote coding	<p>Short press</p> 	<p>1. In the Setting Status, short press CODE, it will exit the current operation and return to the standby interface.</p> <p>2. In the Standby Status, short press the CODE, A dot will be indicated in the corner, now entering the code leaning mode. Now first click the button on the hand transmitter you want to use, the dot may disappear ,then press again the same button on the hand transmitter, the dot will flash, here, the code learning is finished.</p>
Remote clearing	<p>Long press</p> 	<p>Press and hold CODE button until a letter  is indicated on the display.</p> <p>All stored remotes will be deleted.</p> <p><b>Note:</b> Clearing the remote will not clear all paired wireless accessories.</p>

## 8. PARAMETER OVERVIEW

Par	Function Description	Description of default parameters	P.
	Motor Forward / Reverse rotation adjustment	 : Motor forward rotation (Default)	11
	Programming open & close limits	Learning the door open limit and close limit.	12
	Obstruction force adjustment	 : Obstruction force level 3(Default)	13
	Closing speed setting	 : Full speed (Default)	14
	Auto closing on/off & Auto closing countdown time setting.	 : Auto closing function is not enabled (Default)	15
	Auto closing trigger condition setting (Door position)	 : Auto closing is only triggered when the door is at the open limit (Default)	16
	Led off delay time setting	 : LED light turns off after a 3-minute delay(Default)	17
	Reversal running time setting (After the resistance rebound)	 : Full open running to the open limit after resistance rebound	18
	Partial open function ON/OFF & Partial open height setting	 : The Partial open function is not enabled (Default)	19
	Transmitter buttons recognition function setting	 : The transmitter button recognition is under single key cycle model (Default)	22

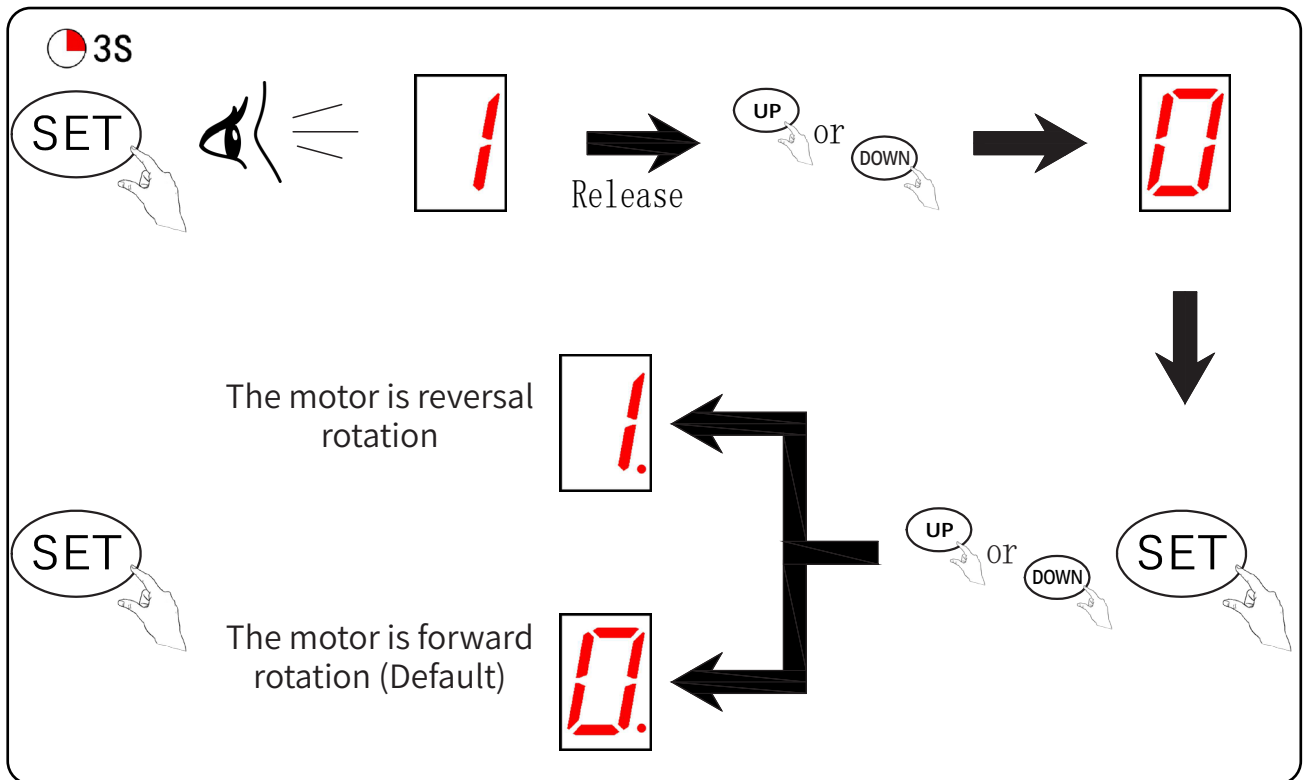
Par	Function Description	Description of default parameters	P.
	Soft stop distance adjustment	 : Long range of soft stop distance (Default)	23
	Reversal position ignoring setting while obstruction	 : Reversal position ignoring setting to 1cm up the ground (Default)	24
	Wired pass door sensor port setting (NO/NC)	 : Normally Open (NO) port for pass door sensor (Default)	25
	Wired photo beam function ON/OFF	 : Photo beam function is not enabled (Default)	26
	Maintenance alarm operation cycles count setting	 : Maintenance alarm function is not enabled	27
	Community function (Parking lot function) ON/OFF	 : Community function (Parking lot function) is not enabled (Default)	28
	Opening force adjustment setting	 : Opening force under normal level 5 (Default)	30
	Wired E-Lock function ON/OFF	 : Wired E-Lock function is not enabled (Default)	31

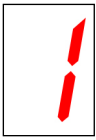
# 9.PARAMETER DETAILS



: Programming Motor Forward / Reversal rotation.

ⓘ This function is applicable to swing doors. When enabled, the trolley moves forward during door opening and backward during closing.



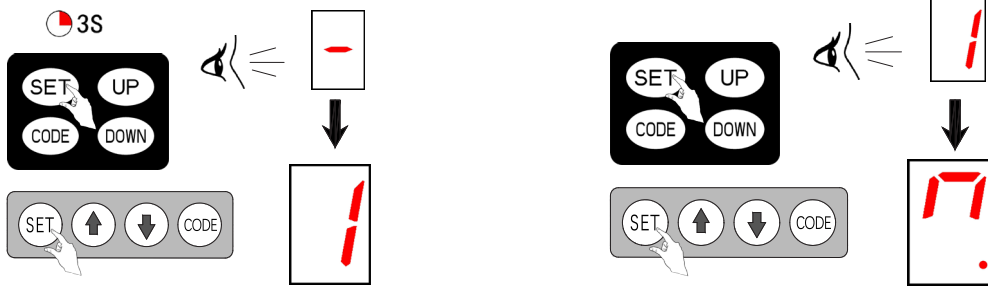


# Parameter: Programming Open & Close Limits

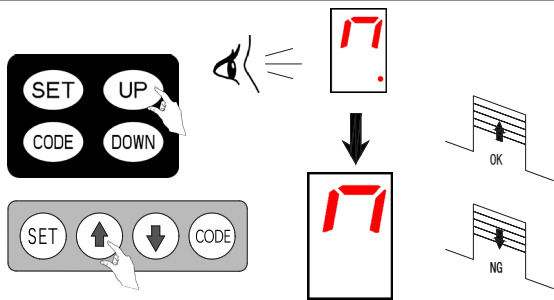
① Pre-Setup Preparation: Manually open the door to half-height to avoid incorrect rotation during setup. Entering the travel limit menu will clear previous settings.

① Motor Direction Verification: Confirm motor output direction aligns with door movement

## 1. Enter travel limit setting

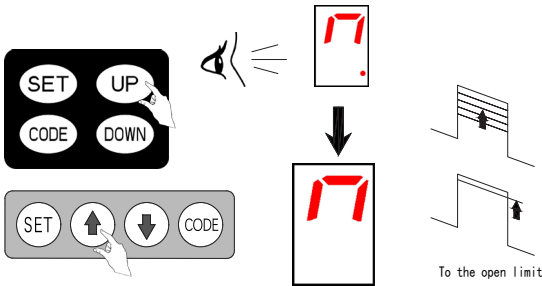


## 2. Check the direction of motor output and the door running operation

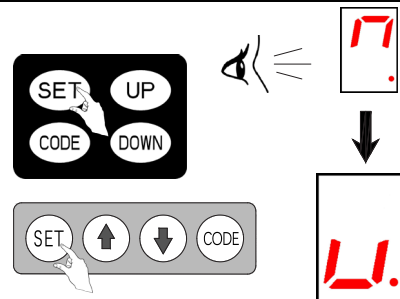


Note: If the motor running direction does not match the door running direction, please exit the learning process first and adjust the motor running direction in the 0 menu.

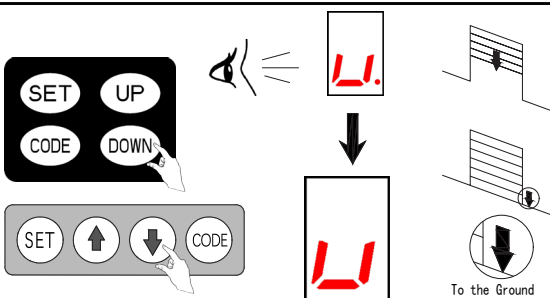
## 3. Start the travel limit set, open the door and move the door to the open limit position



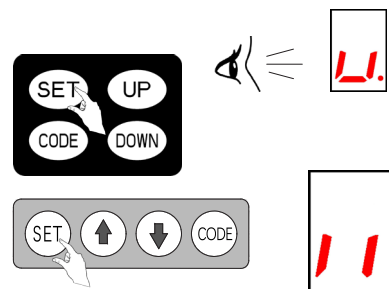
## 4. Save open limit position



## 5. Close the door and move the door to the close limit.



6. After confirming the close limit position, the motor enters into self-learning. When the motor self-learning is complete, the travel limit set is complete.



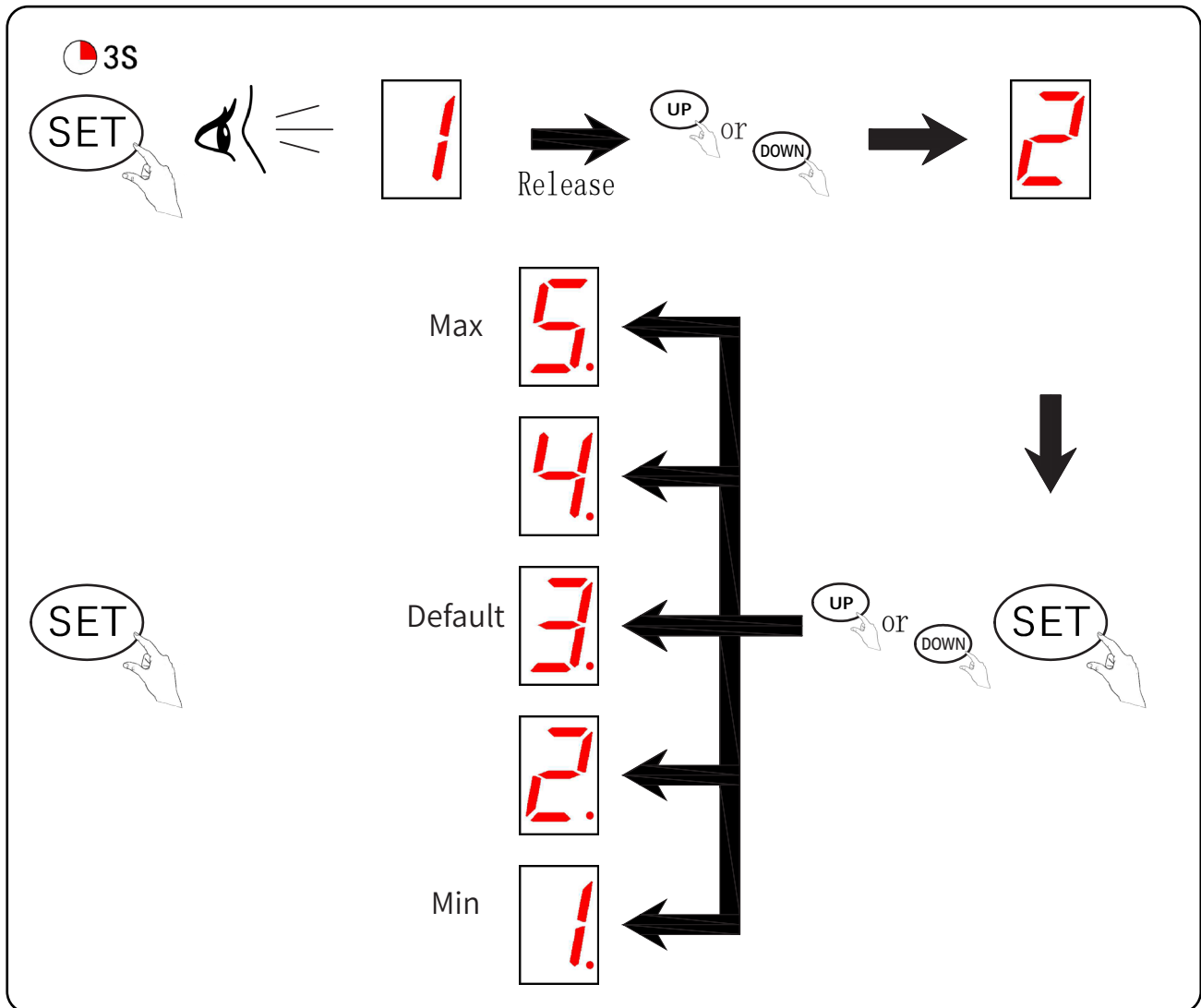


## Parameter: Obstruction Force Adjustment

① **Note:**

Automatically configured during initial setup. Manual adjustment is unnecessary normally.

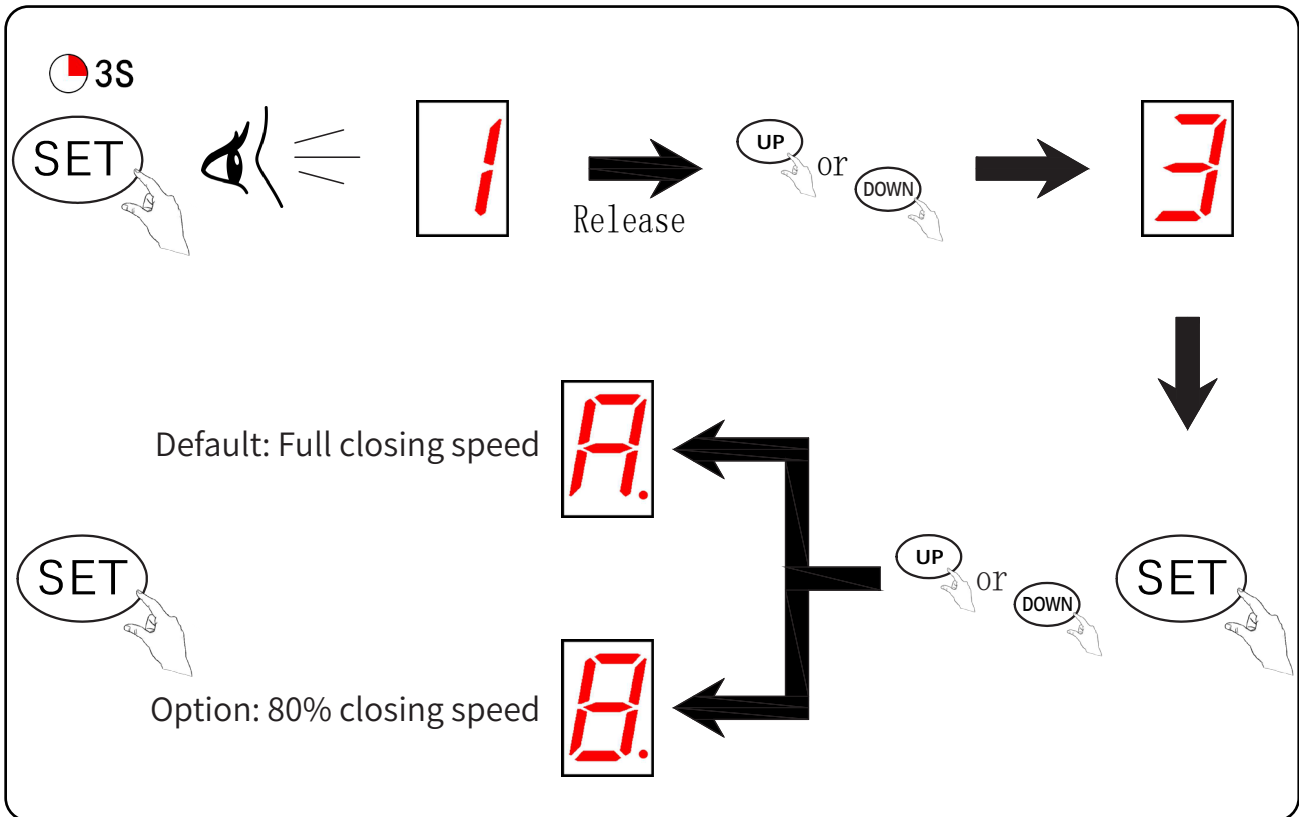
① **Default:** Level 3 (Medium force).

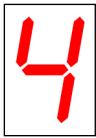




## Parameter: Closing Speed Setting

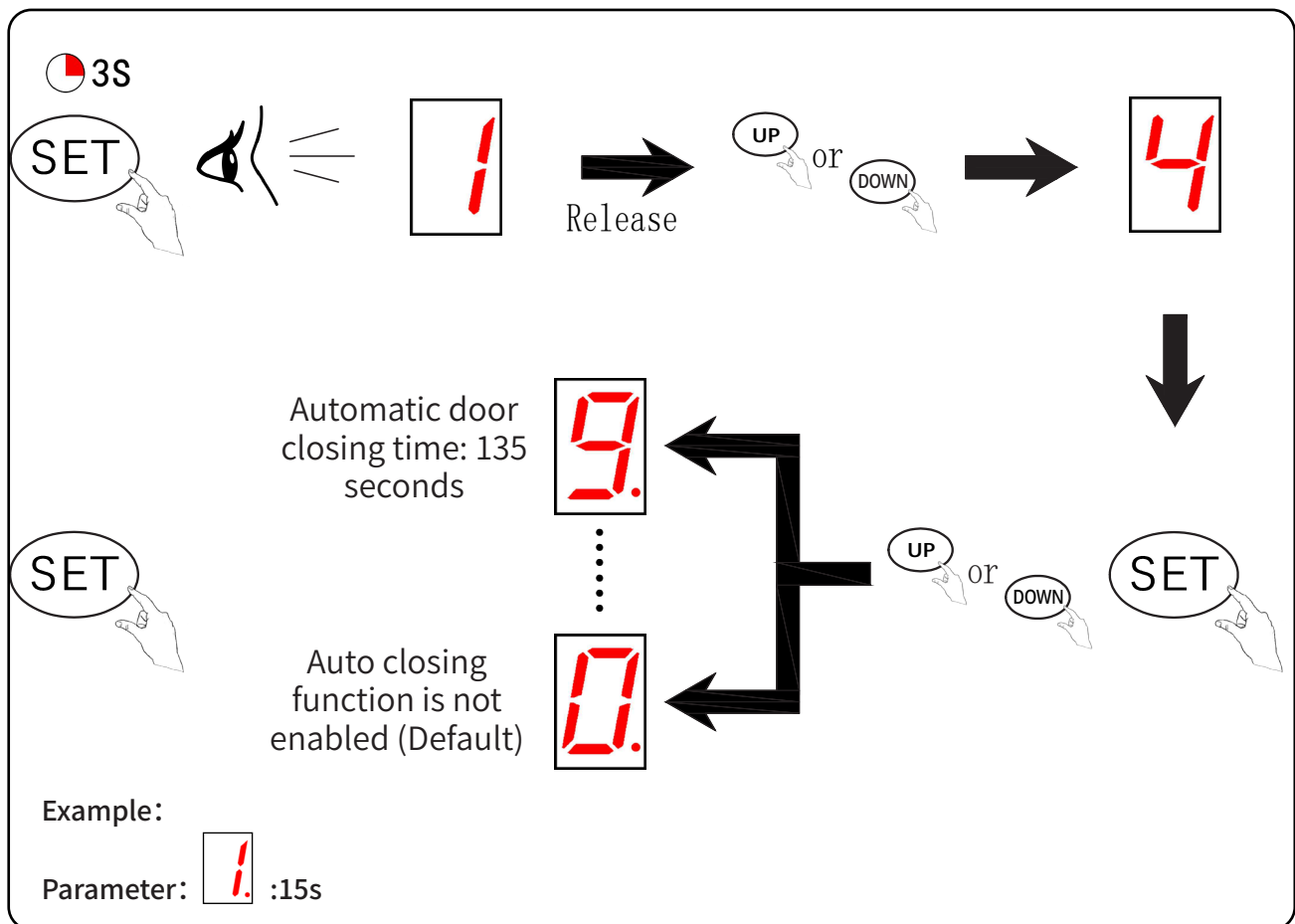
**Note:**  
Adjusts closing speed only.





: Auto closing on/off & Auto closing countdown time setting.

- ① Range: 1–135 seconds (9 intervals).
- ① Prerequisite: Photo beam function must be enabled.
- ① Behavior: Obstructions pause the timer, which resumes after clearance.

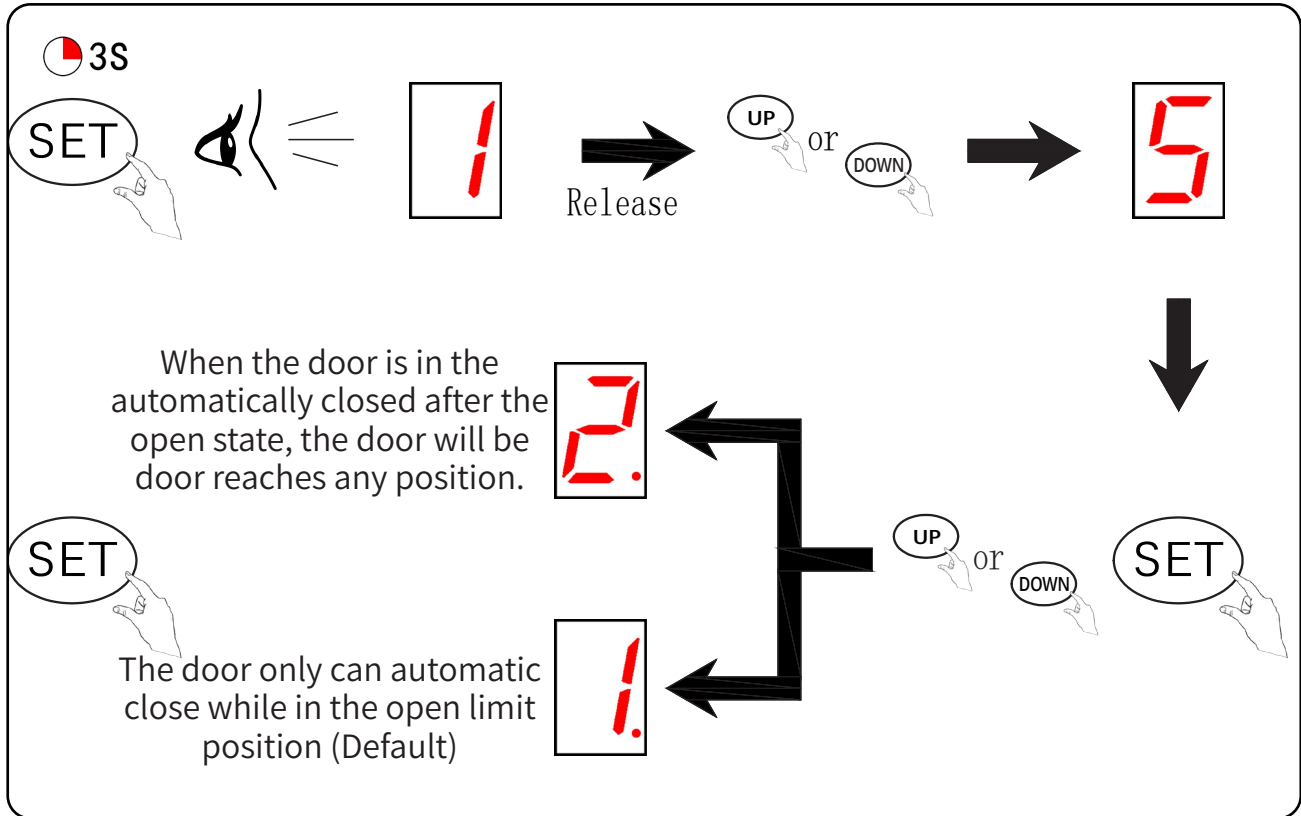


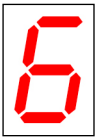


## : Auto closing trigger condition setting (Door position)

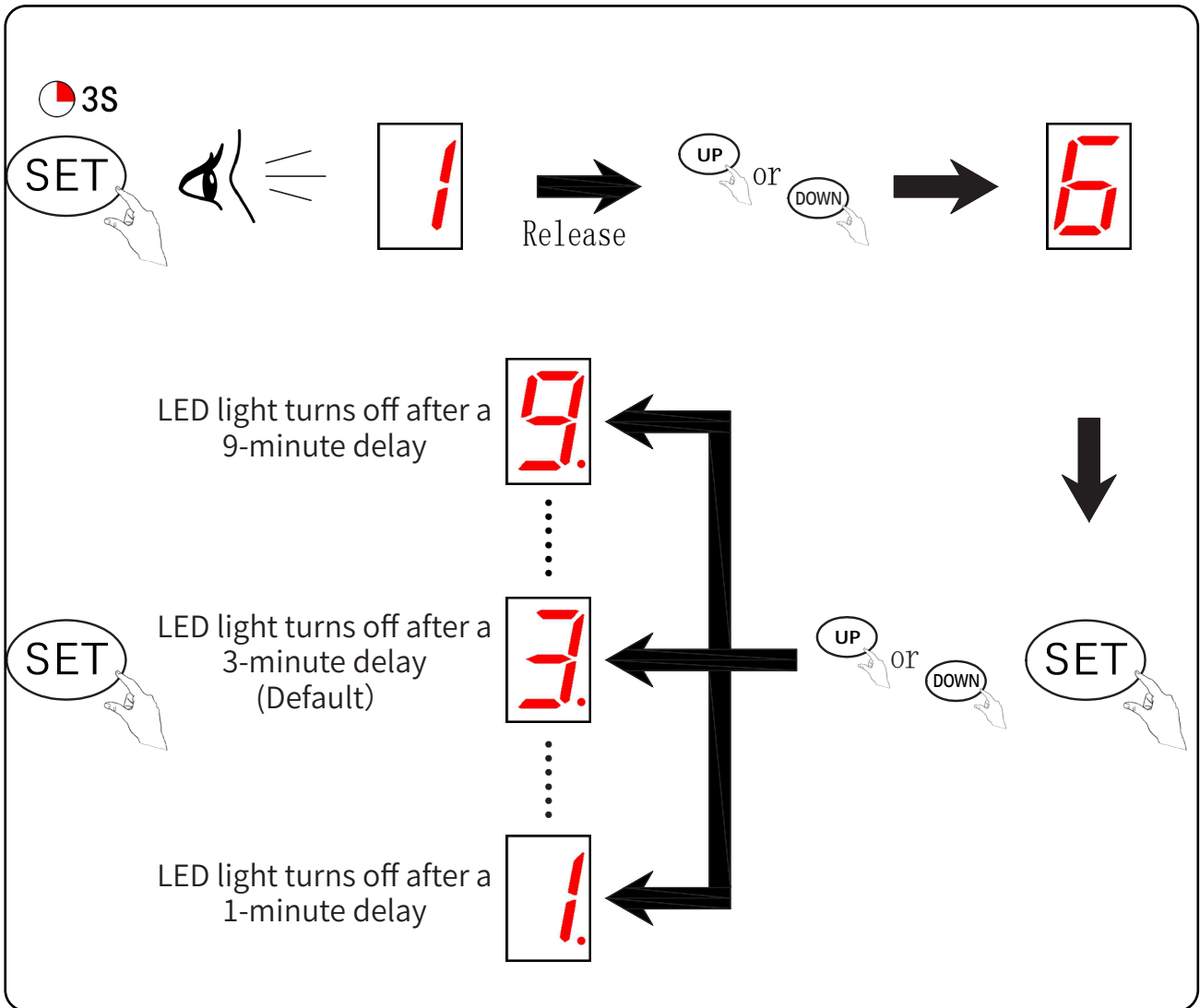
① Default: Door closes only from the fully open limit position.

② Alternative: Door closes from any intermediate position





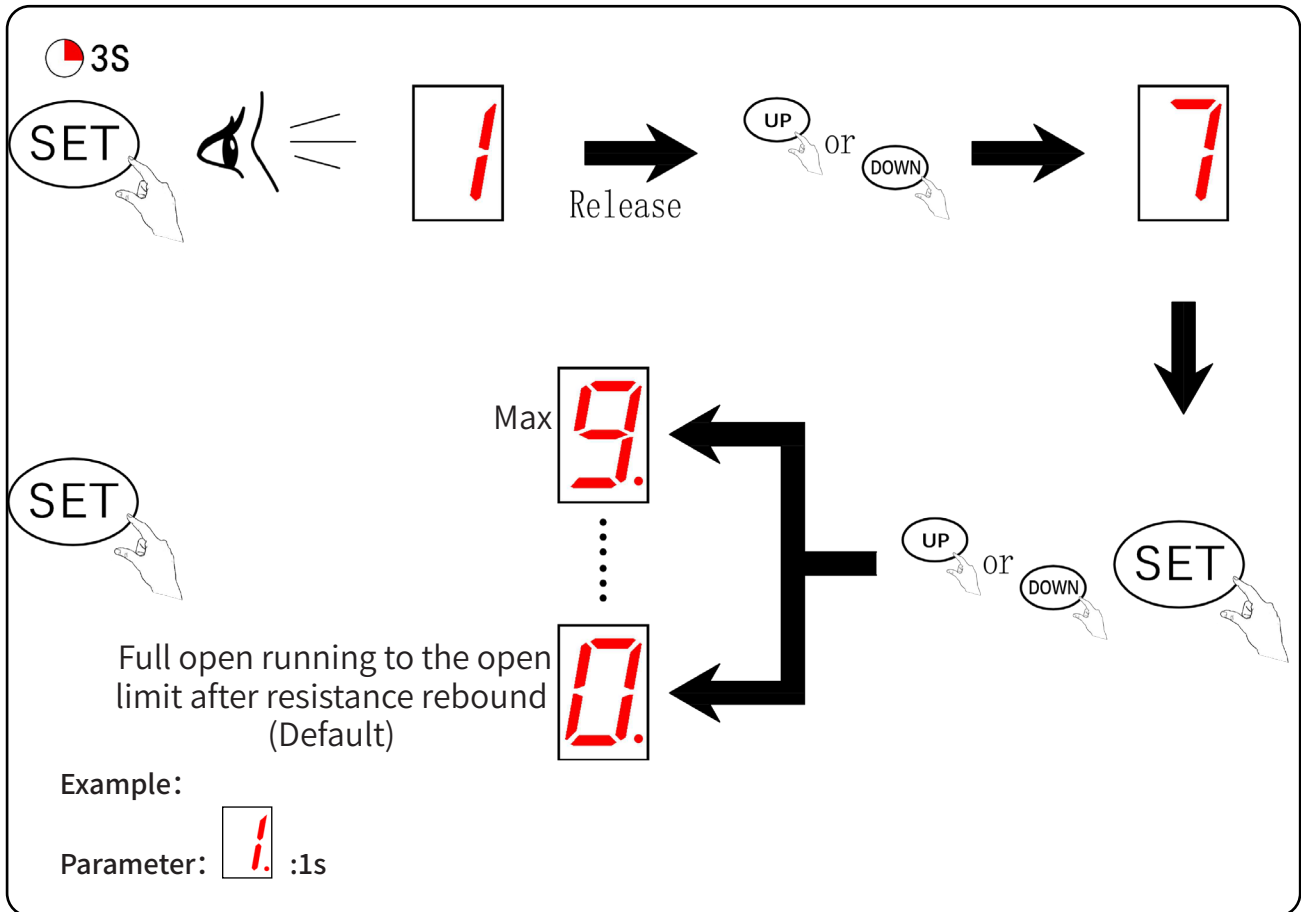
# : LED off delay time setting

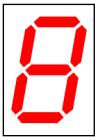




## : Reversal running time setting (After the resistance rebound)

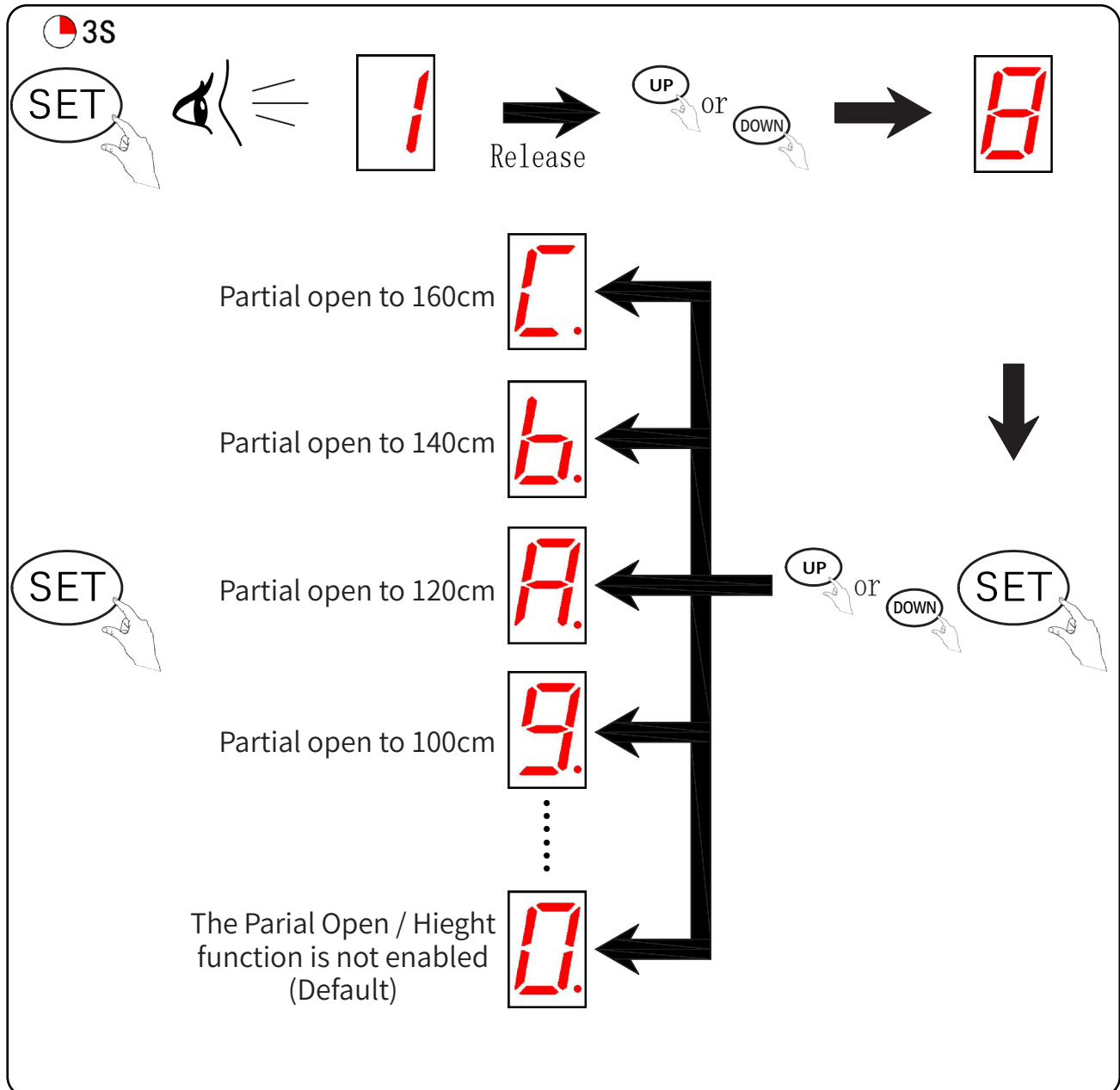
- ① Option 0: Door stops at open limit upon reversal (default).
- ① Options 1–9: Door reverses for 1–9 seconds





## : Partial Open ON/OFF Setting/Height Setting

- ① When the partial open/height function is activated, the button's recognition function will be deactivated.
- ① When the partial open function was initially enabled and subsequently disabled, that only the initially programmed button can now control the opener.



	The Partial Open / Hieght function is not enabled (Default)
	Partial open to 2cm.
	Partial open to 4cm.
	Partial open to 8cm.
	Partial open to 12cm.
	Partial open to 20cm.
	Partial open to 40cm.
	Partial open to 60cm.
	Partial open to 80cm.
	Partial open to 100cm.
	Partial open to 120cm.
	Partial open to 140cm.
	Partial open to 160cm.

## Precautions for partial open door function:



After the Partial open function is enabled, the functions of the transmitter buttons will change as follows:

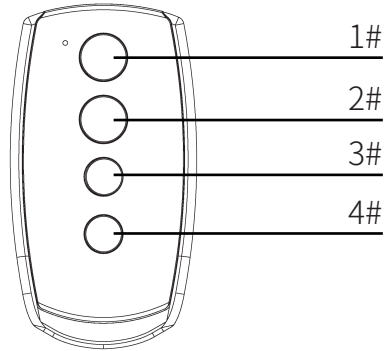
### I. Button combination function

#### A. Combination one: 1# / 2# Button

- 1#: Fully open/close
- 2#: Partial open/close

#### B. Combination two: 3# / 4# Button

- 3#: Fully open/close
- 4#: Partial open/close



### II. Rules for use in special situation

#### A. Situation 1:

Two doors controlled by the same transmitter with the Partial open function enabled.

When using the same transmitter to operate two doors with the Partial open function enabled, it is necessary to follow the group coding method:

- 1# / 2# — Pair with operator No. 1
- 3# / 4# — Pair with operator No. 2

#### B. Situation 2:

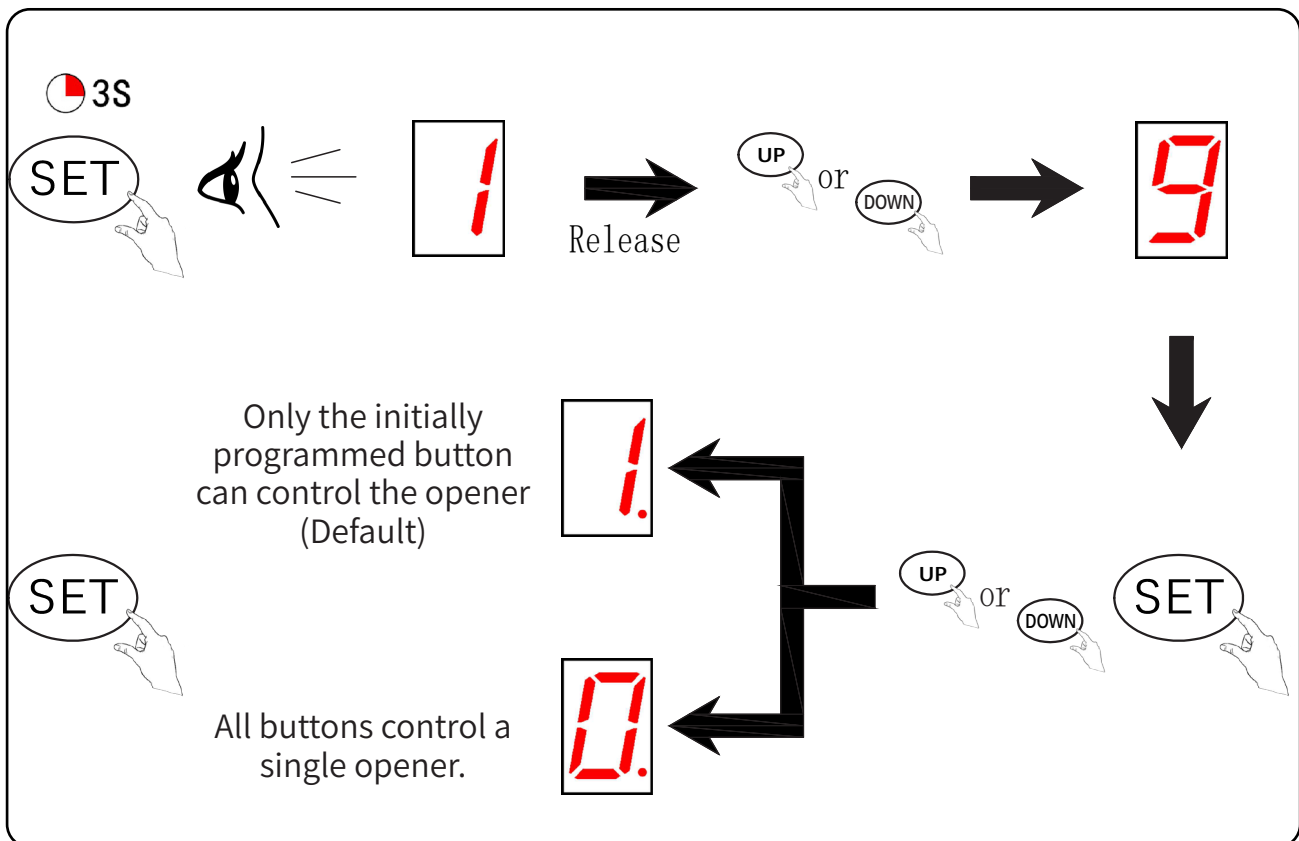
Controlling more than two doors with the same transmitter ( Operator coded with different buttons)

If the same remote control is used to operate **more than two doors** (with operator coded with different buttons), **it is recommended not to use the Partial open function** to avoid control logic conflicts.



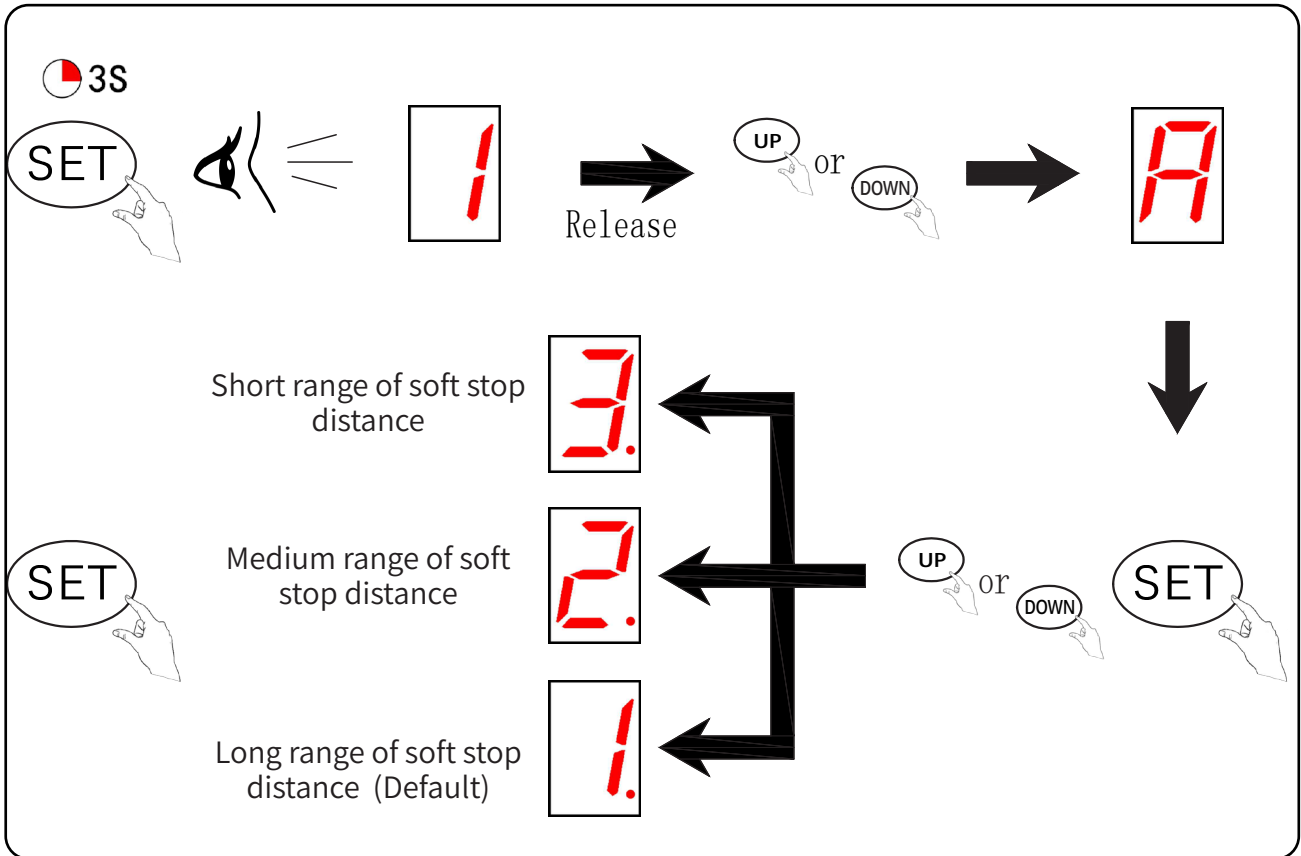
## : Transmitter Button Recognition Setting

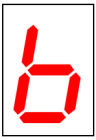
- ⓘ Note: The "8" function (Partial Open/Height Setting) must be turned off before using the transmitter recognition function
- ⓘ Parameter "0" disables button recognition. If you have only one automatic door, all four buttons on the remote can control it.
- ⓘ Parameter "1" enables button recognition. Only the first button will control the opener if it is coded to the first opener. This is suitable for users with multiple automatic doors or gates.





: Soft stop distance adjustment

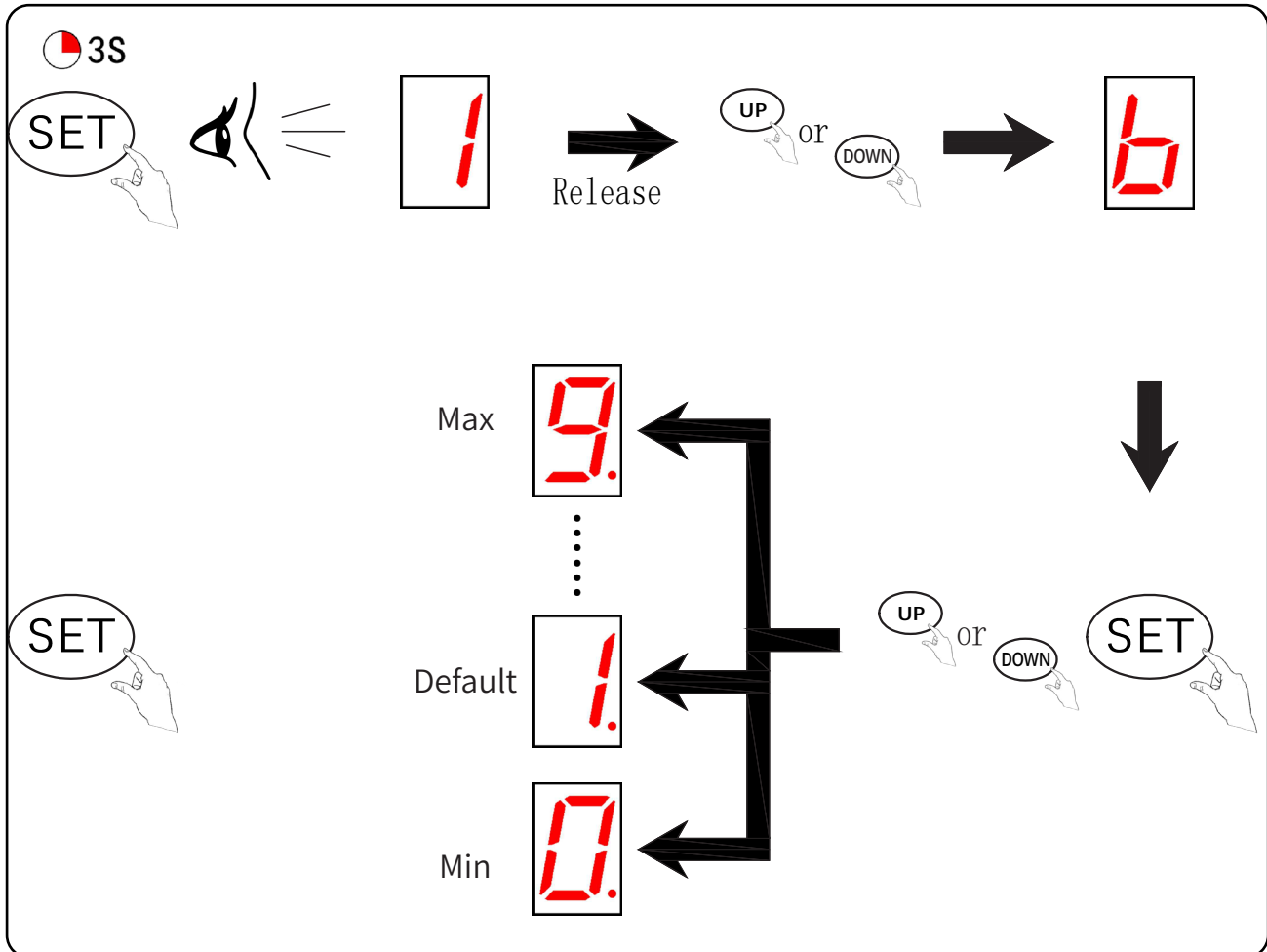




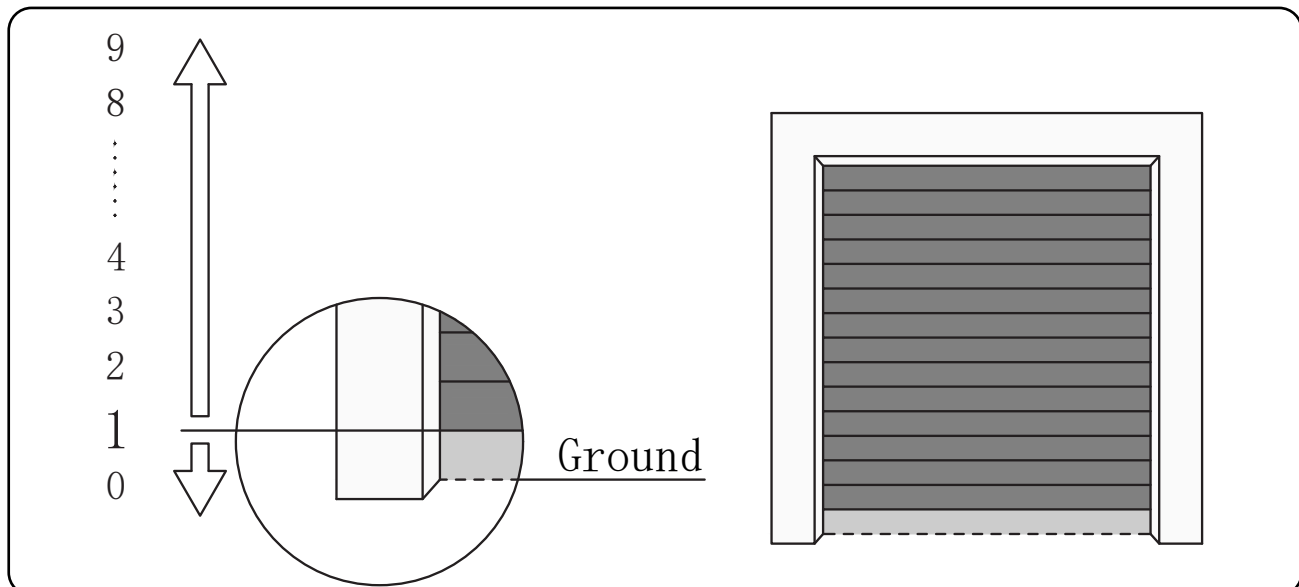
## : Reversal Position Ignorance While obstruction

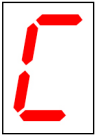
① Range: 1–9 cm (door ignores obstructions near the closed position).

① Use Case: Ideal for snowy environments.



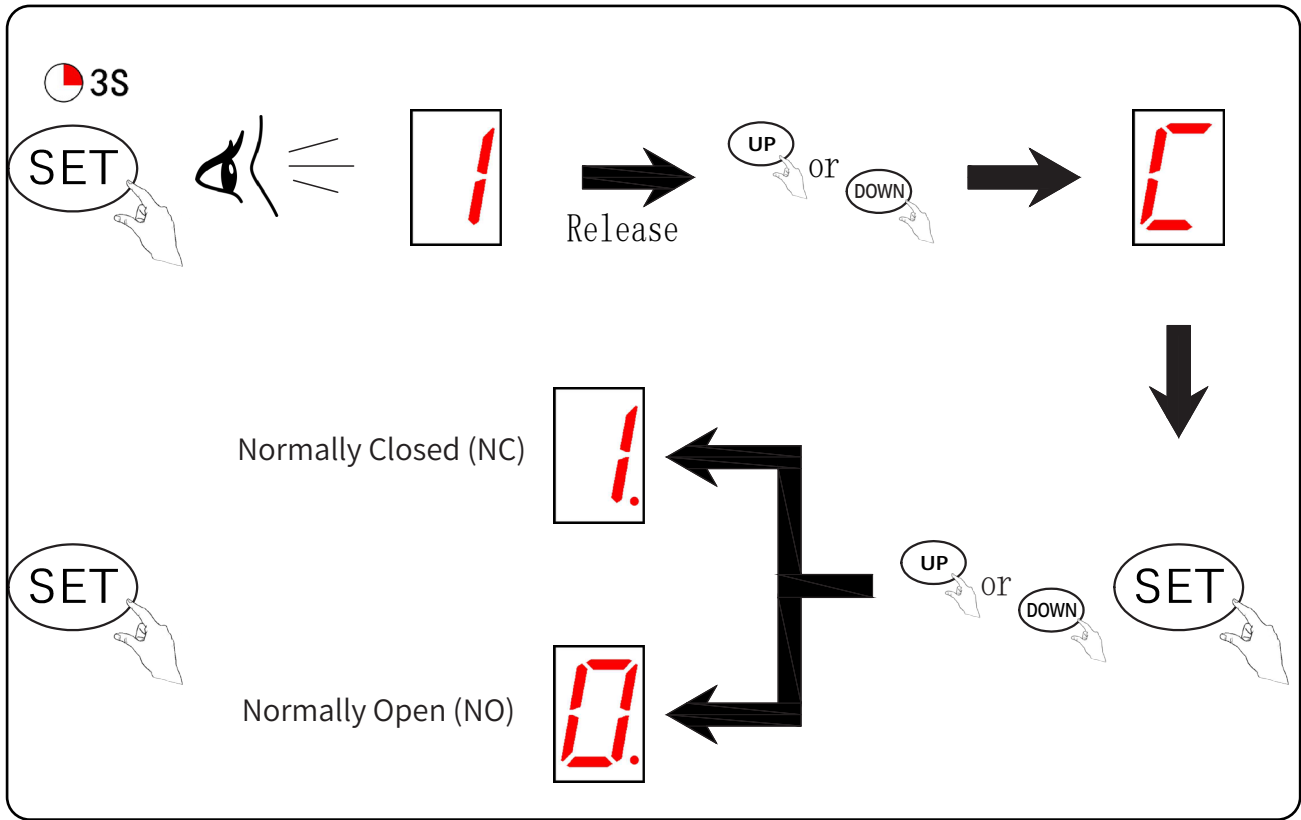
The motor stops immediately without reversing if an obstruction is detected while closing the door in the designated area.

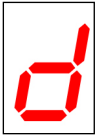




: Wired pass door sensor port setting (NO/NC)

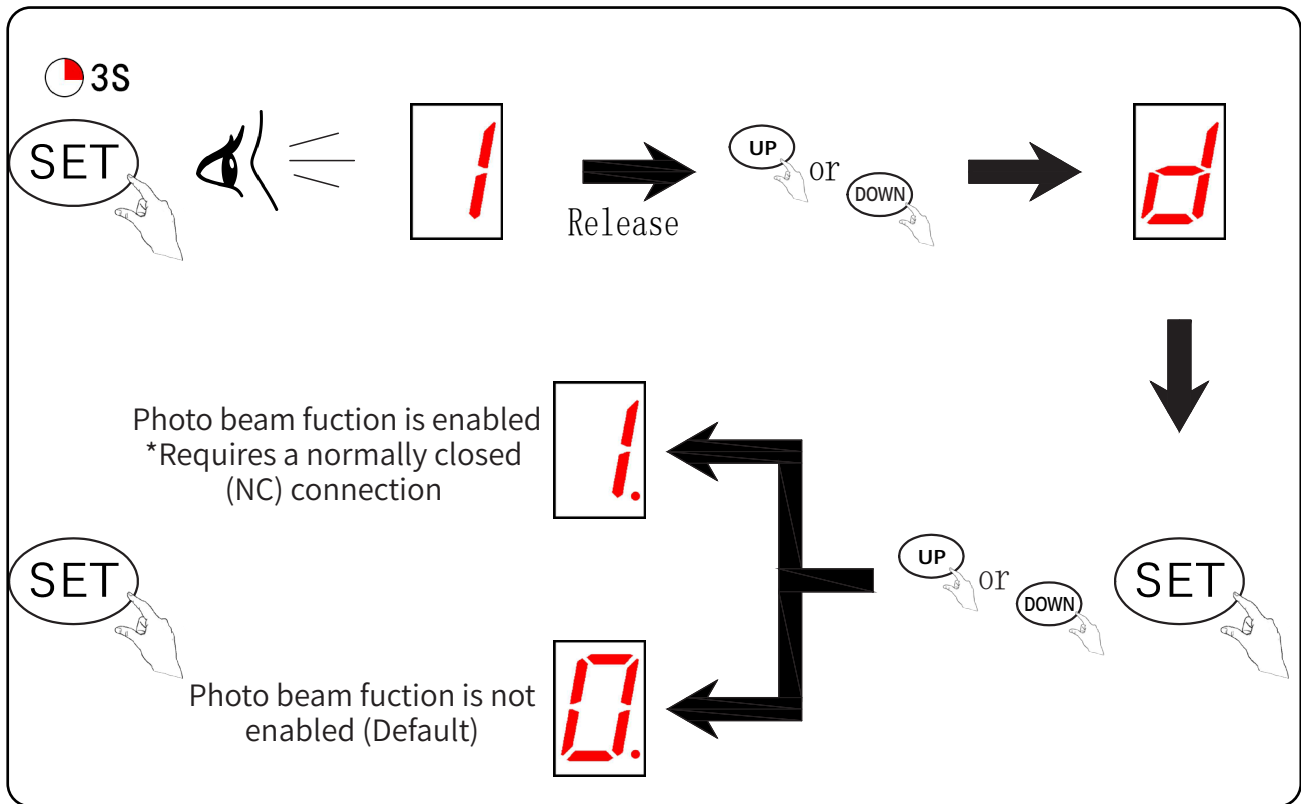
i Connection Description: SD-GND port

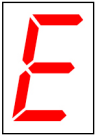




## : Wired photo beam function ON/OFF Setting

i Connection Description: PE-GND port

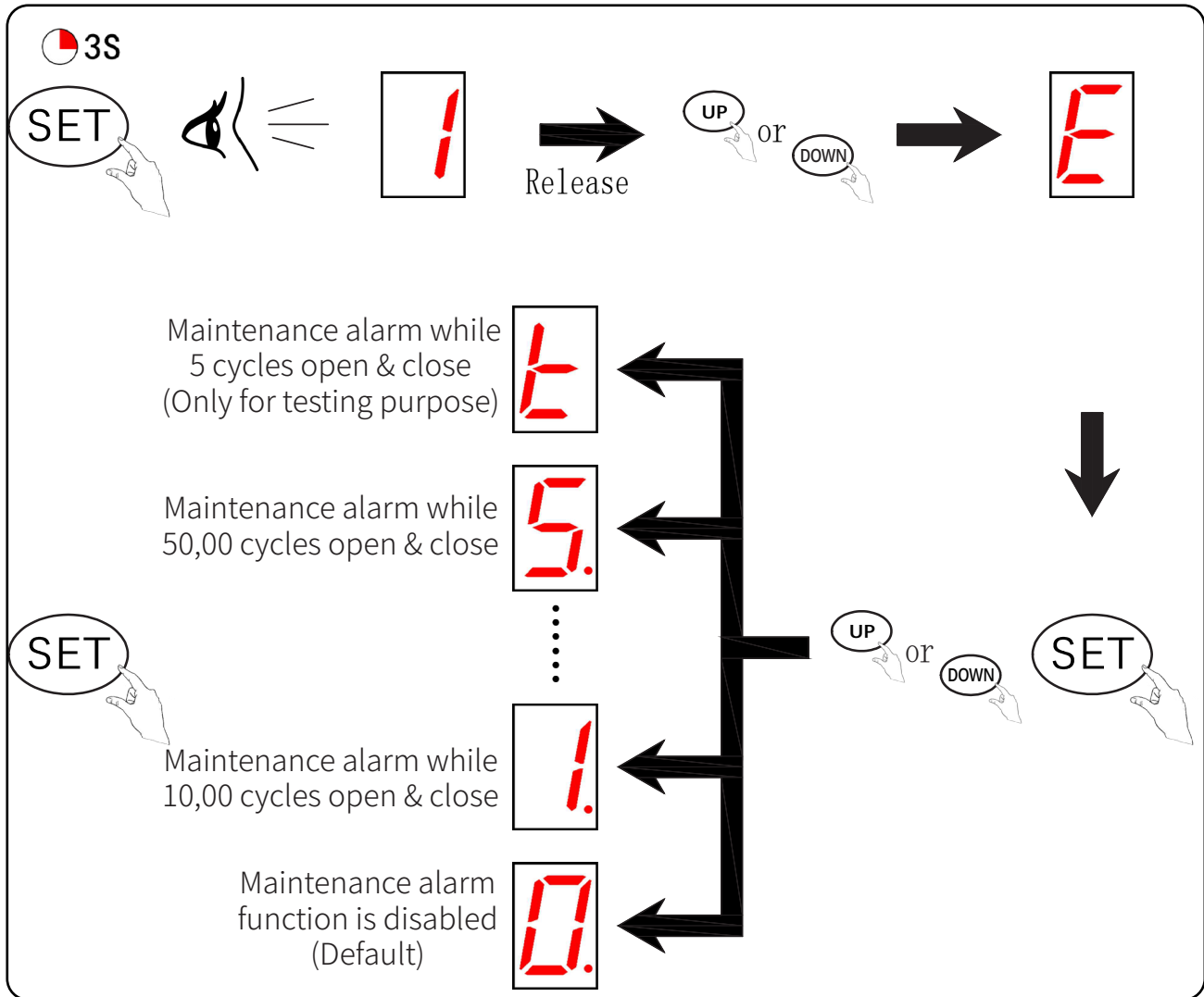


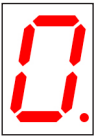
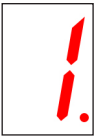







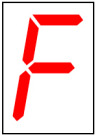
## : Maintenance alarm-operation cycles count setting

(i) Note:

LED flashes 10 times upon imbalance or maintenance requirement. Check the door balance or re-learn the travel limit of the garage door.



	Maintenance alarm function is disabled (Default)
	Maintenance alarm while 10,00 cycles open & close
	Maintenance alarm while 2,000 cycles open & close
	Maintenance alarm while 3,000 cycles open & close
	Maintenance alarm while 4,000 cycles open & close
	Maintenance alarm while 5,000 cycles open & close
	Maintenance alarm while 5 cycles open & close (Only for testing purpose)



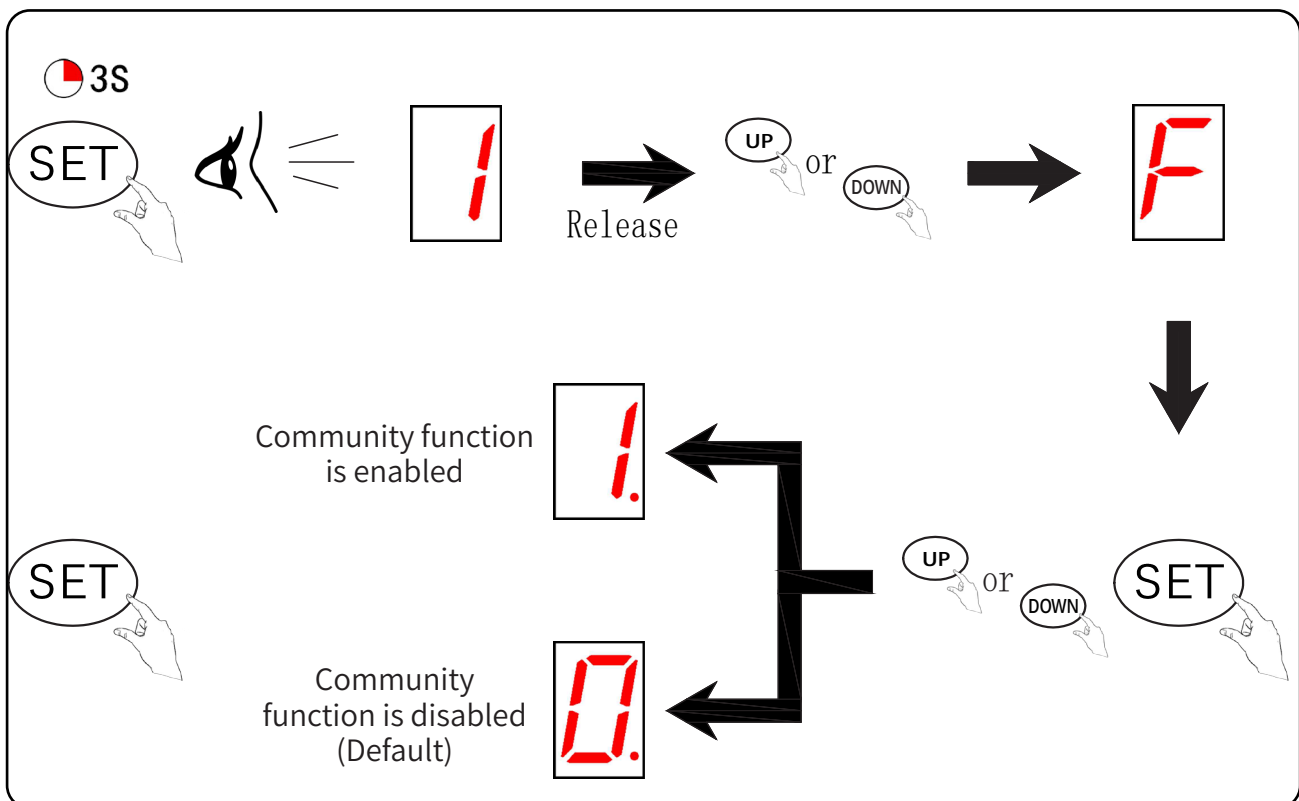
: Community function (Parking lot function) ON/OFF

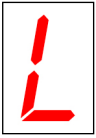
**Attention: This function cannot operate properly if enabled alone. Please refer to the function description below.**

Function Description:

First, enable function 4 (Auto Close), then enable function d (Infrared function), and finally enable function F.

- When triggered by the remote control, PB port, or UP button, the door opens normally. During the opening process, if a trigger signal is received, the door will not stop.
- After reaching the open limit, triggering via remote control, PB port, or DOWN button will have no effect. At this point, the door can only be closed through the automatic closing function.

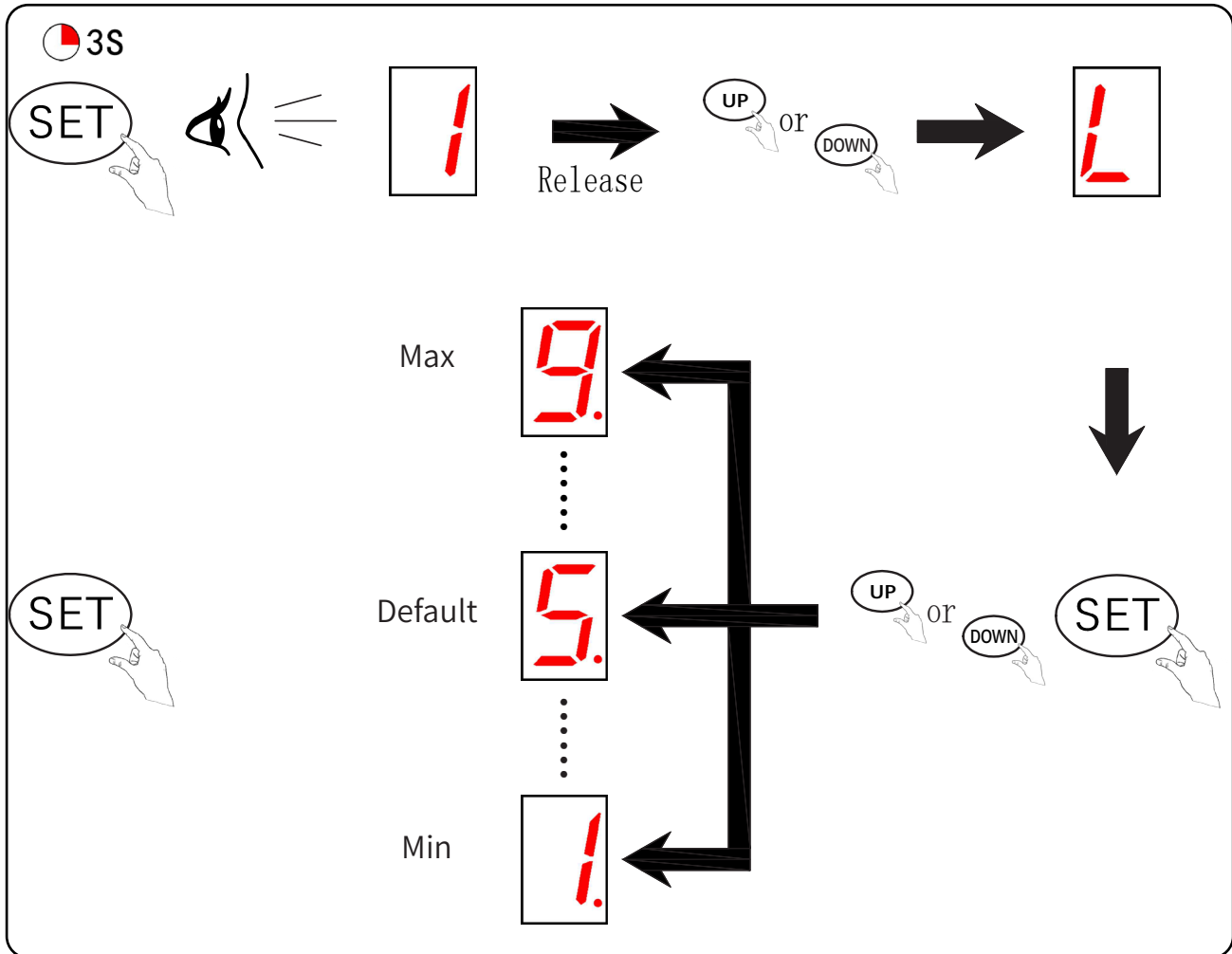


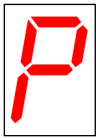


## : Opening lifting force adjustment

**Caution:**

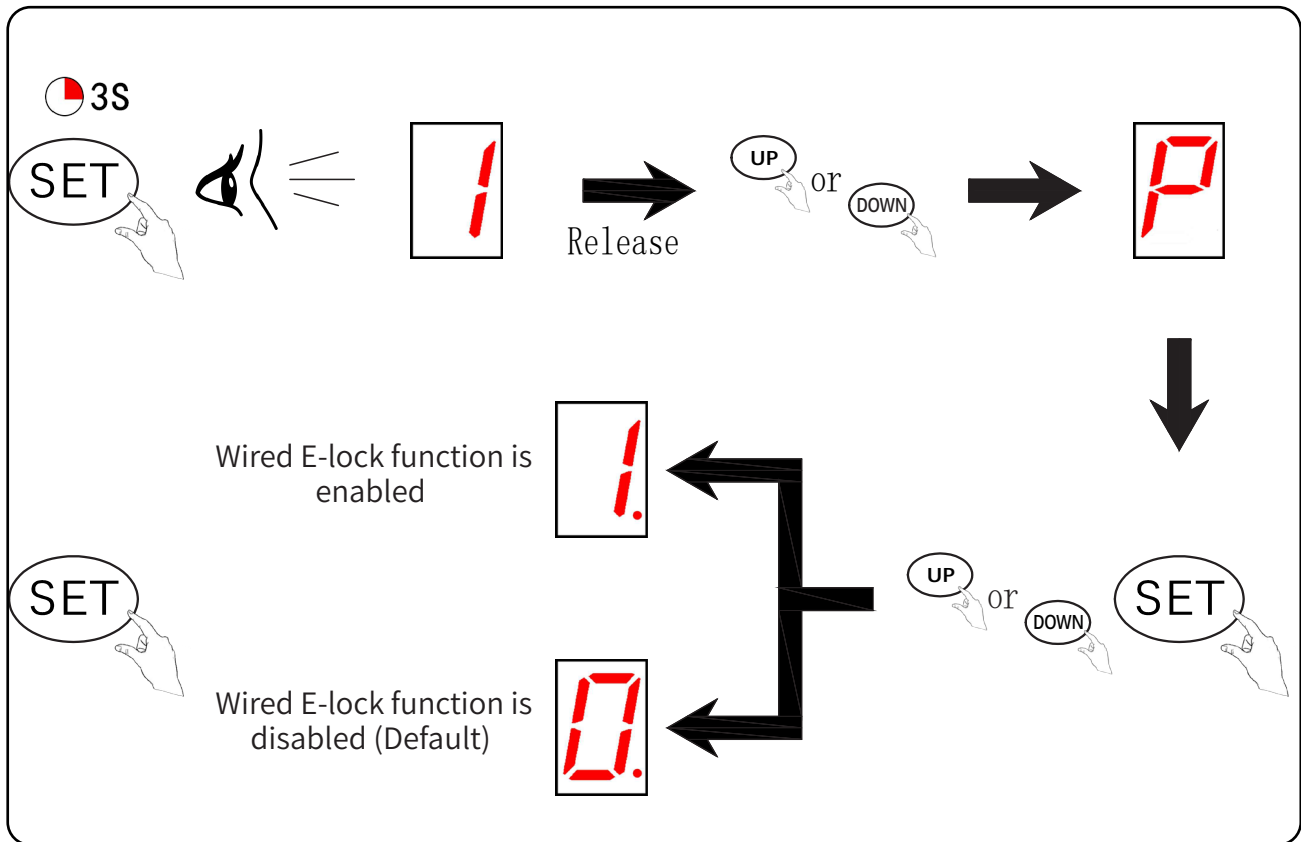
The opening lifting force has been set automatically after travel limit programmed, manual adjustment is unnecessary normally.



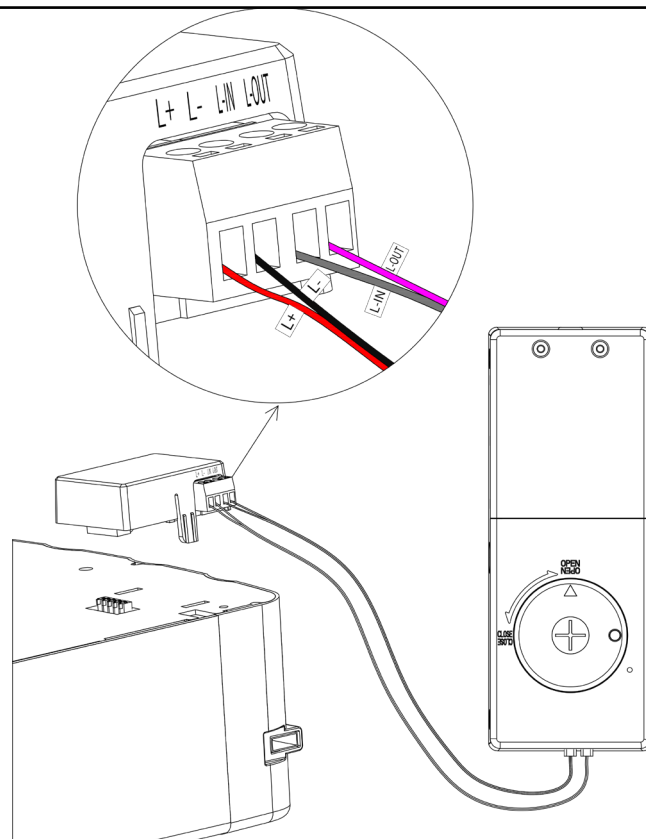


## : Wired E-Lock Function ON/OFF

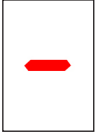
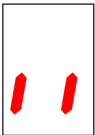
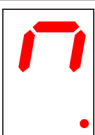
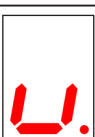

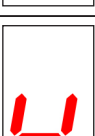
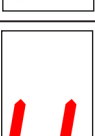
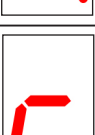

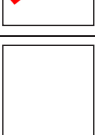
① Connect the wired E-lock to the E-lock port of the motor.



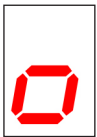
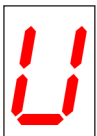
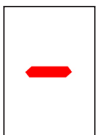

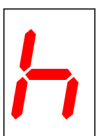
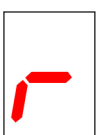
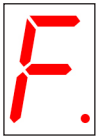
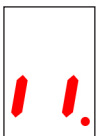
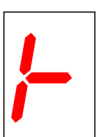
Wired E-lock wiring diagram:



# 10.RUNNING DISPLAY CODES

Display information	
	No travel limit set
	Standby status display
	Open limit learning status display
	Close limit learning status display
	Door is opening
	Door is closing
	Pass door triggered
	Wired photo beam triggered
	Wired E-lock triggered
	Transmitter learning

# 11.COMMON FAULT & SOLUTIONS

Fault display code	Problem Description	Solution
	1. Door travel range exceeds maximum threshold (9m) or falls below minimum requirement (30cm). 2. The door loses balance and affects the proper operation of the motor.	1. Learn the proper travel limit range. 2. Check the door balance (Mechanical parts and springs) or replace a stronger power motor.
	Abnormal voltage input (A low input voltage), or unbalanced door weights.	1. Check the power supply for a right input voltage. 2. Check the door balance (Mechanical parts and springs) or replace a stronger power motor.
	Fail to learn the up and down limit setting Improperly learn the up and down limit setting	Learn "UP" and "DOWN" limit setting again follow the manual
	Hall sensor/wiring fault/ Component fault on PC board.	1. Inspect connections. 2. Replace the PC board.
	Reversed Motor Wiring to PC board.	1. Disconnect from main power supply. 2. Reverse the polarity of gear motor wiring connections at the terminal block. 3. Programme the travel limit.
	The wired photo beam function remains active despite no photo beam being installed.	1. Deactivate the wired photo beam function refer to the manual. 2. Verify proper wiring termination and ensure no physical obstructions are interfering with photoelectric detection.
	Exceeds limit of paired remote controls.	Delete all stored codes on the Opener (Refer the instruction manual).
	Pass door safety protection function is triggered	1. Check the pass door and ensure it has been closed completely. 2. Check the pass door sensor performance.
	1. Wired E-Lock is triggered or faults. 2. The wired E -Lock function (Parameter "P") has been enabled but no wired E-lock is installed.	1. Inspect the electrical connections of the wired E-lock for proper termination and continuity. 2. Verify the operational integrity of the wired E-lock, checking for Physical damage or component malfunction. Improper retraction of the locking bolt mechanism.

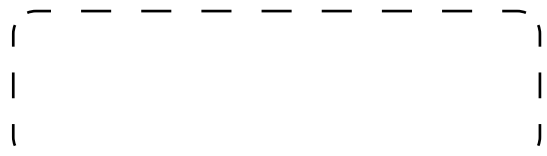
Fault Symptom	Potential Causes	Recommended Solutions
No Response from Openers	1. Power supply interruption	1. Inspect E-Lock wiring integrity
	2. Loose wiring connections	2. Verify E-Lock functionality (ensure bolt retracts properly)
LCD Screen Inoperative	1. Power supply failure	1. Check main power input
	2. Faulty E-Lock mechanism	2. Replace damaged E-Lock components
Position Calibration Error	System limit setting misalignment	Reset travel limits via control panel
LED Indicator Continuously On	1. Control panel malfunction	Replace control board or power supply board
	2. Power board failure	
Caution Light Persists	Circuit board damage	Replace main circuit board
LED Failure	1. Disconnected LED wiring	1. Reconnect LED cables
	2. LED unit defect	2. Install new LED module
	3. Circuit board fault	3. Replace circuit board
Premature Door Reversal	1. Obstruction detected	1. Clear obstruction path
	2. Incorrect door installation	2. Reinstall door track
	3. Travel limit misaligned	3. Adjust force sensitivity and reset travel limits

<b>Fault Symptom</b>	<b>Potential Causes</b>	<b>Recommended Solutions</b>
Door Halts During Opening	1. Safety sensor activation	1. Clean sensor lenses
	2. Track misalignment	2. Realign door track
	3. Foreign object blockage	3. Remove obstructions
Remote Control Malfunction	1. Depleted battery	1. Replace battery
	2. Antenna disconnection	2. Secure/extend antenna
	3. Signal interference	3. Eliminate nearby RF sources
Remote Pairing Failure	Incompatible remote model	Use manufacturer-approved remote control
Motor Runs, Door Static	Motor-rail coupling failure	Inspect and reattach motor-drive rail linkage
Battery Failure	1. Discharged battery	1. Recharge battery
	2. Reverse polarity connection	2. Verify terminal orientation (+/-)
	3. Damaged wiring	3. Replace defective cables
Other Anomalies	External device incompatibility	1. Disconnect non-certified devices
		2. If unresolved, replace circuit board

# Garage Door Opener

Installation Instructions and User Guide

S/N	
-----	--





# Table Of Contents

1. Important safety recommendations 01

2. Important safety for button or coin cell battery 03

3. Pre-installation recommendations 04

4. Installation instructions 05

5. Manual disengagement for C-rail opener 13

6. Maintenance 14



**WARNING**

Please read the manual carefully before installation and use.

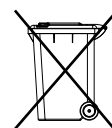
The installation of your new door opener must be carried out by a technically qualified or licensed person.

Attempting to install or repair the door opener without suitable technical qualification may result in severe personal injury, death and / or property damage.

# 1. Important safety recommendations

Failure to comply with the following safety recommendations may result in serious personal injury, death and / or property damage.

1. Please read carefully and adhere to all safety and installation recommendations.
2. The opener is designed and manufactured to meet local regulations. The installer must be familiar with local regulations required in respect of the installation of the opener.
3. Unqualified personnel or those persons who do not know the occupational health and safety standards being applicable to automatic gates and other doors, must in no circumstances carry out installations or implement systems.
4. Persons who install or service the equipment without observing all the applicable safety standards will be responsible for any damage, injury, cost, expense or claim whatsoever any person suffered as a result of failure to install the system correctly and in accordance with the relevant safety standards and installation manual whether directly or indirectly.
5. For additional safety we strongly recommend the inclusion of Photo Beam. Although the opener incorporates a pressure sensitive Safety Obstruction Force system the addition of Photo Beam will greatly enhance the operating safety of an automatic garage door and provide additional peace of mind.
6. Make sure that the garage door is fully open & stationary before driving in or out of the garage.
7. Make sure the garage door is fully closed & stationary before leaving.
8. Keep hands and loose clothing off the opener and garage door all the time.
9. The Safety Obstruction System is designed to work on STATIONARY objects only. Serious personal injury, death and / or property damage may occur if the garage door comes into contact with a moving object.
10. This appliance is not intended for use by persons (including children) with reduced physical, sensory or mental capabilities, or lack of experience and knowledge, unless they have been given supervision or instruction concerning use of the appliance by a person responsible for their safety. Children should be supervised to ensure that they do not play with the appliance.
11. Waste electrical products should not be disposed of with household waste. Please recycle where facilities exist. Check with your local authority or retailer for recycling advice.



12. If the supply cord is damaged, it must be replaced by the manufacturer, its service agent or similarly qualified persons in order to avoid a hazard.

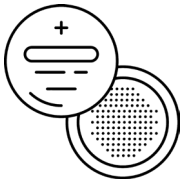
- WARNING: Important safety instructions. It is important for the safety of persons to follow all instructions. Save these instructions.
- Do not allow children to play with door controls. Keep remote controls away from children.
- Watch the moving door and keep people away until the door is completely opened or closed.
- Take care when operating the manual release since an open door may fall rapidly due to weak or broken springs, or being out of balance.
- Frequently examine the installation, in particular check cables, springs and mountings for signs of wear, damage or imbalance. Do not use if repair or adjustment is needed since a fault in the installation or an incorrectly balanced door may cause injury.
- Each month check that the drive reverses when the door contacts a 50 mm high object placed on the floor. Adjust if necessary and recheck since an incorrect adjustment may present a hazard, for drives incorporating an entrapment protection system depending on contact with the bottom edge of the door.
- Details on how to use the manual release.
- Information concerning the adjustment of the door and drive.
- Disconnect the supply when cleaning or carrying out other maintenance.
- The installation instructions shall include details for the installation of the drive and its associated components.

## 2. Important safety for button or coin cell battery

### 1. WARNING



**WARNING**



**This product contains a button or coin cell battery**

### 2. The battery is hazardous and must be kept out of reach of children

The battery can cause severe or fatal injuries within 2 hours or less if swallowed or placed inside any part of the body.

If you suspect the battery has been swallowed or placed inside any part of the body, **SEEK IMMEDIATE** medical attention.

### 3. Transmitter Battery Replacement

3.1 Remove the fixing screws located on the underside of the Hand-Held Transmitter.

3.2 Open the 2 halves of the Transmitter shell and replace the battery with one of identical specification.

3.3 Test that the Red Coloured Indicator lamp illuminates when one of the Transmitter buttons is pressed and then replace the fixing screws.

### 4. Wall Switch-Wireless Battery Replacement

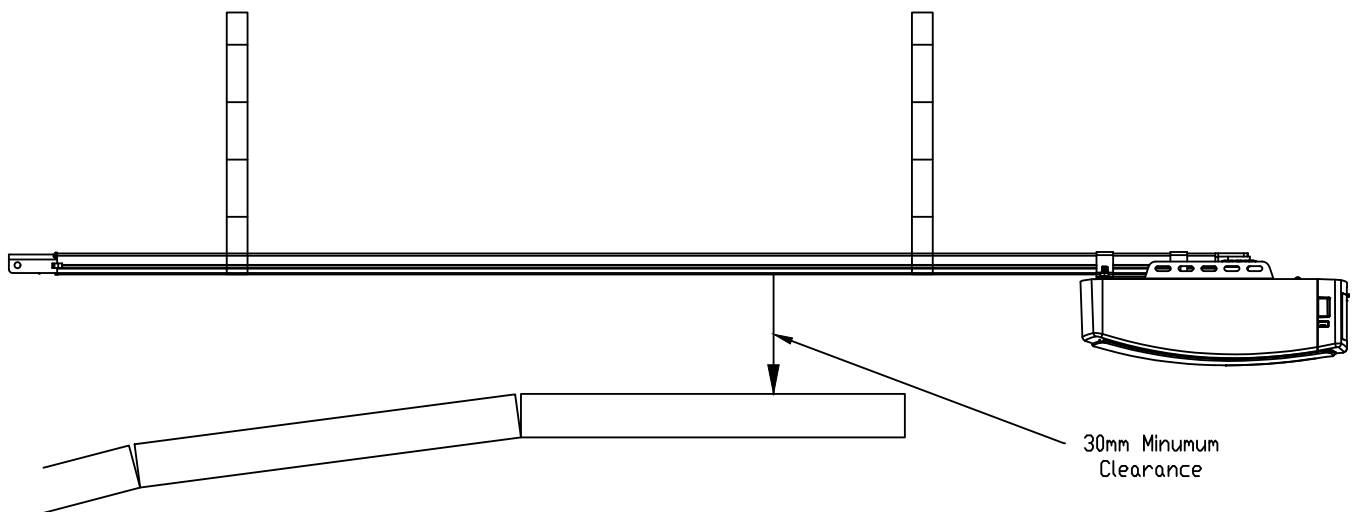
4.1 Remove the cover plate while the unit is still mounted to the wall by sliding and twisting a straight screwdriver in the slot provided on the top and underside of the wall plate.

4.2 Use a small Phillips Head Screwdriver remove the 4 screws holding the switches in place.

4.3 Replace the battery with one of identical specification.

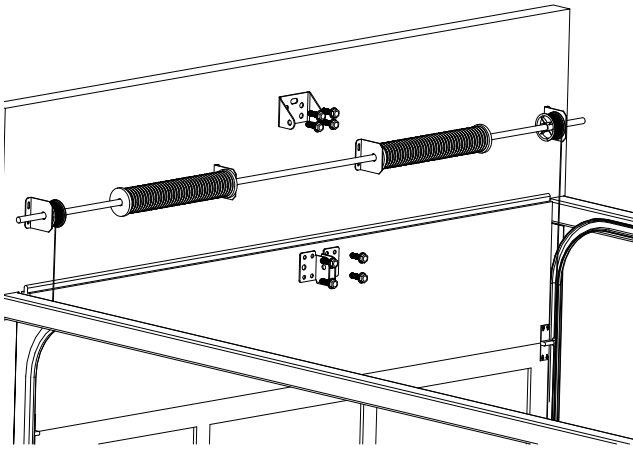
## 3. Pre-installation recommendations

1. Garage door must be able to be lifted and closed easily by hand and without much effort. A well balanced & sprung door is critical for proper installation.
2. The garage door opener can't compensate for a badly installed garage door and should not be used as a solution for a "hard to open" door.
3. If the unit is being installed on an existing door, make sure any existing locking devices are removed or warranty will be void.
4. An approved outlet must be installed near where the opener is begin installed.
5. There should be a minimum gap of 30mm between the bottom of the chain drive rail and the top of the garage door at its closest point.  
Important note: As for additional safety rules, we strongly recommends the fitting of Photo Electric safety beams on all installations.



## 4. Installation instructions

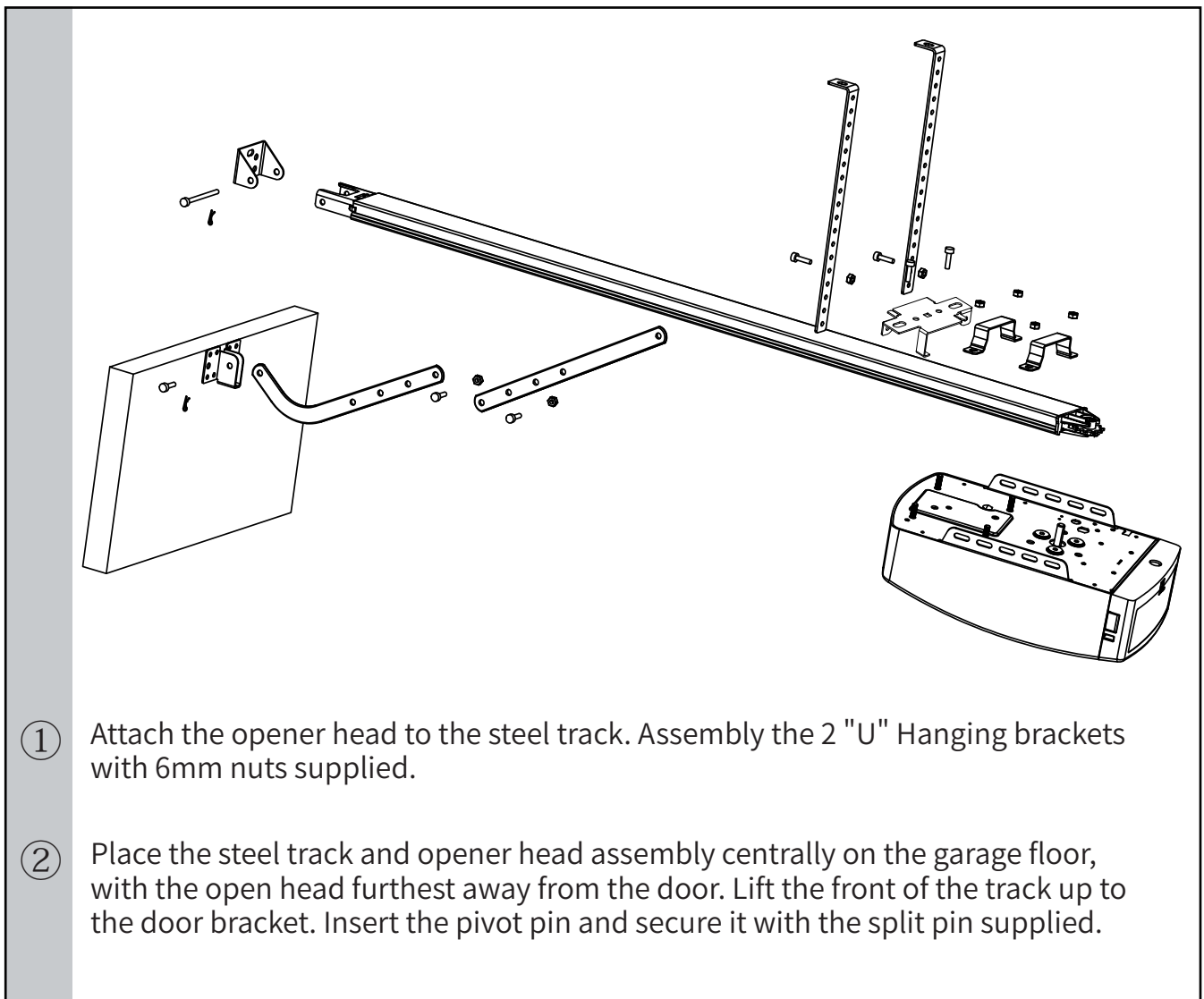
### Mount wall bracket and door bracket



**Wall Bracket** - Close the garage door and measure the garage door width at the top and mark the centre. Locate and mount the wall bracket 2cm-15cm above the door on the inside wall. (Depend on the actual installation space).

**Door Bracket** - Fix the door bracket to a structural part of the door as close to the top edge as possible.

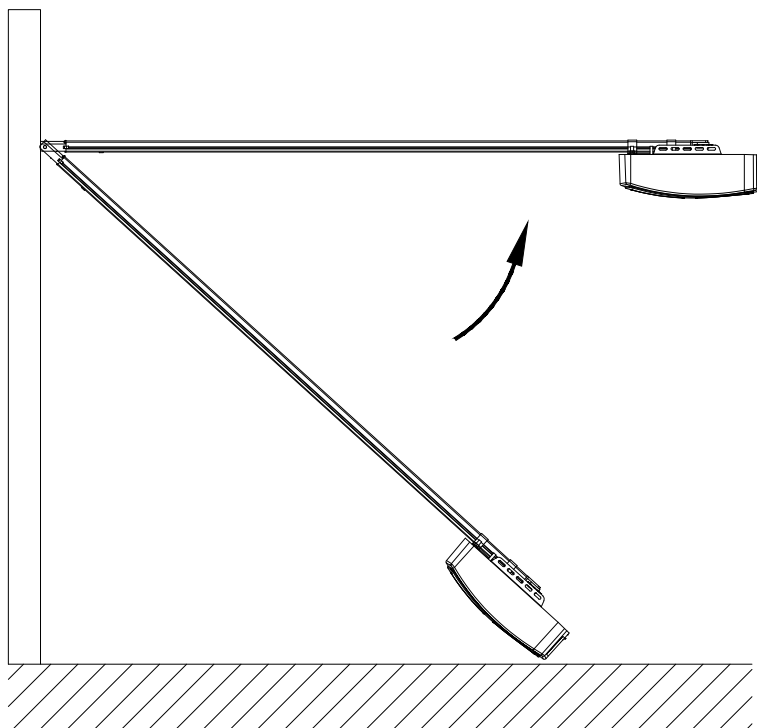
### Installation (Steel C-Rail)



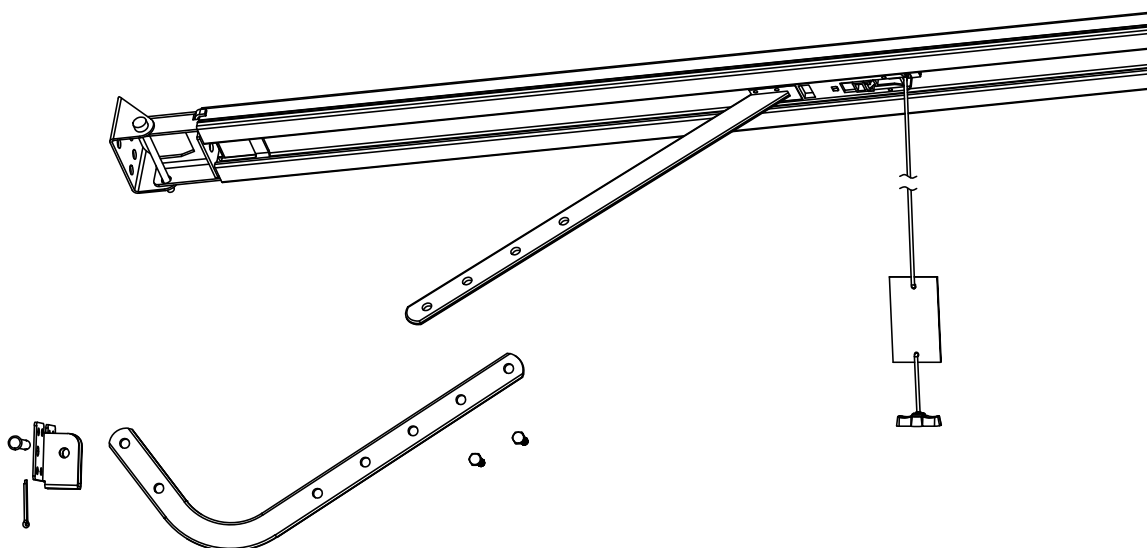
- ① Attach the opener head to the steel track. Assemble the 2 "U" Hanging brackets with 6mm nuts supplied.
- ② Place the steel track and opener head assembly centrally on the garage floor, with the open head furthest away from the door. Lift the front of the track up to the door bracket. Insert the pivot pin and secure it with the split pin supplied.

③

Lift and support the opener head (with a ladder) so it is positioned centrally and level. Fix the opener and track on ceiling by Iron bracket A & B.



④



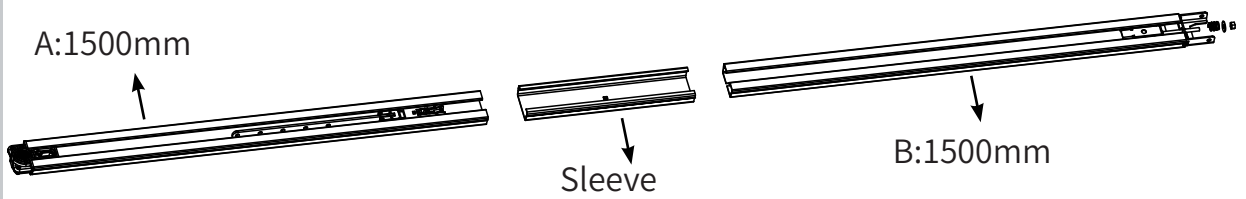
**WARNING:** Do not allow children around the door, opener or supporting ladder serious injury and/or damage may result from failure to follow this warning.

Connect the straight arm to the bent arm with the bolt. Position and bolt the arms to the top edge of the door using the bolt supplied.

⑤

Lift the garage door until the shuttle locks into the drive chain/belt. Now, ready to program the openers.

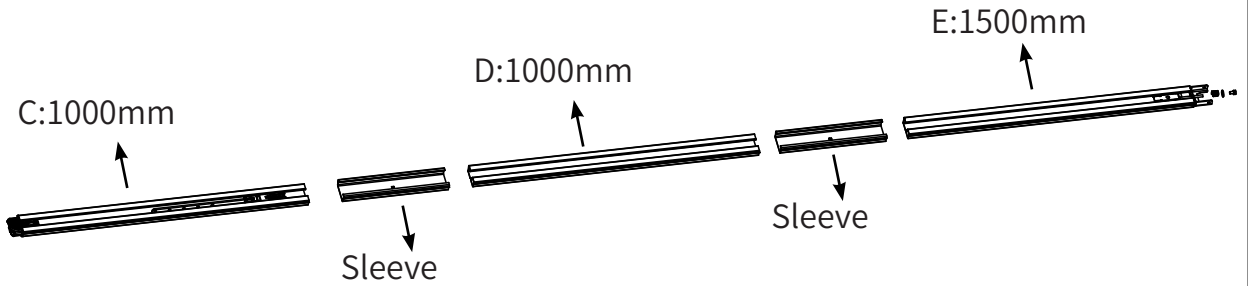
# Sectional steel C-rail assembly



## 2-Parts Steel Track

Slide the A rail into the sleeve, slide the B rail into the sleeve.

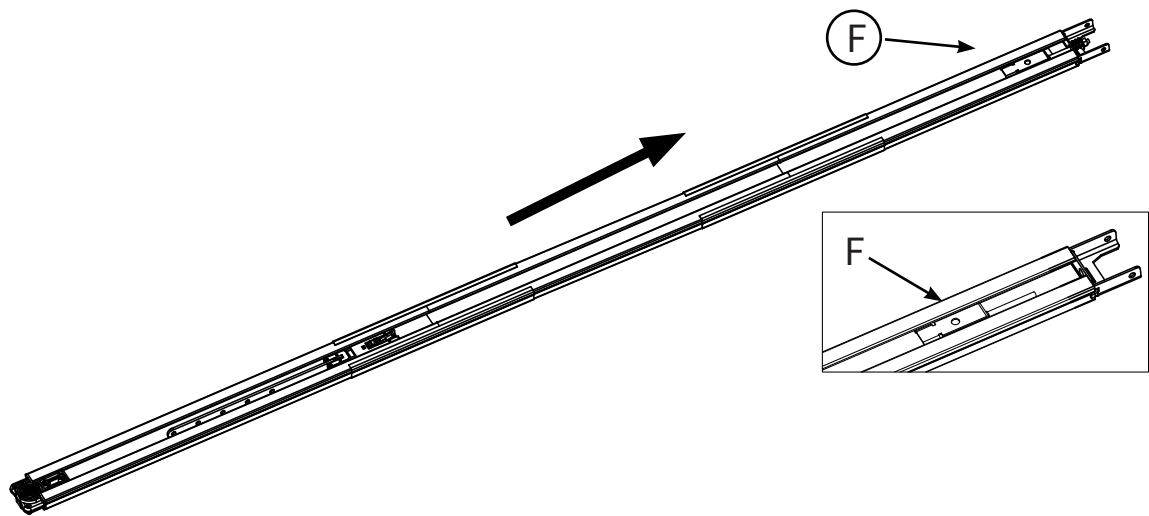
①



## 2-Parts Steel Track

Slide the C rail into the sleeve, slide the D rail into the sleeve; slide the E rail into the sleeve.

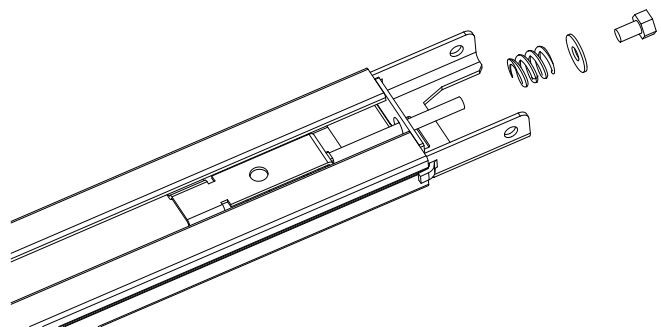
②



Cut the plastic thread; pull the screw rod along with inner chain to the end rail position.

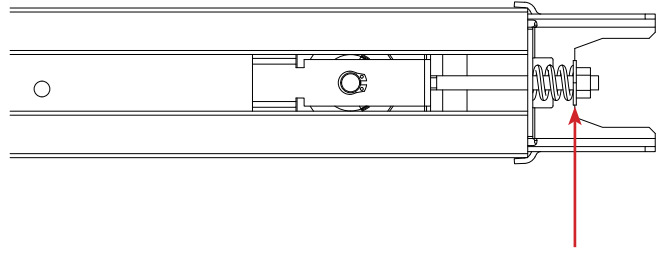
③

Release the nut & spring



④

Tight the nut to the right position as shown, cut the plastic tape, cut the plastic thread on sprocket, then whole rail assembled finished.



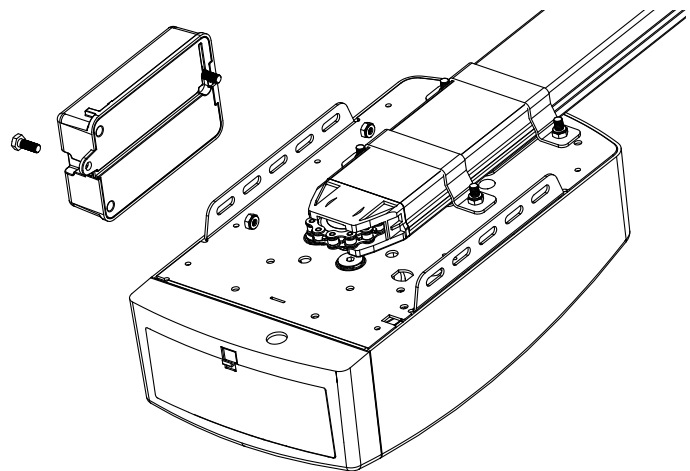
## Battery backup assembly for c-rail (optional)

Please choose the installation method according to the actual situation.

Side fixed (for lithium battery, metal base motor)

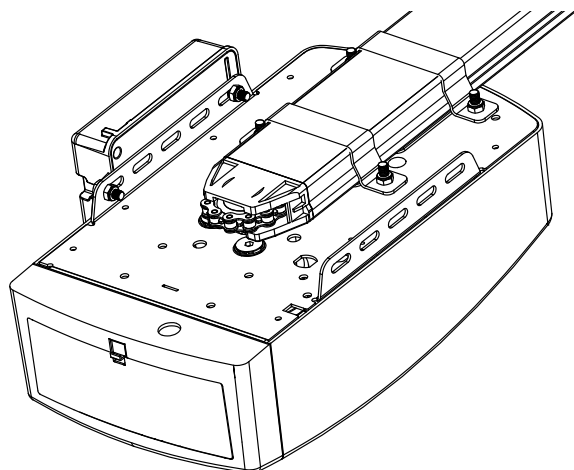
①

Screw the bracket



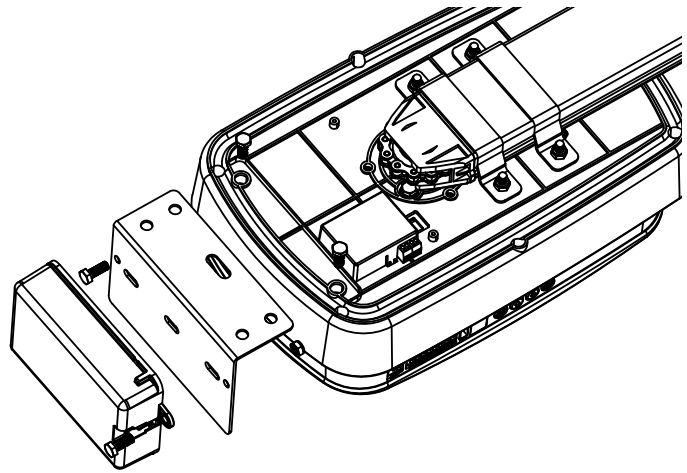
②

Fix the battery to the bracket with screws.

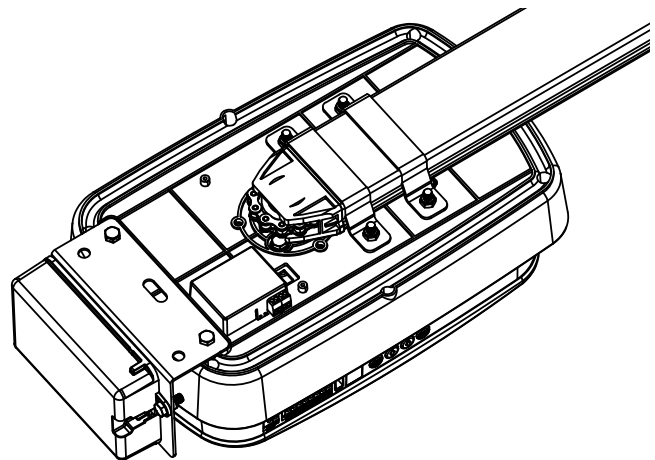


## Rear fixed(for lithium battery, plastic base motor)

① Screw the bracket

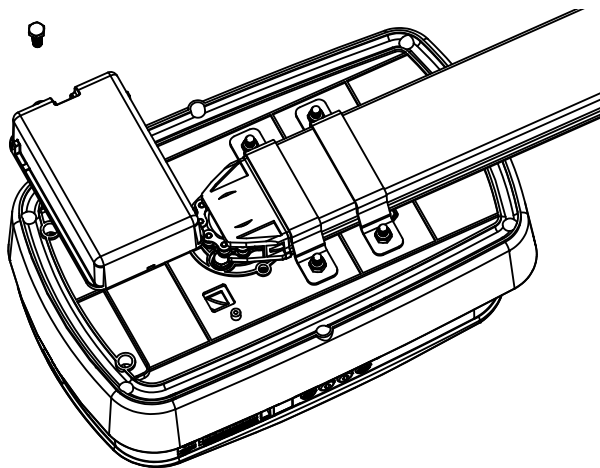


② Fix the battery to the bracket with screws.

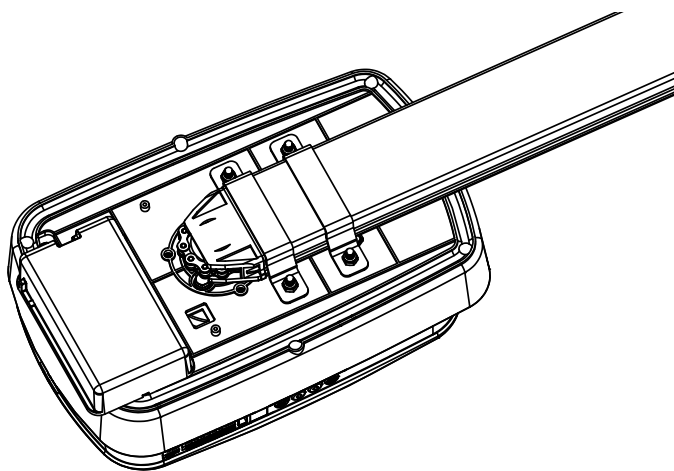


## Top fixed (for lithium battery, plastic base motor)

① Screw the bracket



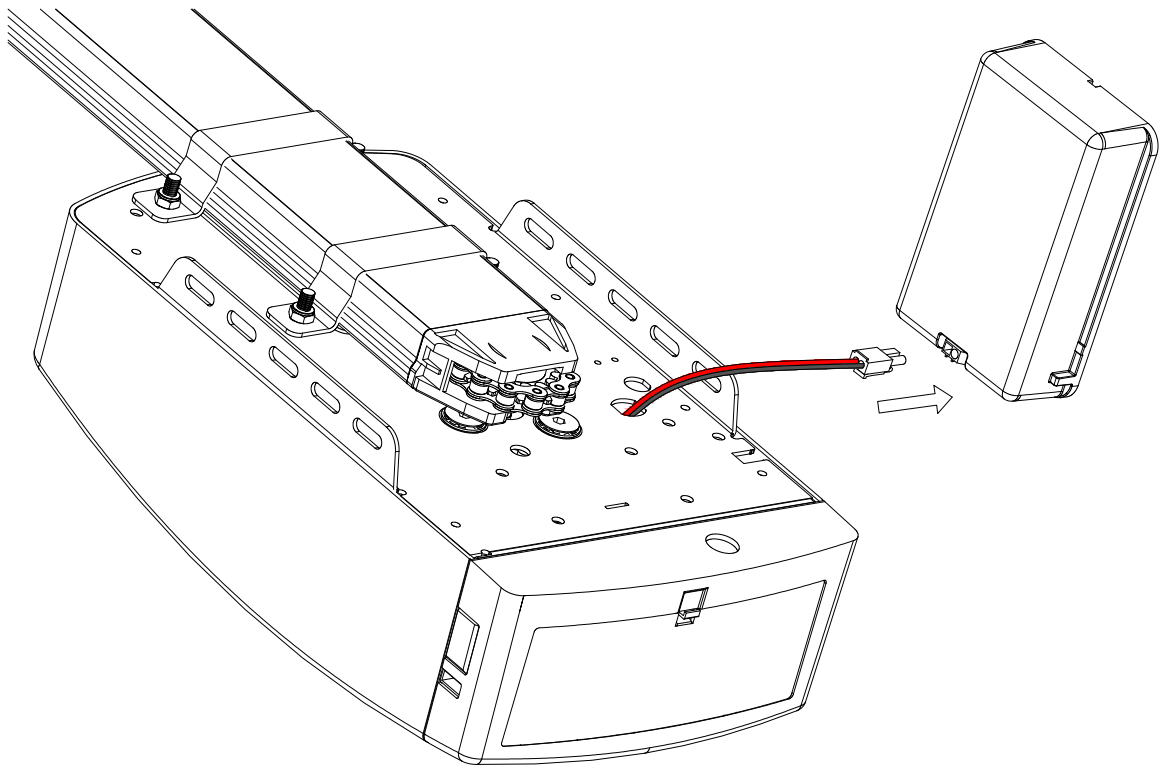
② Fix the battery to the bracket with screws.



## Battery connection instructions (optional accessory)

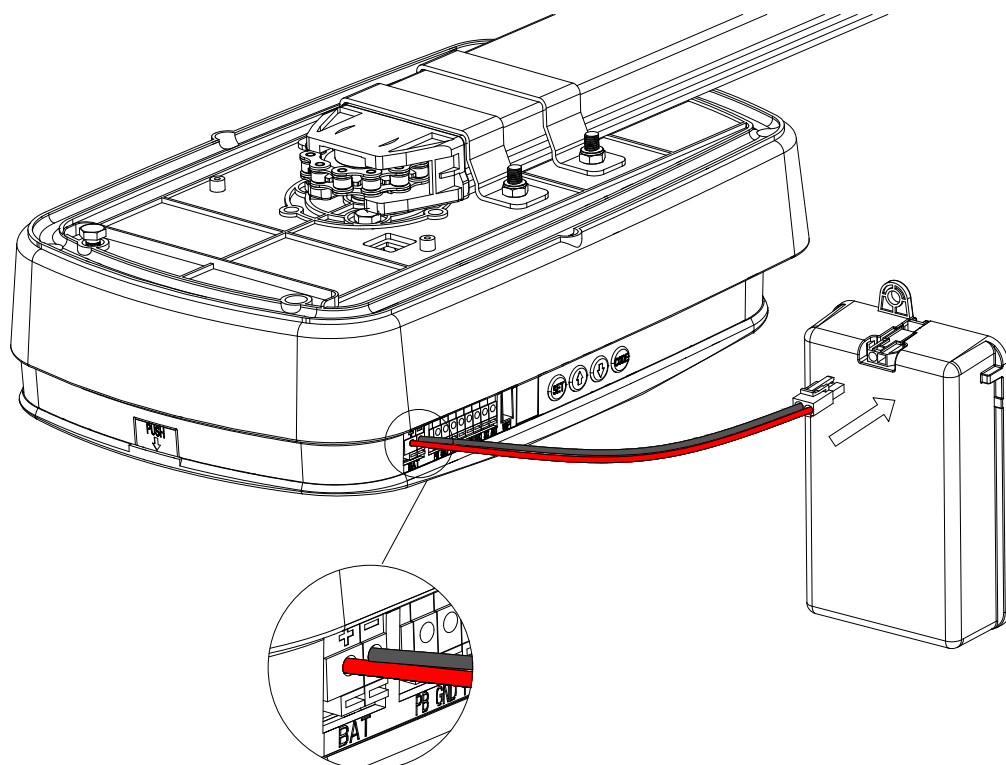
### 1: Pre-assembled battery wire connection

Connect the pre-assembled battery wire from the motor to the battery(Male and female)



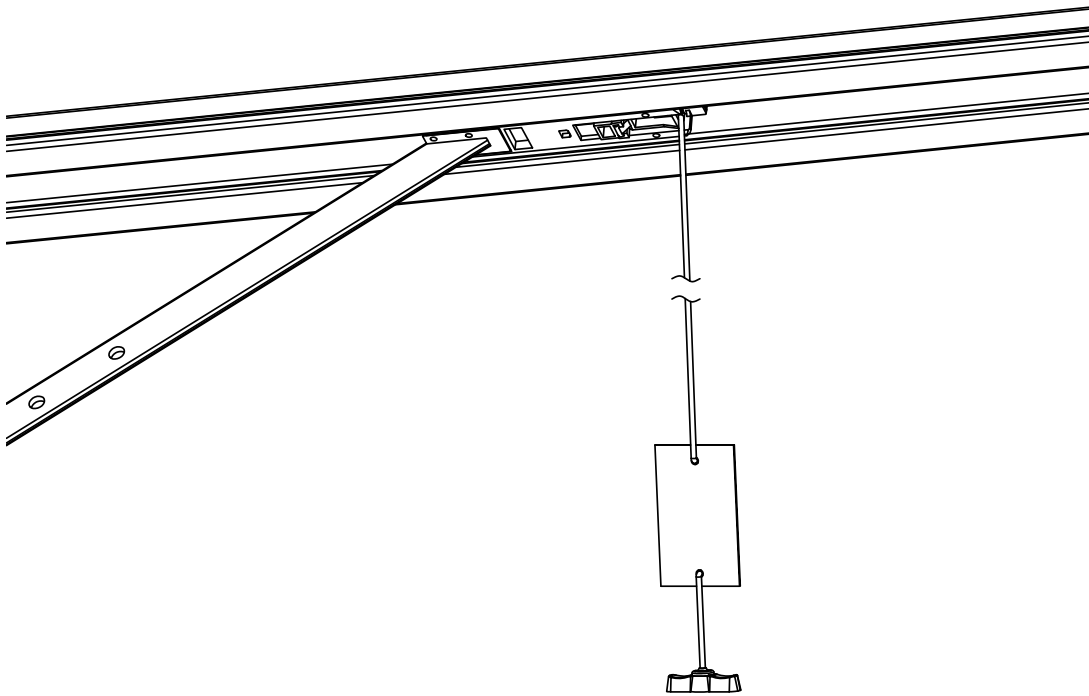
### 2: Separate assembled battery wire connection

Part of the motor battery port connection - schematic diagram, as shown below

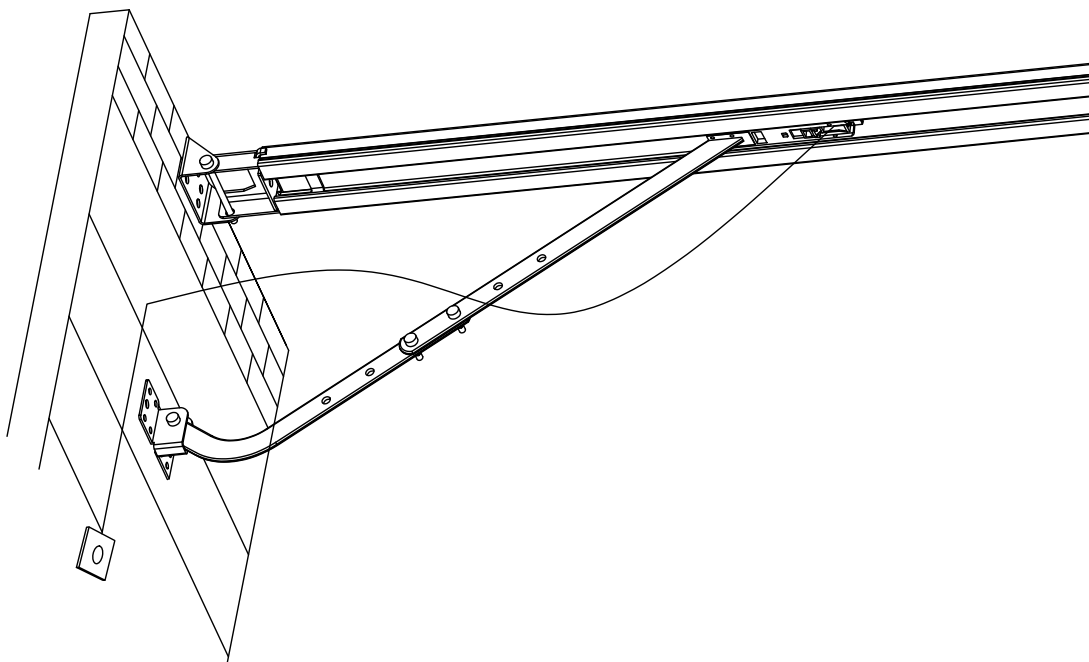


1. Get the extra battery wire from the motor carton box.
2. Connect the battery wire from the motor to the battery (Male and female)  
Red battery wire connected to "+" pole  
Black battery wire connected to "-" pole

## 5. Manual disengagement for C-rail opener



The opener is equipped with a manual release cord to disengage shuttle and move door by hand while holding the handle down. Pull on the handle to disengage the shuttle. To re-engage the door simply run opener in automatic mode or move door by hand until the trolley engages in the chain shuttle.



In some situations that a pedestrian door is not in state, it is recommended that an external disengagement device should be fitted.

## 6.Maintenance

1. No particular maintenance is required for the logic circuit board.

Check the door at least twice a year if it is properly balanced, and all working parts are in good working condition or not.

Check the reversing sensitivity at least twice a year, and adjust if it is necessary.

Make sure that the safety devices are working effectively (photo beams, etc.)

2. Regarding the maintenance alarm function:

LED light flashes 10 times quickly means the door lost balance, strong recommend the maintenance for garage doors. "Check" the status, or "Re-learn" the travel limit after maintenance alarm cautions.

**Notice:** A rude operating door can affect the life of the automatic opener due to incorrect loads, and will avoid the warranty.