

Installation Instructions and User Guide



Roller Door Opener

8001-0011-05 V2.0

Important Safety Instructions

It is important for the safety of persons to follow all instructions. Follow all instructions as incorrect installation can lead to severe injury. Save these instructions.

- Before installing the drive, check that the door is in good mechanical condition, correctly balanced and opens and closes properly.
- The drive is intended to be installed at least 2.5 m above the floor or other access level;
- Can be used with doors having openings greater than 50 mm in diameter;
- Is intended for automatic operation.

The door is deemed to be well balanced and aligned if it:

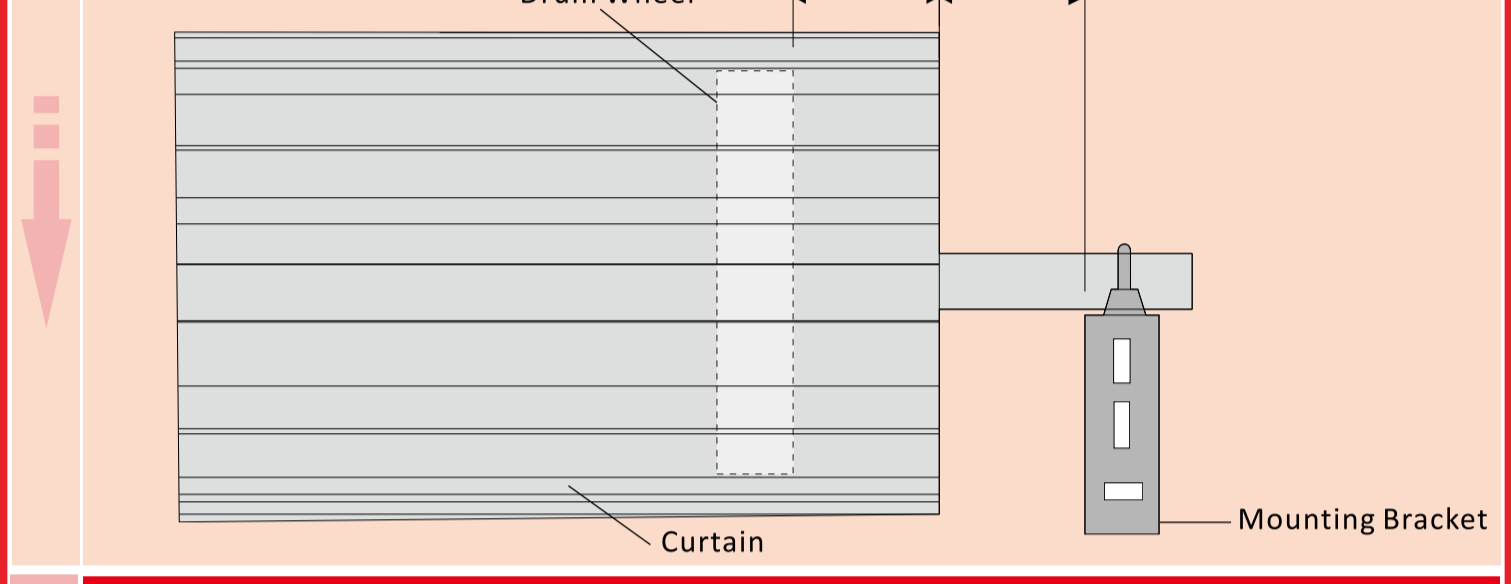
- requires an equivalent amount of applied force to either manually open or close.
- requires no more than 150N (15kg) of applied force to either manually open or close.
- does not rise or fall more than 100mm when released at any point between fully open or fully closed positions.
- does not rub on or incorrectly make contact with any supporting or surrounding structures

- Have a qualified person check and make repairs if required.
- Before installing the drive, remove all unnecessary ropes or chains and disable any equipment, such as locks, not needed for powered operation.
- Install the actuating member for the manual release at a height less than 1.8m
- Permanently fix the label concerning the manual release adjacent to its actuating member.
- Install any fixed control at a height of at least 1.5m and within sight of the door but away from moving parts.
- Permanently fix the labels warning against entrapment in a prominent place or near any fixed controls.
- After installation, ensure that the mechanism is properly adjusted and that the drive reverses when the door contacts a 50 mm high object placed on the floor, for drives incorporating an entrapment protection system depending on contact with the bottom edge of the door.
- After installation, ensure that the parts of the door do not extend over public footpaths or roads.
- After installation, ensure that the drive prevents or stops the opening movement when the door is loaded with a mass of 20 kg, fixed centrally on the bottom edge of the door (for drives that can be used with doors having openings larger than 50 mm in diameter).
- Never use the Drive unless the opening door is in full view and free from any object which may impede its movement such as cars or persons.
- This appliance can be used by children aged from 8 years and above and persons with reduced physical, sensory or mental capabilities or lack of experience and knowledge if they have been given supervision or instruction concerning use of the appliance in a safe way and understand

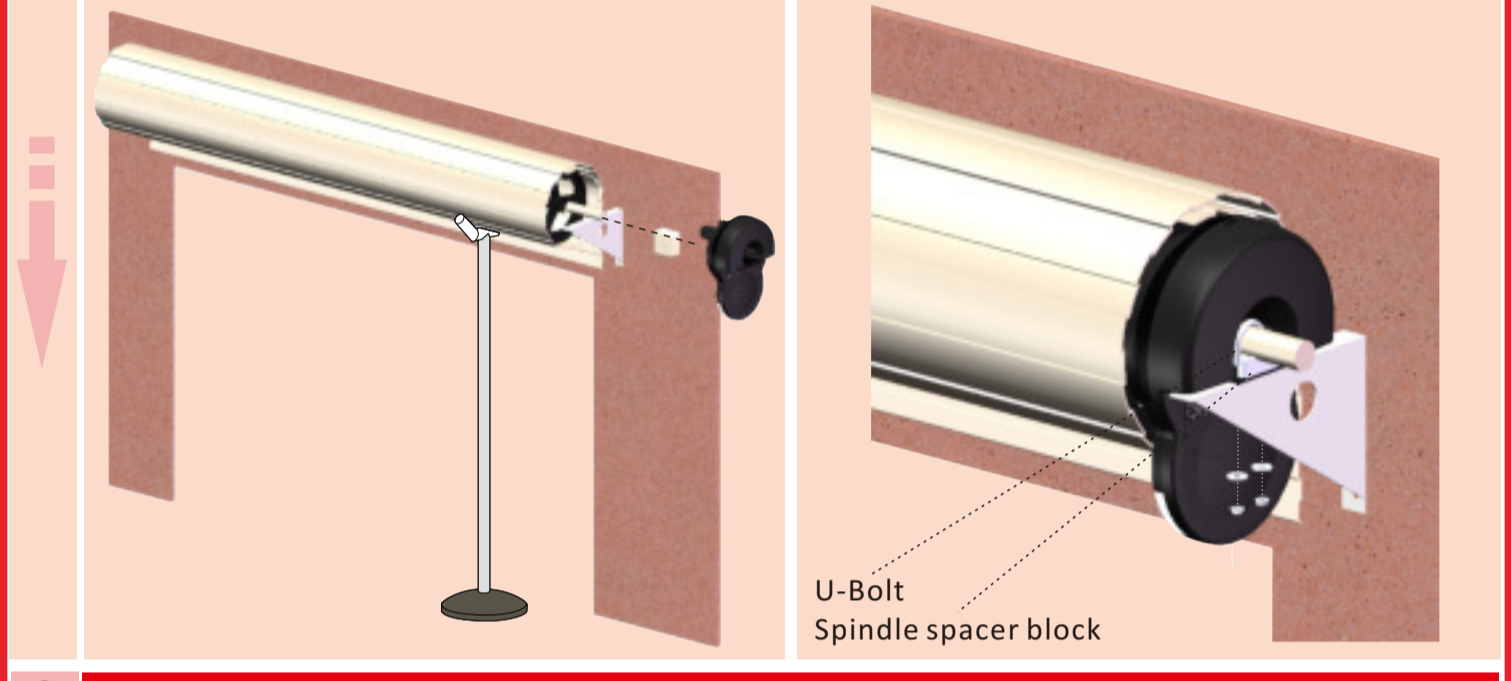
- the hazards involved.
- Children shall not play with the appliance.
- Cleaning and user maintenance shall not be made by children without supervision
- Do not allow children to play with door controls. Keep remote controls away from children;
- Watch the moving door and keep people away until the door is completely opened or closed.
- Take care when operating the manual release since an open door may fall rapidly due to weak or broken springs, or being out of balance.
- Frequently examine the installation, in particular check cables, springs and mountings for signs of wear, damage or imbalance. Do not use if repair or adjustment is needed since a fault in the installation or an incorrectly balanced door may cause injury.
- Each month check that the drive reverses when the door contacts a 50 mm high object placed on the floor. Adjust if necessary and recheck since an incorrect adjustment may present a hazard.
- Never attempt to open or close the garage door by pulling on the Engage/Disengage Cord.
- Removal of the protective covers must only be performed by a technically qualified person.
- Never attempt to make any repairs or remove covers from the Drive without first disconnecting the power cord from power supply.
- For safety reasons always ensure that the garage door is fully open and stationary before driving into or out of the garage.
- For security reasons always ensure the garage door is fully closed and stationary before moving out of its view.
- Keep hands and loose clothing clear of the Drive and moving garage door at all times.
- In order for the Safety Reverse system to function it must first encounter an obstruction in the form of an object/person on to which some force **must** be exerted. As a result the object/person/garage door may suffer damage and/or injury.
- Adjustments to the Safety Reverse system settings must only be carried out by a technically qualified person.
- The Safety Reverse System is designed to work on STATIONARY objects only. Serious personal injury, death and/or property damage may occur if the garage door comes into contact with a moving object during an opening or closing movement.
- For additional safety we strongly recommend the inclusion of Safety Beams. Although the Drive incorporates a pressure sensitive Safety Reverse system, the addition of Safety Beams will greatly enhance the safety of an automatic garage door and provide additional peace of mind. In some countries it is a mandate of law to fit Safety Beams. It is the sole responsibility of the owner/installer to fit Safety Beams in those countries that so require.

A Installation and Setup

1 Check Side Room Requirement



2 Fit Opener to Door (right hand installation described)



3 Select Installation Side

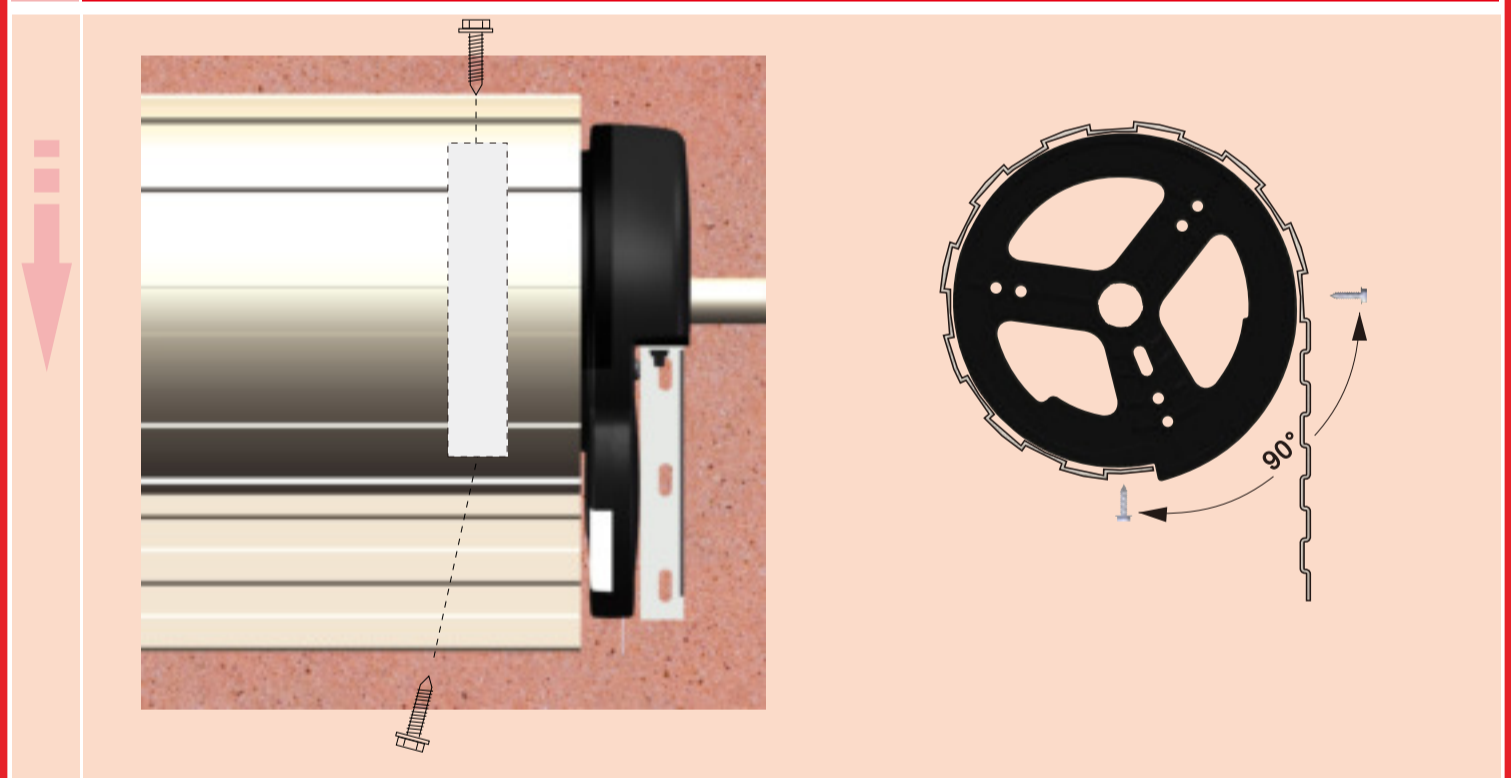
Determine to which end of the door the Opener will be installed and select the dip switch according to the following:

- Left Hand Side Installation - Dip (NO)
- Right Hand Side Installation - Dip (NO)

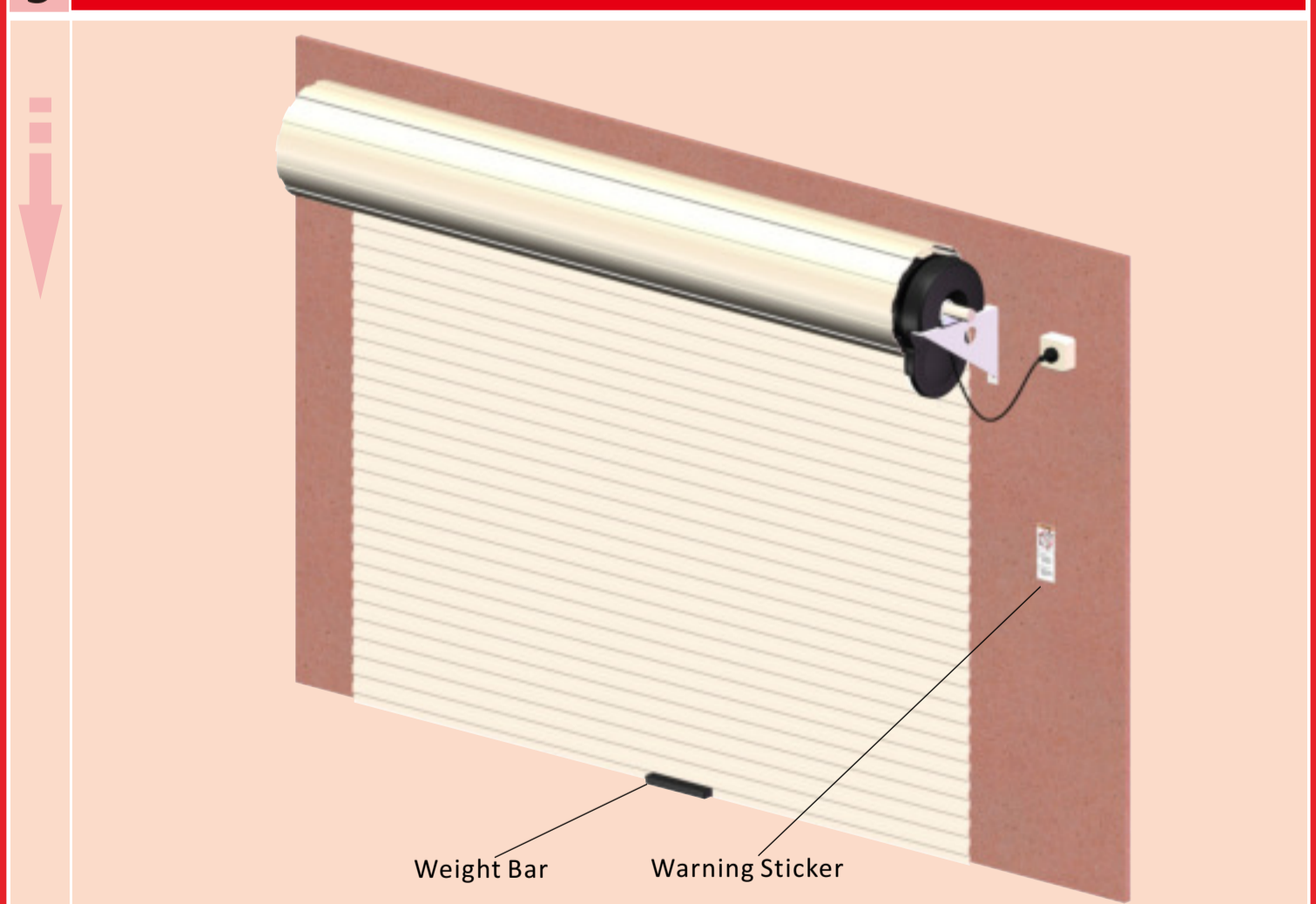
- Refer Sec II for dip switch location

- Note - Installation side is referred to as "inside looking out"

4 Pin Curtain to Drum Wheel



5 Fit Weight Bar, Attach Entrapment Warning Label and Connect to Power Supply



B Learning

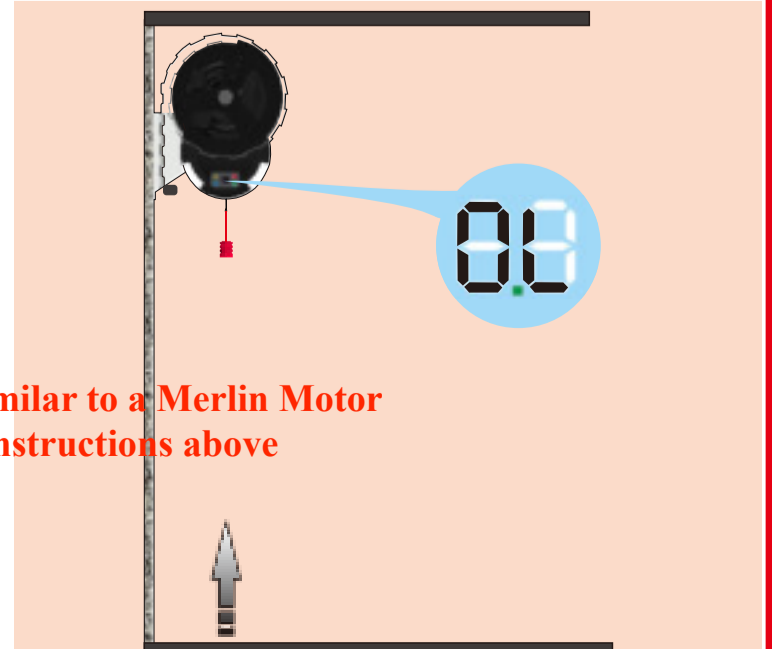
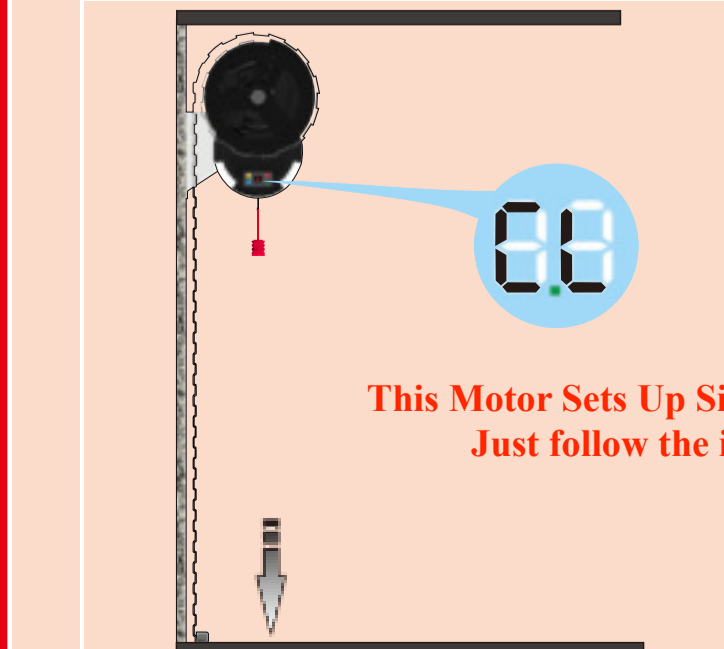
1 Close Limit

- 1.) Long press until is displayed
- 2.) Use and to move the door to close position
- 3.) Momentarily press to store closed position, is displayed

2 Open Limit

- 4.) Use and to move the door to open position
- 5.) Momentarily press to store open position, is displayed
- 6.) Momentarily press door will first open to find the track stop (rP) and then automatically close to learn safety reverse force values - display will extinguish - Learning completed.

Note: After every power outage the door will first open to find the reference point (rP). It will only be possible to close the door once it has found the reference point.



**This Motor Sets Up Similar to a Merlin Motor
Just follow the instructions above**