

E-LOCK - 600024-1

Merlin®

OVERVIEW

The E-Lock uses a mechanical lock to hold a gate in the closed position.

The lock is released with a 24V pulse signal or, in the event of power loss, by using the supplied key to manually release the lock.

They are ideal for additional security, but also to limit gate movement in windy conditions.

The E-Lock is available in either a vertical or horizontal mounting option.

TECHNICAL SPECIFICATIONS

Power Required	24VDC
Current	625mA @24VDC
Cable size	0.75mm ² (not supplied)

CONTENTS

Horizontal E-Lock



Horizontal Strike Plate



Vertical E-Lock



Vertical E-Lock Strike Plate

Contents:

E-Lock (vertical or Horizontal)

Strike Plate (vertical or Horizontal)

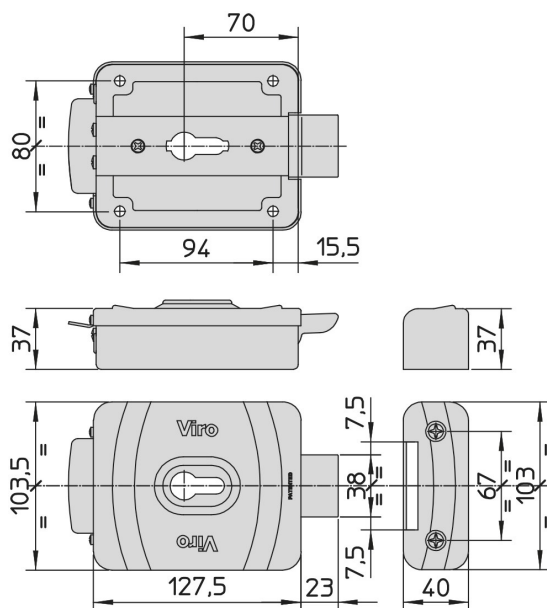
Key barrel and keys (pre-fitted)

Weather shield plate (vertical or Horizontal)

Not Supplied

Mounting hardware and cable

DIMENSIONS



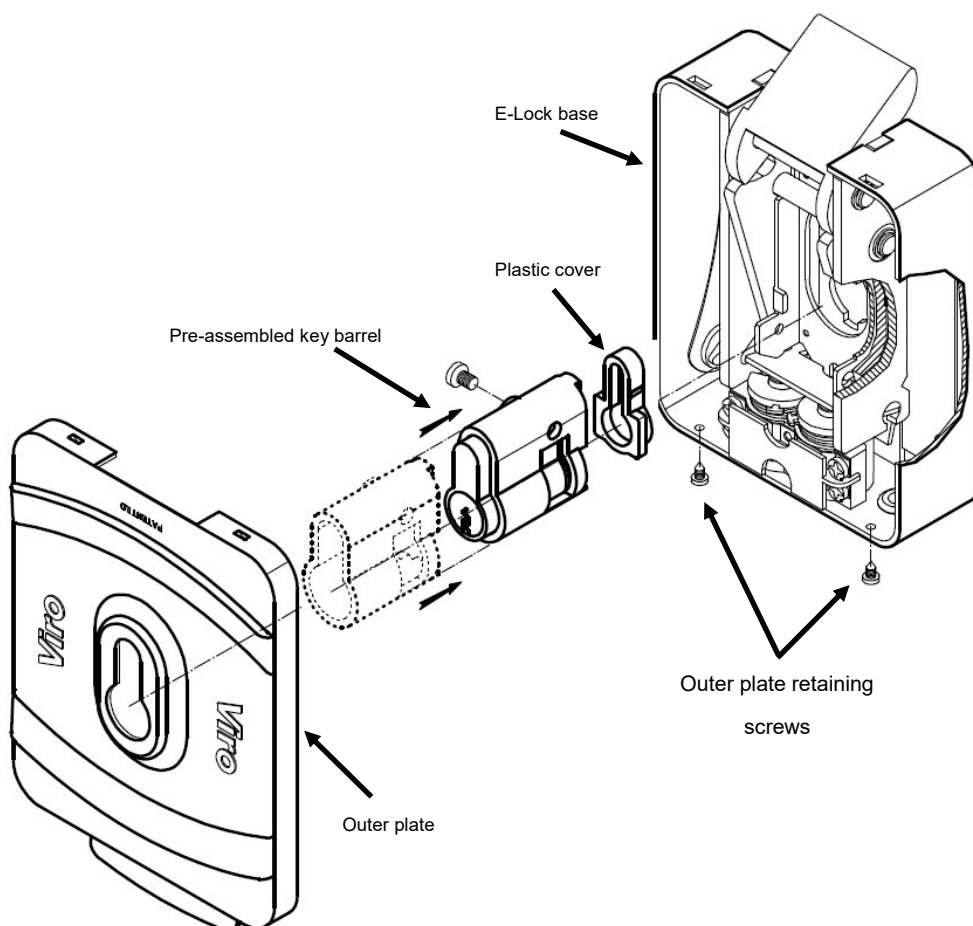
INSTALLATION



Do not install the E-Lock prior to Basic Setup.

Ensure the gate controller has been configured for an E-Lock.

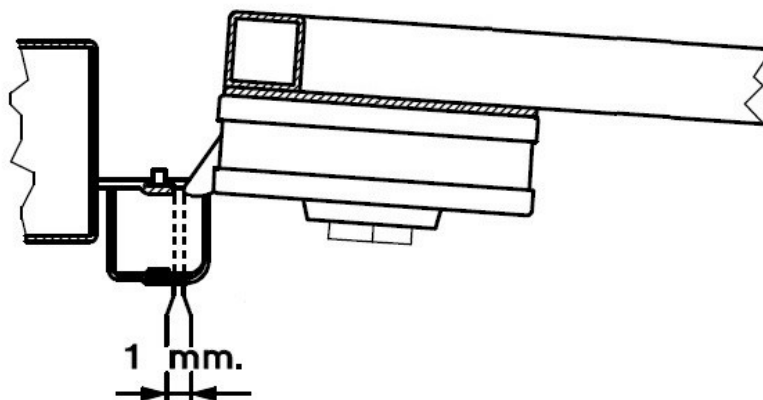
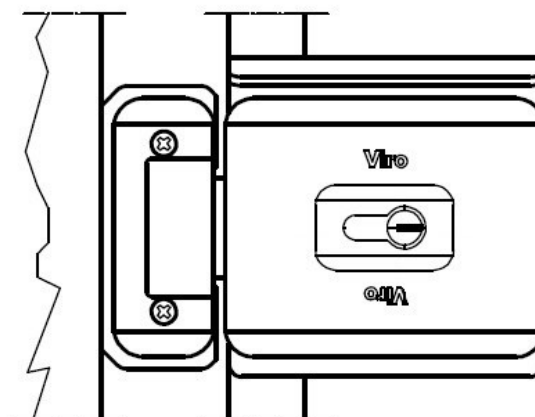
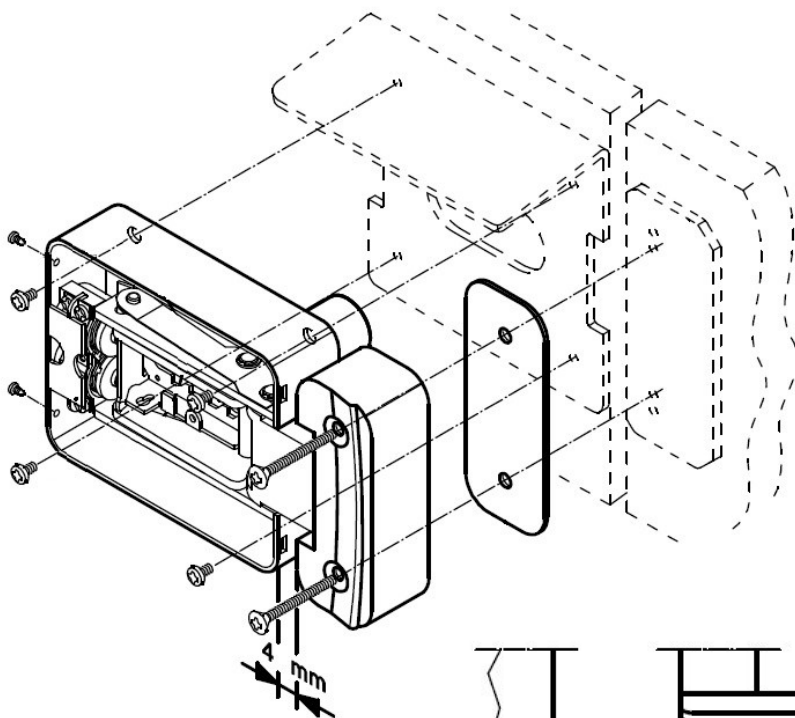
- 1) Disassemble the E-Lock by removing the two screws securing the outer plate.
- 2) Remove the key barrel, taking care not to misplace the plastic cover in the lock base.



INSTALLATION

HORIZONTAL E-LOCK

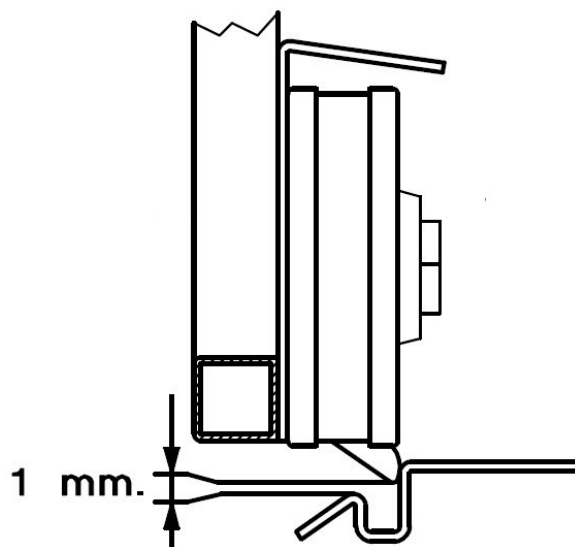
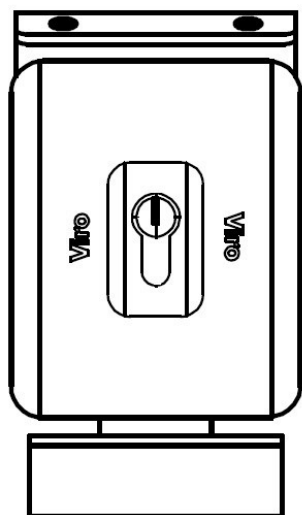
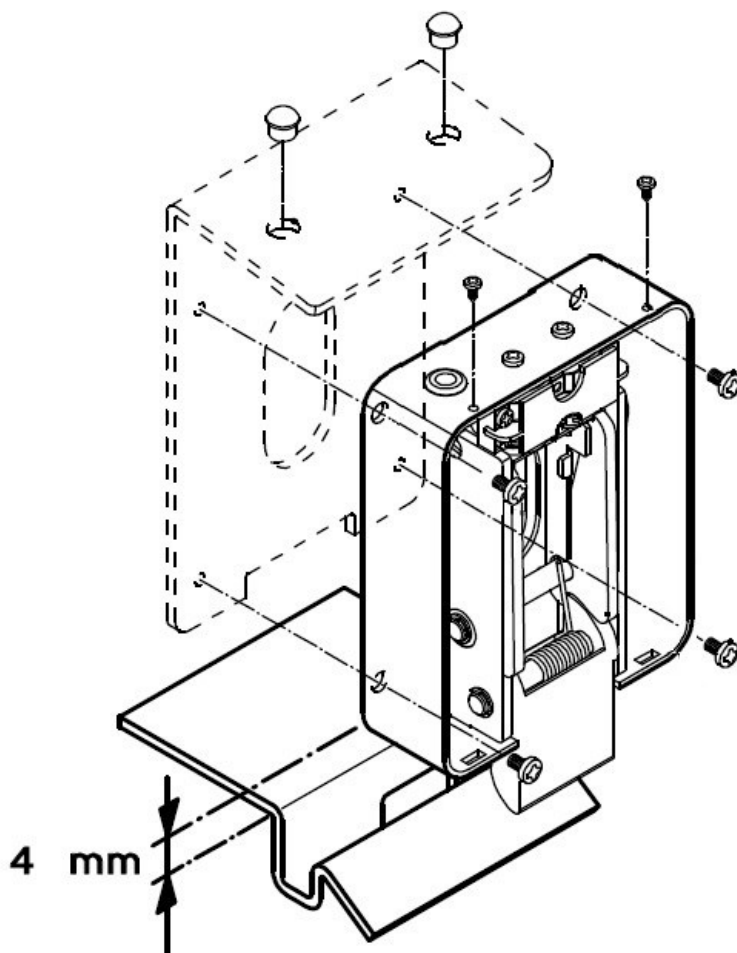
- 1) Mount the E-Lock base to the gate leaf ensuring 4mm clearance to the strike plate.
- 2) Install the optional weather shield plate behind the E-Lock base. Install the corresponding thickness plate behind the strike plate in addition to the standard strike plate base plate.
- 3) Ensure the latching tongue is 1mm from the strike plate.



INSTALLATION

VERTICAL E-LOCK

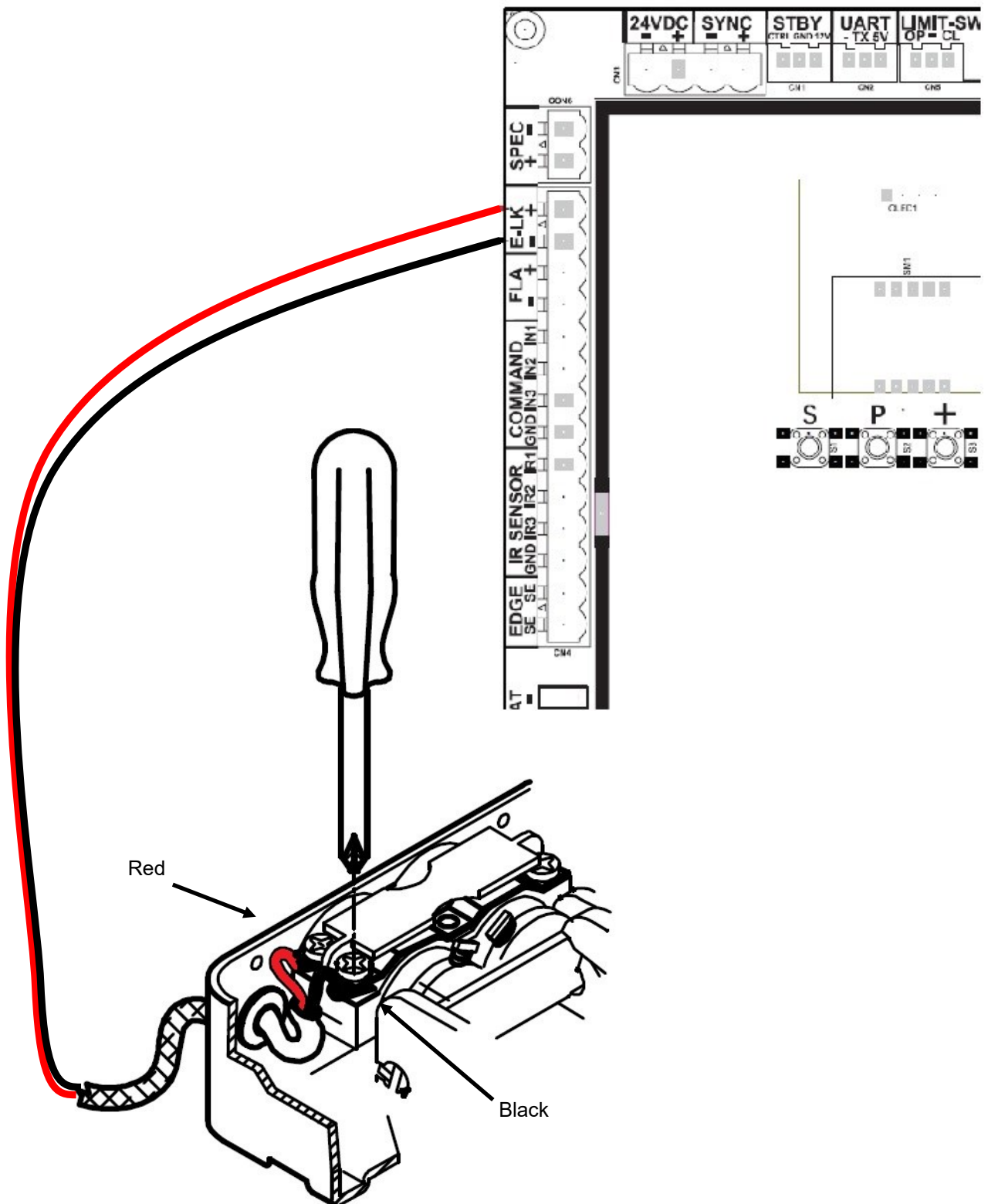
- 1) Mount the E-Lock base to the gate leaf ensuring 4mm clearance to the strike plate.
- 2) Install the optional weather shield plate behind the E-Lock base.
- 3) Ensure the latching tongue is 1mm from the strike plate.



CONNECTION

The E-Lock requires a 24V pulse to open signal.

- 1) With the outer plate removed, two sets of connection terminals are visible. Route the cable into the E-Lock base through the cable entry and connect the cables to the closest set of terminals. The terminals are not polarity sensitive.
- 2) Connect the E-Lock cables to the E-LK terminal on the gate PCB
- 3) Follow the Gate manual to enable the E-Lock and Ram-Blow (if required)



NOTES

NOTES

WARRANTY

ONE YEAR WARRANTY

Chamberlain Australia Pty Limited / Chamberlain New Zealand (Chamberlain), the manufacturer of Merlin® garage door openers, warrants to the original consumer purchaser of this product that it is free from defect in materials and/or workmanship for a period of one year from the date of purchase.

Chamberlain is committed to manufacturing and supplying high quality goods. As part of this commitment, we seek to provide reliable service and support for our goods and are pleased to provide you, the original purchaser, with this Chamberlain Limited Warranty. The benefits given to you under this Chamberlain Limited Warranty are in addition to any rights and remedies that you may have under Australian or New Zealand consumer protection laws. Our goods come with guarantees that cannot be excluded under the Australian Consumer Law, or New Zealand Consumer Guarantees Act 1993. You are entitled to a replacement or refund for a major failure and for compensation for any other foreseeable loss or damage. You are also entitled to compensation for any other reasonably foreseeable loss or damage. You are also entitled to have the goods repaired or replaced if the goods fail to be of acceptable quality and the failure does not amount to a major failure.



™ Trademark of The Chamberlain Group, Inc.

® Registered Trademark of The Chamberlain Group, Inc.

© The Chamberlain Group, Inc.

Australia

Phone toll free 1800 474 326

Fax toll free 1800 888 121

Unit 1, 75 Epping Road North Ryde, NSW 2113

Website www.gomerlin.com.au

Email customerservice@chamberlainanz.com

New Zealand

Auckland Phone 09 477 2823

Phone toll free 0800 653 667

Fax toll free 0800 653 663

Website www.gomerlin.co.nz