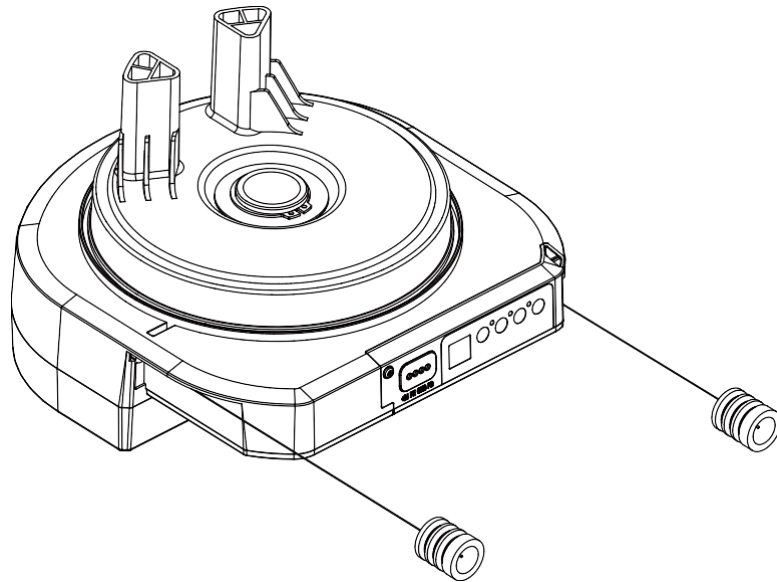


SUPERLIFT

GARAGE DOOR OPENERS



RDO-7W

Installation and Operating Instructions

Owners Copy: Please keep the instructions for future reference



This manual contains **IMPORTANT SAFETY** information
DO NOT PROCEED WITH THE INSTALLATION BEFORE READING THOROUGHLY

START BY READING THESE IMPORTANT SAFETY INSTRUCTIONS

WARNING

- Failure to comply with the following instructions may result in serious personal injury or property damage.
- Read and follow all instructions carefully.
- The garage door opener is designed and tested to offer safe service provided it is installed and operated in strict accordance with the instructions in this manual.



These safety alert symbols mean **WARNING: A possible risk to personal safety or property damage exists.**



Keep garage door balanced. Do not let the garage door opener compensate for a binding or sticking garage door. Sticking, binding or unbalanced doors must be repaired before installing this opener.



Do not wear rings, watches or loose clothing while installing or servicing a garage door opener. Wear gloves and suitable protective clothing where appropriate.



Frequently examine the door installation, in particular cable, springs and mountings for signs of wear, damage or imbalance. Do not use if repair or adjustment is needed since springs and hardware are under extreme tension and a fault can cause serious personal injury.



To avoid serious personal injury from entanglement, **remove all ropes, chains and locks connected to the garage door** before installing the door opener.



Installation and wiring must follow your local building and electrical codes.



The safety reverse system test is very important. Your garage door **MUST** reverse on contact with a 40 mm obstacle placed on the floor. Failure to properly adjust the opener may result in serious personal injury from a closing garage door. **Repeat the test once a month and make any necessary adjustments.**



This appliance is not intended for use by persons (including children) with reduced physical, sensory or mental capabilities, or lack of experience and knowledge, unless they have been given supervision or instruction concerning use of the appliance by a person responsible for their safety.



Automatic Drive - Keep away from the area of the door as it may operate unexpectedly.



The opener must not be used on a wicket door (door within a door).



The Protector System™ must be used for all installations where the closing force as measured on the bottom of the door is over 380N (38 kgf). Excessive force will interfere with the proper operation of the safety reverse system or damage the garage door.



After installation, ensure that the parts of the door do not extend over public footpaths or roads.



Install the wireless wall control (or any additional wall control) **in a location where the garage door is visible away from moving parts, at a height of at least 1.5 m and out of the reach of children. Do not allow children to operate push button(s) or transmitter(s).** Serious personal injury from a closing garage door may result from misuse of the opener.



Permanently fasten the Warning Labels in prominent places, adjacent to wall controls and manual release mechanisms as a reminder of safe operating procedures.



Activate opener only when the door is in full view, free of obstructions and the opener is properly adjusted. No one should enter or leave the garage while the door is in motion.



Do not allow children to play near the door, or with door controls.



If the supply cord is damaged, it must be replaced by the manufacturer, its service agent or similarly qualified persons in order to avoid hazard.



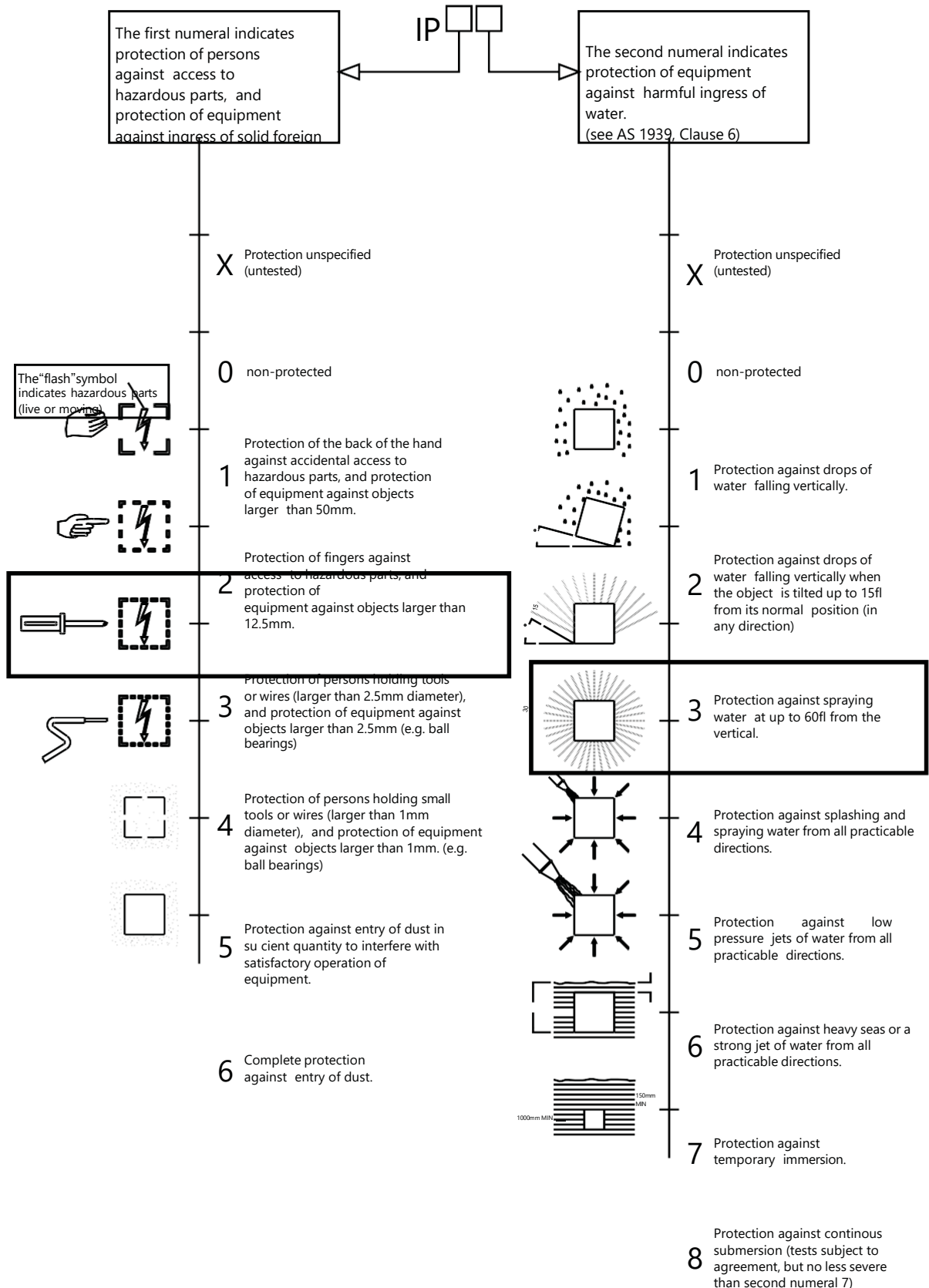
Disconnect electric power to the garage door opener before making repairs or removing covers.

KEEP THESE INSTRUCTIONS

IP RATING CHART

Protection of persons and protection of equipment indicated by the IP code.

Protection provided by enclosures for electrical equipment is indicated by the IP codes two: CHARACTERISTIC NUMERALS



CONTENTS

READ BEFORE INSTALLATION

SAFETY INSTRUCTIONS	1
IP RATING CHART	2

INSTALLATION

1 KIT CONTENTS.....	4
2 TOOLS REQUIRED.....	4
3 DOOR REQUIREMENTS	4
4 TESTING THE DOOR	5
5 INSTALLING THE STOP COLLAR	5
6 INSTALLING THE WEIGHT BAR (OPTIONAL)	5
7 CONTROL PANEL.....	6
8 THE RELEASE HANDLE & CORD	7
9 KEY LOCKABLE RELEASE	7
10 OPERATING THE MANUAL RELEASE.....	7
11 PINNING THE DOOR.....	8
12 LEFT / RIGHT INSTALLATION HANDING.....	8
13 INSTALLATION PROCEDURE.....	9

SETUP / TESTING / OPERATION OF YOUR OPENER

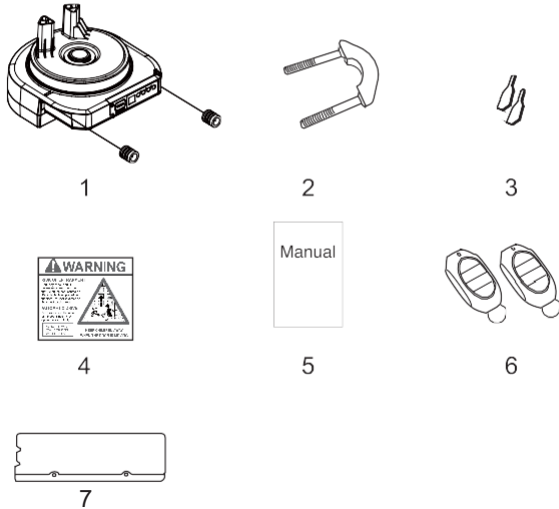
14 SETTING INSTALLATION SIDE / TRAVEL LIMITS / CLOSING FORCE.....	10
15 TESTING CLOSE DIRECTION FORCE.....	11
16 FIXING WARNING LABELS.....	11
17 AUTO CLOSE MODE	12
18 REMOTE CONTROL LEARNING / REMOVE THE REMOTE CONTROL	12
19 SET KEYBOARD LOCK (NEED POWER OFF TO KEEP MEMORY).....	13
20 ENABLE HALF-OPEN FUNCTION.....	13
21 INSTALL THE PROTECTOR SYSTEM™ (IRBEAMS) (OPTIONAL).....	14
22 TYPICAL WIRING DIAGRA.....	15
23 INSTALLATION OF WIRELESS WALL SWITCH (OPTIONAL)	15
24 OPERATION OF YOUR OPENER	16
25 CARE / MAINTENANCE OF YOUR OPENER.....	16
26 SPECIFICATIONS	16

TECHNICAL SUPPORT

27 TROUBLESHOOTING	17
--------------------------	----

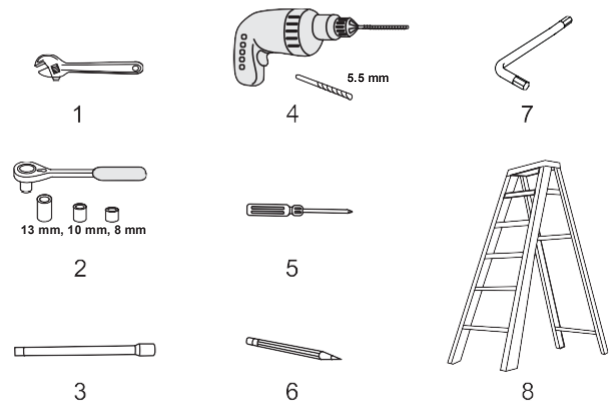
1 KIT CONTENTS

1. Opener
2. Clamp bracket
3. keys
4. Warning label
5. Instruction manual (this document)
6. Remote control
7. Weight bar (Optional)



2 TOOLS REQUIRED

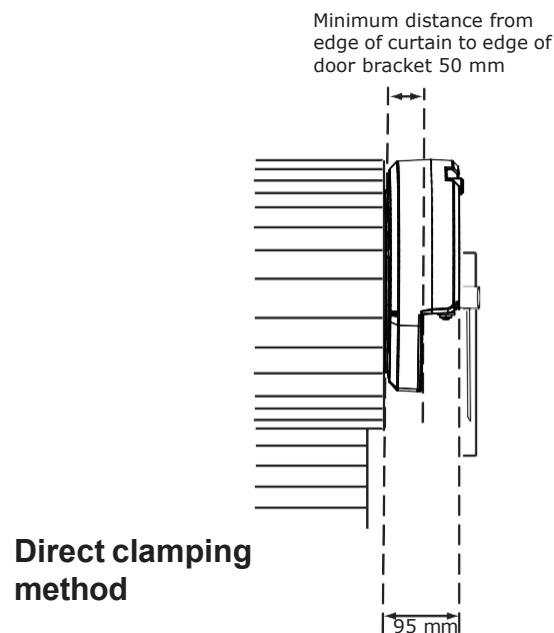
1. Adjustable wrench for U-bolts already installed on the door
2. 8 mm socket, 10 mm socket and 13 mm extended socket and socket wrench
3. 300 mm socket extension (for minimum side-room installations)
4. Drill and 5.5 mm drill bit
5. Philips-head screwdriver
6. Pencil
7. 8 mm Allen key
8. Ladder
9. Door stand or similar device to safely support door (not shown)



3 DOOR REQUIREMENTS

The maximum allowable door height is 5.5 m with a maximum curtain area of 15m². The door must be spring balanced.

*The Protector System™ (IR Beams) must be installed if the force at the edge of the closing door exceeds 380N (38 kg.). Door axle diameter must not exceed 35 mm.



Ensure that there is at least 50 mm from the edge of the curtain to the edge of the bracket. If the roller door drum is on the edge of the curtain or is a smaller diameter, additional clearance may be required.

4 TESTING THE DOOR

Complete the following test to ensure your door is well balanced, and not sticking or binding:

- Disable all locks and remove any ropes connected to the garage door.
- Lift the door to about halfway and then release it. The door should remain spring balanced.
- Raise and lower the door to determine if there are any sticking or binding points (15 kg. is the absolute maximum allowable to raise or lower the door in any position).
- If your door does not hold in place or the door binds or sticks, call a qualified door technician before installing the opener.

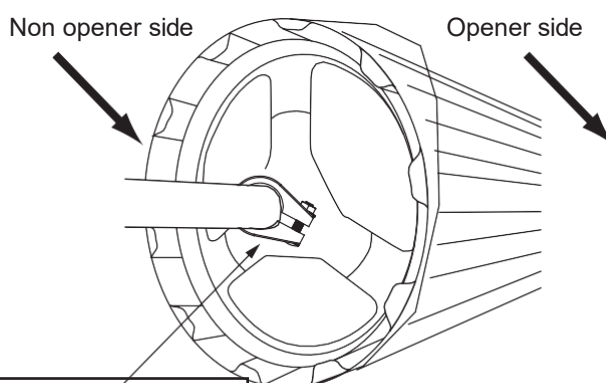


5 INSTALLING THE STOP COLLAR

- The stop collar (inset 1) is required to be installed on the opposite side of the door to where the opener is to be installed.
- Ensure the U-Bolt holding the door shaft to the door bracket is tightly secure.

(NOTE: This U-Bolt must not be removed or loosened)

- Remove the bolt assembly from the plastic stop collar. Open the collar as wide as possible and push it onto the door shaft.
- Fit the stop collar hard against the boss of the door drum. Reinstall the bolt assembly onto the stop collar and tighten.



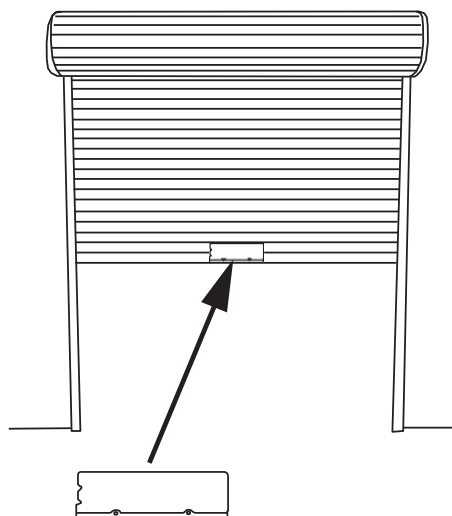
SAFETYCHECK!

Is the stop collar installed?
YES: proceed to the next step
NO: install the stop collar before proceeding

6 INSTALLING THE WEIGHT BAR (OPTIONAL)

- Place the weight in the centre of the door (as shown).
- Use a pencil to mark the two-hole positions.
- If the door curtain does not have a handle you will need to drill two 5.5 mm holes through the two marked positions, then place the weight bar on the inside of the door.
- Use the bolts, washers and nuts (provided) to fasten the weight bar in place.

NOTE: If the door has a lifting handle, remove the handle, nuts & bolts. Place weight bar over the handle holes, insert extended bolts through the weight bar & fasten handle back in place.



7 CONTROL PANEL

1. Terminal Block: used for external accessories (see chart below).

carving	Function	Polarity	Comment
+24	Accessory Power	+ve	24v dc 50 mA accessory output available for a universal receiver (output not active in Low Standby mode)
PE	IR Beams	+ve	IR Beam Input: (pulsing type only)
GND	Common	-ve	Common terminal for push button, IR Beams & accessory power:
PB	Push button	+ve	Dry contact input for push button wired wall controls:

NOTE: The terminal block is weather protected by a rubber grommet.

When using external wiring, the cable holes can be punched through with a small screwdriver. These holes should be sealed with silicon sealant in order to maintain the weatherproof rating.

2. DOWN Button: used to drive door DOWN.

3. UP Button: used to drive door UP.

4. SET Button: used to "PROGRAM" the DOOR LIMITS.

5. CODE Button: used to "SAVE" the "REMOTE CONTROLS".

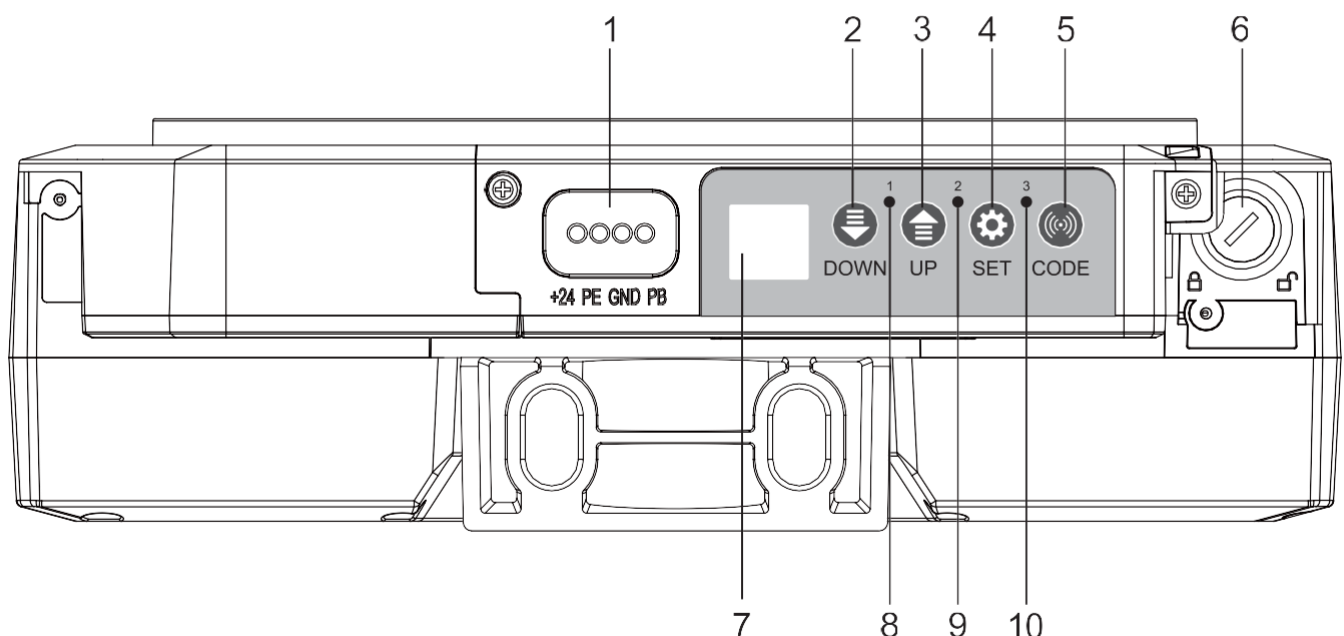
6. Key Lock: used to lock the engage / disengage mechanism for commercial applications.

7. Courtesy Light: When the door opener works, the courtesy light is on; When the door opener stops working for 3 minutes, the courtesy light will go out.

8. LED 1: Red indicator.

9. LED 2: Green indicator.

10. LED 3: Yellow indicator.



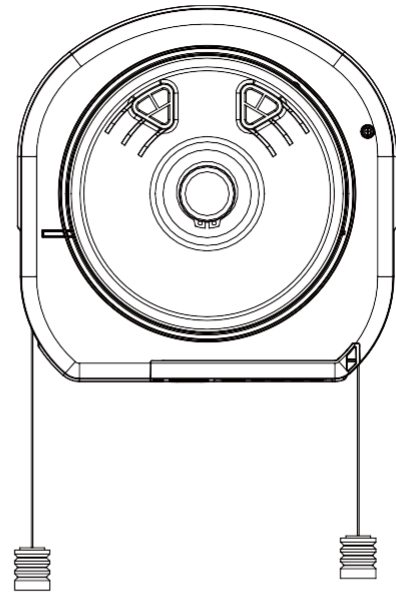
8 THE RELEASE HANDLE & CORD



DO NOT DISENGAGE THE OPENER TO MANUAL OPERATION WITH CHILDREN, PERSONS OR OTHER OBJECTS INCLUDING MOTOR VEHICLES WITHIN THE DOORWAY: (The door is under significant tension and if the door has developed a fault or incorrect tension, it may be unsafe and may fall rapidly.)

The manual release mechanism enables the door to be manually operated during power outages or in an emergency.

The RED Manual Release cord is preassembled to the opener. When the opener is installed the handle should be no higher than 1.8 metres from the floor. The cord may need to be extended.

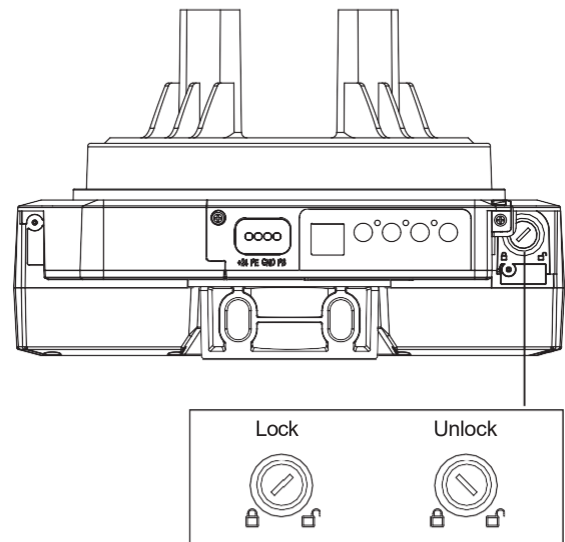


9 KEY LOCKABLE RELEASE



The key lockable release is only use in Commercial Applications, and not to be used when installed in a residential Application (refer safety standard AS/NZS 60335.2.95). An alternative exit path from the building MUST BE AVAILABLE when using the Key Lockable Feature

- Turn OFF the opener mains power (so the door cannot be activated).
- Insert the key into the keyhole, Lock or Unlock as required.
- Keep the key in a safe place.
- Two keys are provided, if a replacement is needed, refer to a locksmith.



10 OPERATING THE MANUAL RELEASE

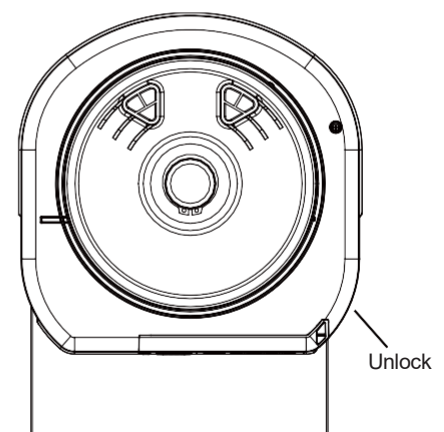
NOTE: Ensure the Key Lockable Release is not locked.

Disengage the opener to enter the manual state

Pull the release cord (red handle) down firmly, (opener will make a clicking noise).

Re-engage the opener to enter the auto state

Pull the release cord (green handle) down firmly, (opener will make a clicking noise).

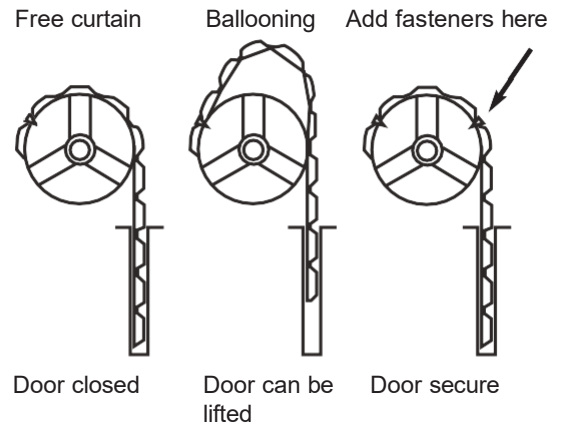


Disable all locks and remove any ropes connected to the garage door. Take care when operating the manual release as an open door may fall rapidly due to weak or broken springs or being out of balance.

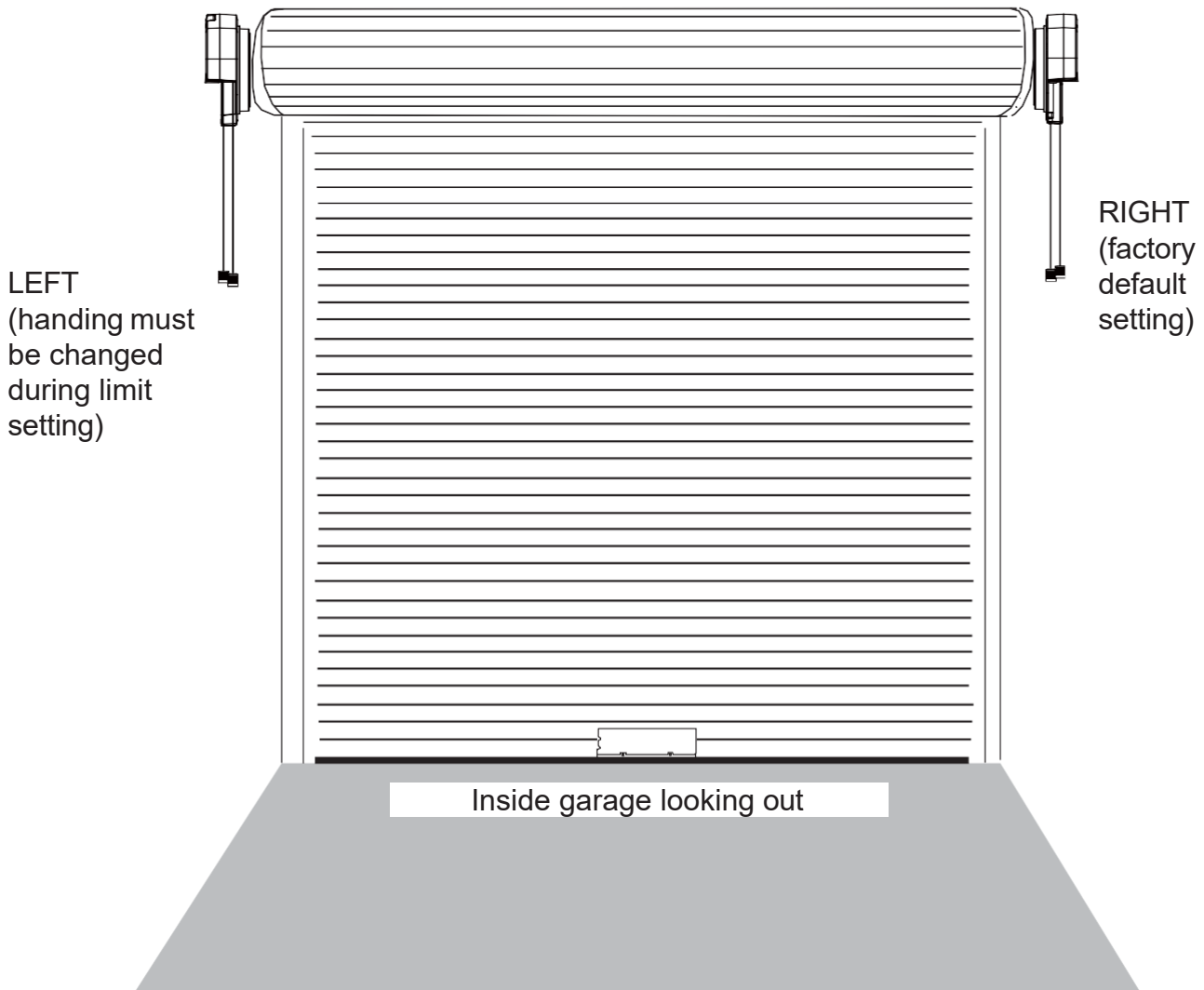
11 PINNING THE DOOR

Note: A ballooning door may delay the safety reversal response and can compromise garage door security.

- To remedy any ballooning place self tapping metal screws or rivets where the curtain leaves the roll. Secure these through the curtain into the drum wheel at each end of the roll.
- After determining the correct fastener location as shown, lift the door approximately half a turn from the closed position to allow access for drilling.



12 LEFT / RIGHT INSTALLATION HANDING



13 INSTALLATION PROCEDURE



Do not allow people to walk under or around the door during the installation process as serious injury can occur.

NOTE: The opener can be installed on either side of the door. The following instructions are for **RIGHT SIDE INSTALLATIONS** (as illustrated i.e. inside the garage looking out). For left side installations, reverse the instruction terminology (e.g. LEFT for RIGHT etc).

Preparation:

- Place the opener in manual release mode.
- Open the roller door fully. For safety, tie a rope around the door.
- Ensure the door axle U-BOLT and door mounting bracket on the left side (non-opener side) are securely fastened.
- Support the door with a door stand or similar device to safely support the door.
- Mark the position of the door shaft on the right-side door bracket (for reassembly purposes).
- While the door is supported, remove the right-side axle U-Bolt and door mounting bracket from the wall.

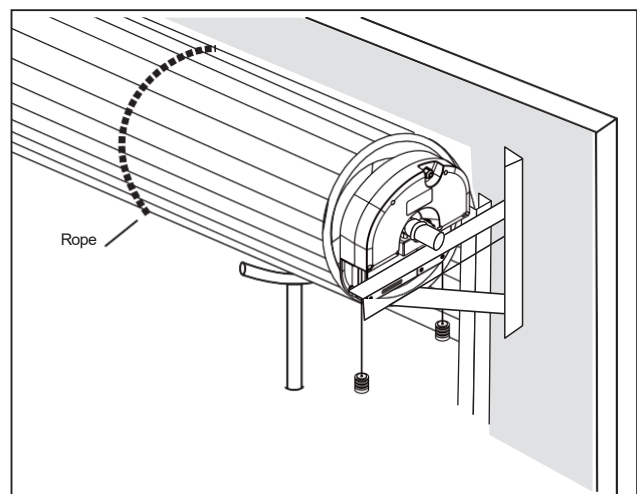
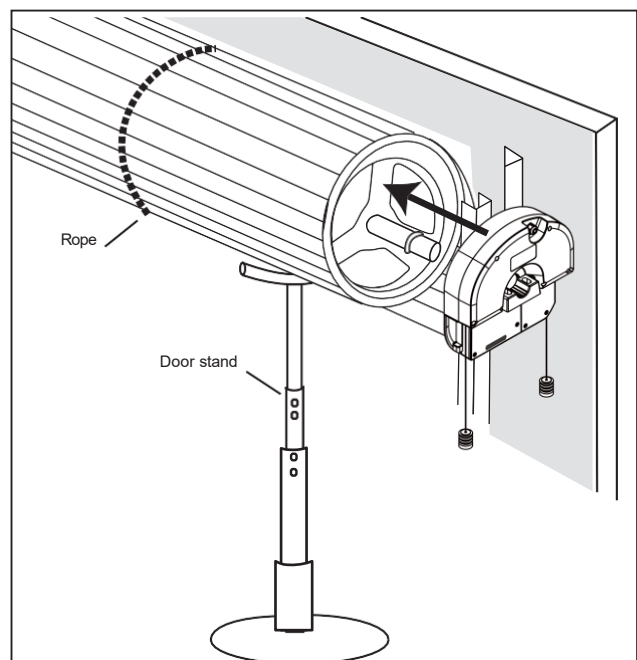
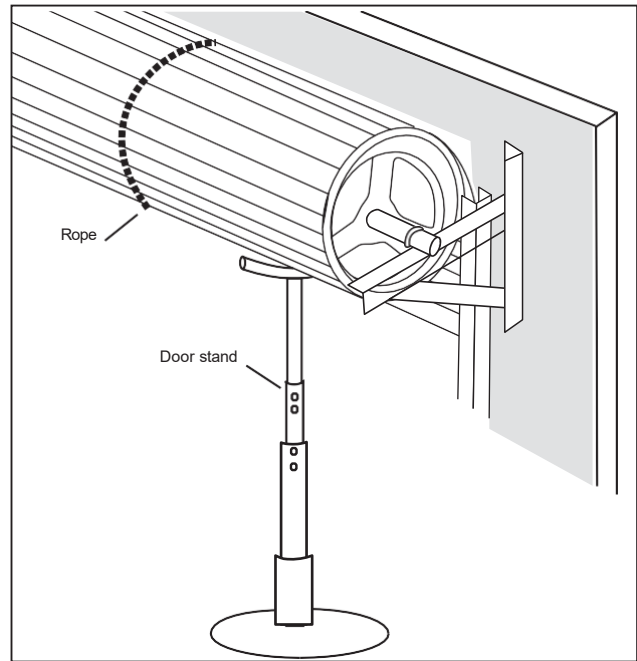
Install the opener:

- Slide the opener over the door axle and engage the drive legs into the door drum wheel, either side of a spoke.
- Refit the door mounting bracket to the wall.
- Clamp the opener on the door axle and door bracket in the marked position using the clamp assembly supplied (tighten to 25 – 28 Nm).
- Remove all ropes and the support stand.
- Check the operation of the door in manual mode by raising and lowering by hand. It should operate smoothly without sticking or binding. The disengage handle should already be attached less than 1.8m above the floor.



Connect the power:

- Position the power cable away from the door curtain and any moving parts.
- Plug the opener into a nearby power point and turn ON.
- The opener Light will turn ON.



14 SETTING INSTALLATION SIDE / TRAVEL LIMITS / CLOSING FORCE

Setting Travel Limits means how far your door goes up and down. Your opener must also be configured for right or left side installation, if not the door will rotate in the reverse direction.

NOTE: The opener is factory configured for right side installation.

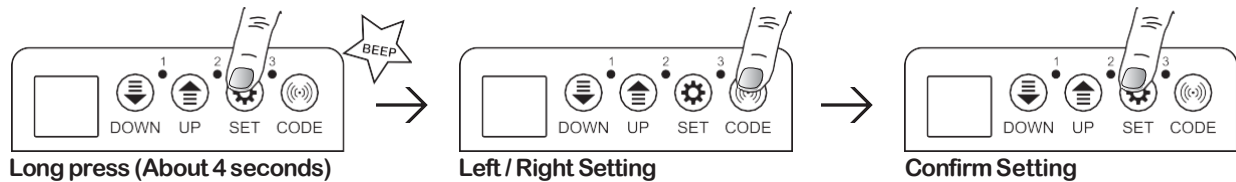


The opener will operate during this procedure. Make sure the door is clear of obstruction. Ensure your hands are away from any moving parts before activating the door.

Setting installation side (Right or Left):

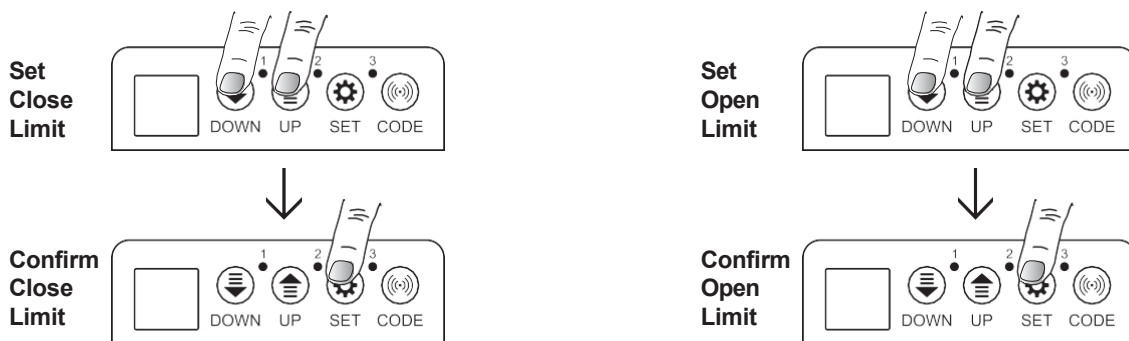
Refer to the diagrams on the guidance. Ensure the door is positioned halfway and the opener is engaged. First, power on, lights and 3 LEDs are on for 1 second and enter standby state.

1. Long press the "SET" key for about 4 seconds, you can hear a long beep, and the motor installation direction is displayed.
2. The red light indicates left installation; the green light indicates right installation.
3. Press "CODE" key to change the installation direction of motor, then press the "SET" key to confirm the saving. After the red light or green light flashes 5 times, **the door opener will enter the setting travel limit process.** Then the red light or green light is always on.



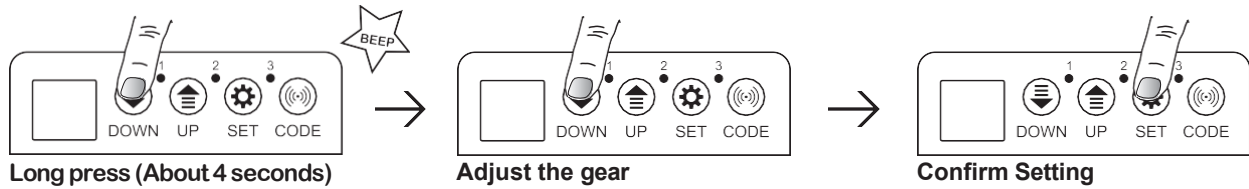
Setting the Door Travel Limits:

4. First, when the red light is always on, it means learning the closing position. Press the "UP" key or "DOWN" key to control the door up or down. After adjusting to the appropriate closing position, press the "SET" key to confirm.
5. Then the green light is always on, which means learning the opening position. Press the "UP" key or "DOWN" key to control the door up or down. After adjusting the appropriate opening position, press the "set" key to confirm.
6. Then the door body enters the automatic learning state: close the door first, then open the door, after learning, the host enters the standby state.
7. If the door stops suddenly when the door is controlled manually or the door is learning automatically and three lights flash simultaneously, it means that there may be: position sensor failure, excessive resistance, operation timeout, wrong travel setting, etc., please correct the problem before learning the travel.
8. When entering this function, the courtesy light will turn off.



Setting closing force:

9. Long press the "DOWN" key for about 4 seconds, You can hear a long beep and enter the state of setting the closing force.
10. Observe the number of display lights: one light indicates first gear, two lights indicate second gear, three lights indicate third gear. Among them, the first gear has the smallest force, and the third gear has the largest force.
11. Press the "DOWN" key to adjust the closing force, press the "DOWN" key once, and the gear is + 1. When the gear changes to the third gear, press the "DOWN" key again to return to the first gear. After adjustment, press the "SET" key to confirm, and the host computer will enter the standby mode.
12. The default closing force gear is 2.



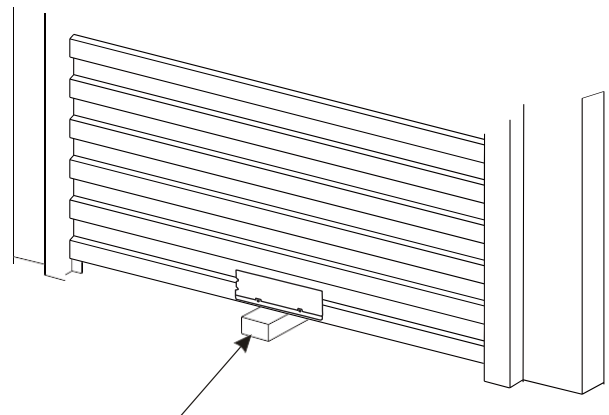
15 TESTING CLOSE DIRECTION FORCE



Testing Close Direction Force is important. The garage door must reverse on contact with a 40 mm obstacle laid flat on the floor. Failure to properly adjust the opener may result in serious personal injury from a closing garage door.

Open the door fully

- place a 40mm thick wooden block vertically under the door line. Press the "run" button and the rolling door starts to close.
- If the rolling door touches the wooden block, the opener will stop closing and open the door automatically. It shows that the adjustment of closing force is correct.
- If the opener stops but does not reverse, the closing force should be reduced. Test again until the door can stop and open when it meets the obstacle.



40 mm Test obstacle

16 FIXING WARNING LABELS

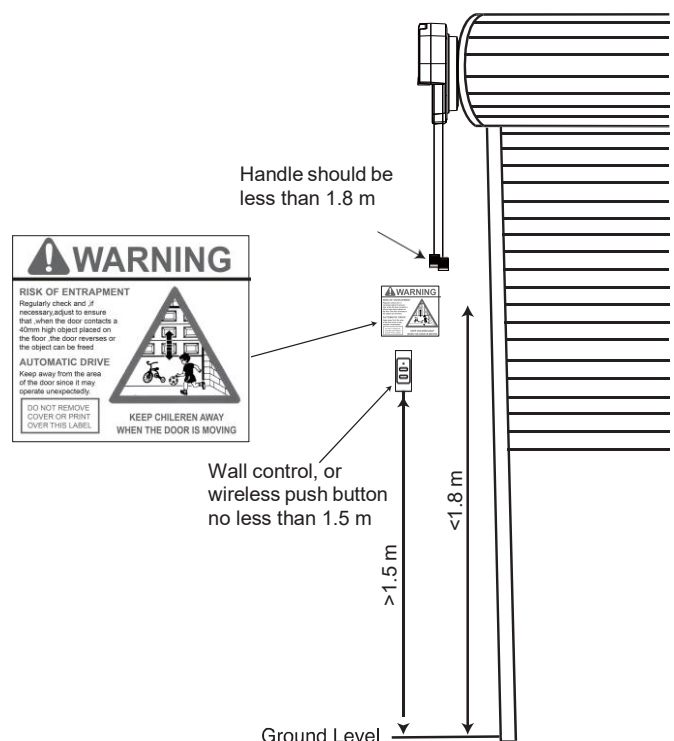
Once you have completed your installation and successfully carried out the safety reverse system test (outlined above), install the warning labels provided with your opener as shown.

The **risk of entrapment label** must be installed adjacent to the release handle at a height of less than 1.8 m from the floor.

The **WARNING** label must be installed in a prominent place near any fixed control.

Any fixed wall control or wireless door control must be mounted at a height of no less than 1.5 m **out of the reach of children**.

Read the safety instructions for further details concerning safety.



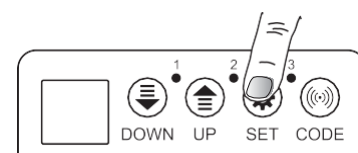
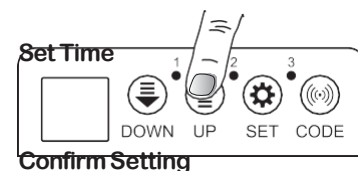
17 AUTO CLOSE MODE



Auto close is NOT recommended for households with young children.

NOTE: IR beams should be installed before the Auto Close Mode is turned on

- Operate the door in the down direction. The door must reverse upon contact with the obstacle. If the door stops on the obstacle, remove obstacle and repeat limit and force setting.
 - After setting the automatic door closing, the door will be closed automatically after reaching the set time without any operation.
 - If the door encounters an obstacle while closing, the door opener will return to the open position and start again after waiting.
 - The lamp will flash, and the buzzer will give an alarm 10 seconds before the automatic door closing.
1. Long press the "UP" key for about 4 seconds, you can hear a long beep. The door opener will enter the setting of automatic closing function.
 2. Observe the number of display lights: no light indicates 0 gear, one light indicates 1 gear, two lights indicate 2 gear, and three lights indicate 3 gears. Gear 0 indicates that the automatic door closing function is not turned on, and other gears 1-3 indicate that the time is 10s, 60s and 180s. The default factory setting is Gear 0 (not on).
 3. Then press the "UP" key to adjust the gear of automatic closing time. Press the "UP" key once, the gear is + 1. When it reaches the third gear, press the up key again, then it will return to the 0 gear.
 4. Press the set key to confirm after adjustment.

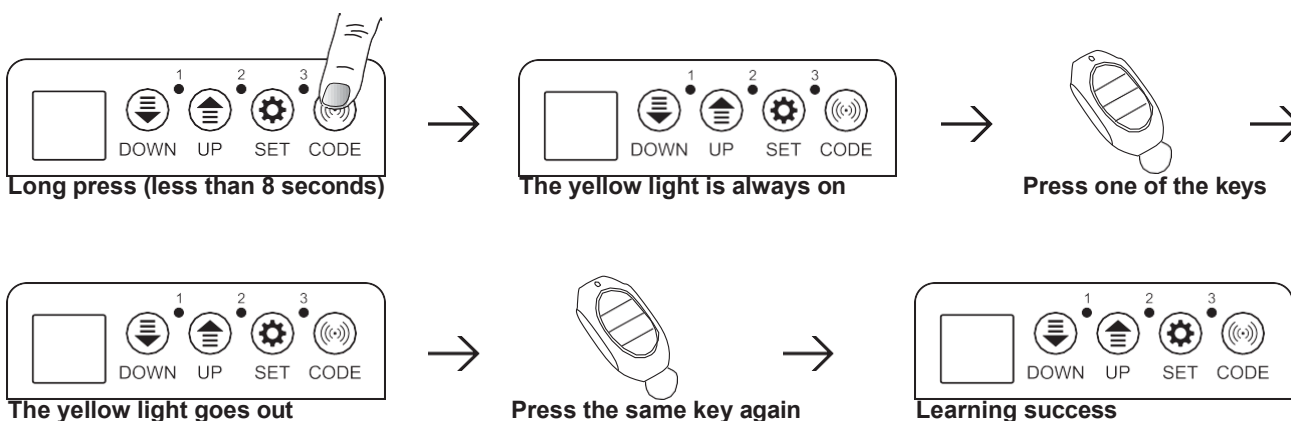


Door may operate unexpectedly, therefore do not allow anything to stay in the path of the door.

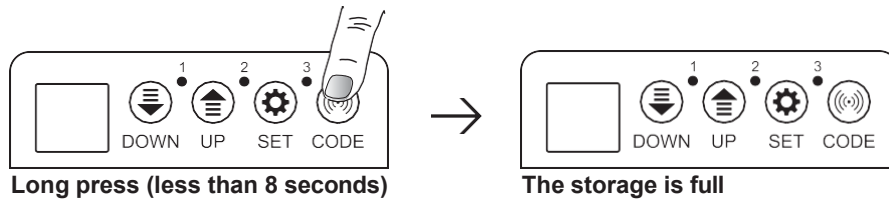
18 REMOTE CONTROL LEARNING / REMOVE THE REMOTE CONTROL

1. Remote control learning:

Long press the "CODE" key (less than 8 seconds), then the yellow light is always on, indicating that the remote control has entered the learning state. Press any key of the remote control, the yellow light will go out, and then press the same key on the remote control, the yellow light will flash 8 times and return to the standby mode, indicating that the learning is successful. If you need to learn another transmitter, repeat this step.



2. Only the key learned by the remote control works. In the learning mode, if the learning is not successful after 10 seconds, it will automatically return to the standby mode.
3. If long press "CODE" key (less than 8 seconds), the yellow light will flash intermittently for 3 times and then return to standby mode. It means that the memory is full, and you cannot continue to learn the remote control. You need to clear the remote control before you can learn the remote control again. The main control board can learn up to 20 remote controllers.

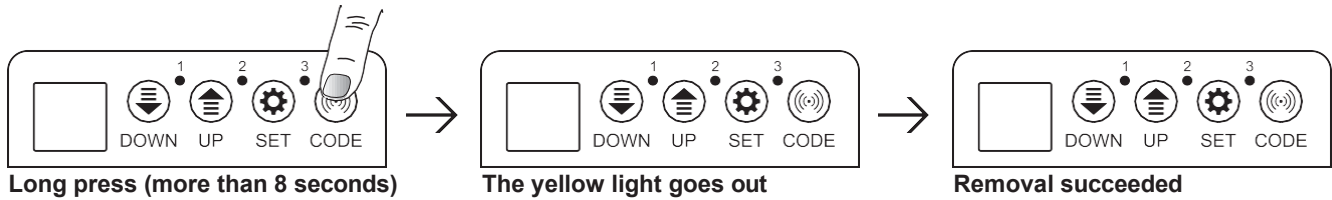


Long press (less than 8 seconds)

The storage is full

4. Remove all remote controls:

Long press "CODE" key (more than 8 seconds). The yellow light will go off after flashing and return to standby mode, indicating that all remote-control devices have been cleared.



Long press (more than 8 seconds)

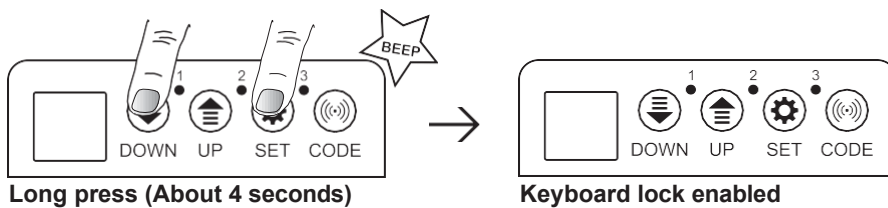
The yellow light goes out

Removal succeeded

19 SET KEYBOARD LOCK (NEED POWER OFF TO KEEP MEMORY)

1. Enable the keyboard lock:

Press the "SET" key and the "DOWN" key at the same time for about 4 seconds, you can hear a long beep and the green light flashes once. The keyboard lock is on.

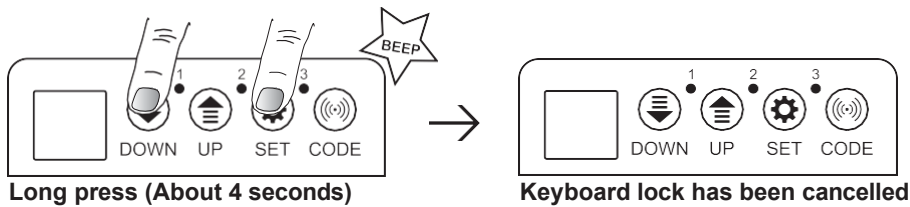


Long press (About 4 seconds)

Keyboard lock enabled

2. Cancel the keyboard lock:

First, the door must be opened to more than half of the total journey, and then press the "SET" key and the "DOWN" key at the same time for about 4 seconds, the buzzer drops... 8, and the red light flashes once at the same time. Then the keyboard lock has been cancelled.



Long press (About 4 seconds)

Keyboard lock has been cancelled

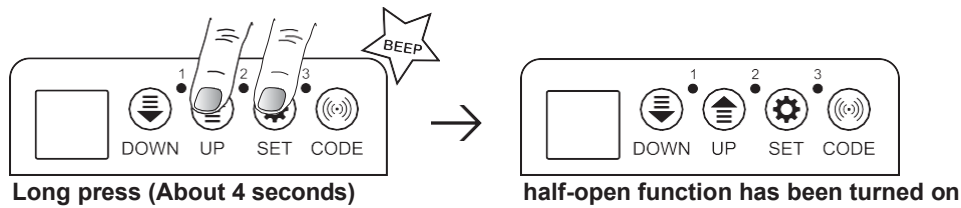
Door opener default keyboard lock not open.

If the keyboard lock is open, pressing any key on the controller will be invalid, and the buzzer will beep twice (prompt to lock), only the remote control can control the door.

20 ENABLE HALF-OPEN FUNCTION

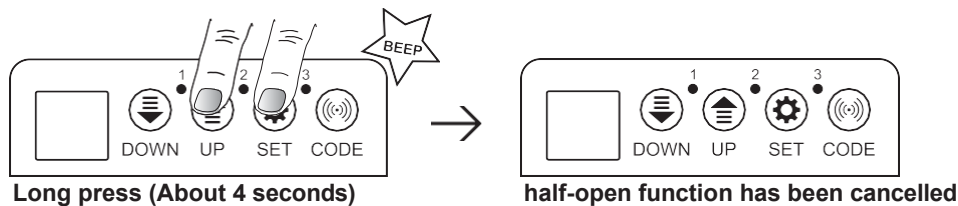
1. Enable half-open function:

First, open the door to the half open position you want (not the close position), and then press the "SET" key and the "UP" key at the same time for about 4 seconds, then you can hear a long beep, and the green light flashed once. It indicates that the half-open function has been turned on.

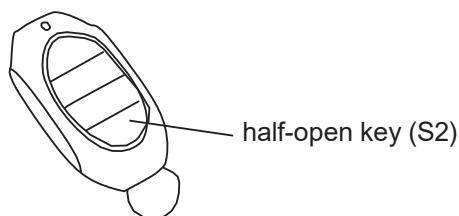


2. Cancel half-open function:

First, close the door to the closing position, and then press the “SET” key and the “UP” key at the same time for about 4 seconds, then you can hear a long beep, and the red light flashed once. It indicates that the half-open function has been cancelled.



3. If the half-open function has been opened and the door is in the closed position, press the half-open key (S2) of the remote control to open the door to the set half-open position.



Warning!

If you want to turn on the half-open function, please make sure that the key used in the learning door control is not the half-open key (S2), Avoid conflict!

4. Door opener default half-open function not open.

21 INSTALL THE PROTECTOR SYSTEM™ (IRBEAMS) (OPTIONAL)

NOTE: The door with closing force more than 380N must be equipped with this accessory.

After the opener has been installed and adjusted, the **Protector System™** accessory can be installed. Instructions are included with this accessory.

The **Protector System™** provides an additional measure of safety against a small child or animal being trapped under a garage door. It uses an infrared beam, which when broken by an obstruction, causes a closing door to open and prevents an open door from closing and is **strongly recommended for homeowners with young children.**

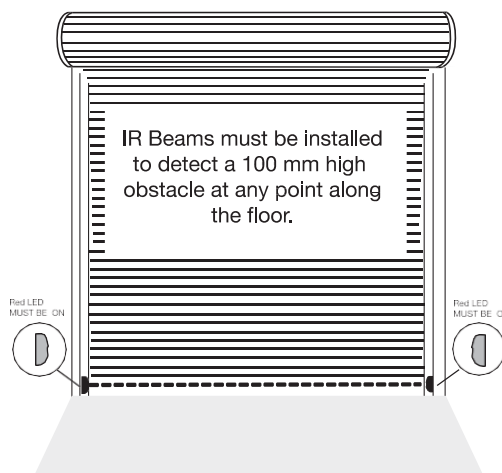
ENABLING THE PROTECTOR SYSTEM:

- Connect the IR Beam wires to the corresponding infrared ports of the opener. (Refer to the IR Beam wires manual or the **TYPICAL WIRING DIAGRA** on page 15)
- The protection system will be open automatically after connecting and will be operated with a fail-safe mode.

REMOVE THE PROTECTION SYSTEM:

If you want to dismantle the protection system after installing, you should defuse the connecting line between the opener port and the infrared beams. Please do it in the following:

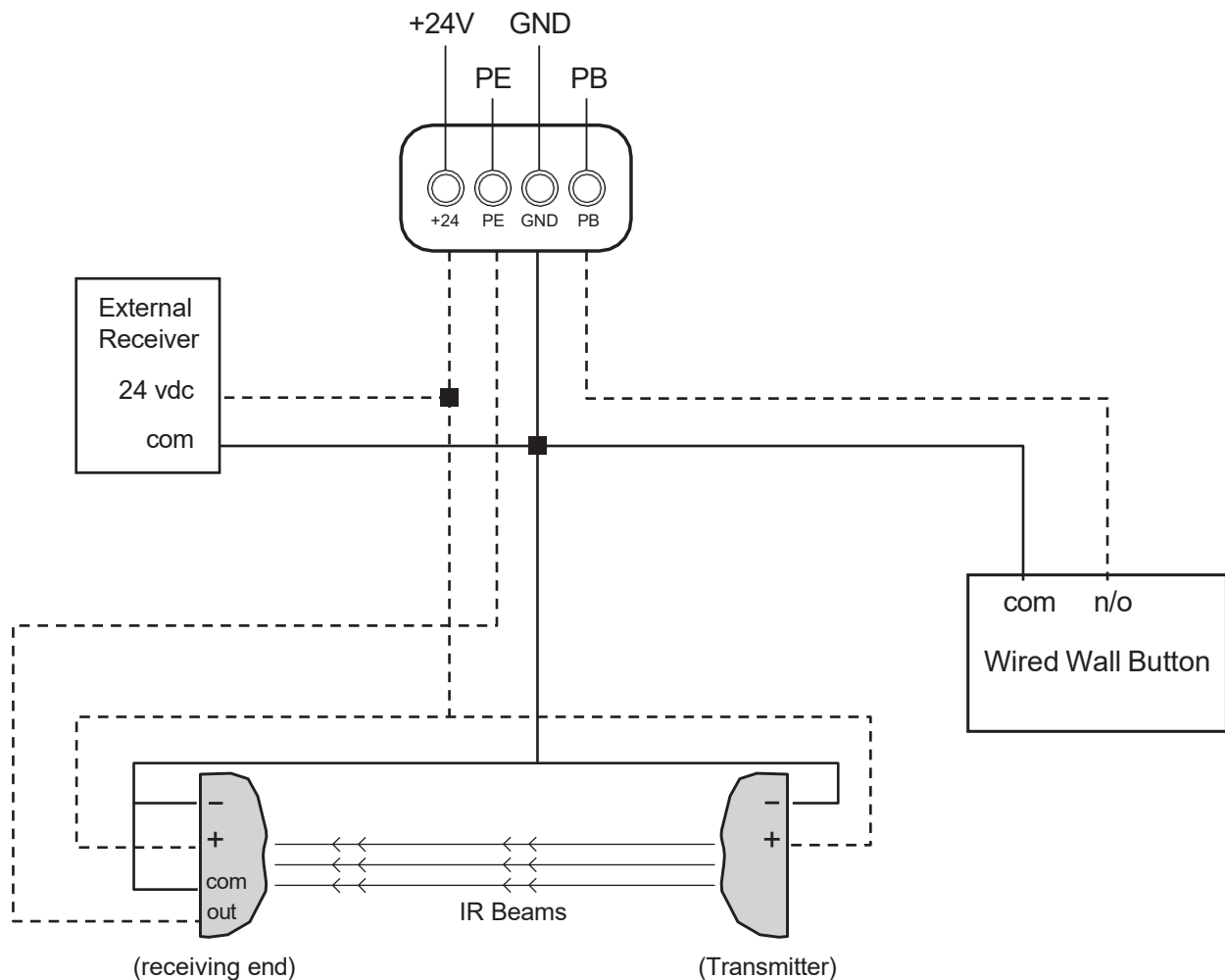
1. Turn off the power supply.
2. Defuse the connecting line of infrared beams from the opener port.
3. Reinstall a connecting line at the position of GND and PE on the opener port for short connection.
4. Turn on the power, and check whether the opener works good without the infrared beams.



22 TYPICAL WIRING DIAGRA

Information for Service Personnel

NOTE: The terminal block is weather protected by a rubber grommet.
When using external wiring, the cable holes can be punched through with a small screwdriver. These holes should be sealed with silicon sealant in order to maintain the weatherproof rating.



23 INSTALLATION OF WIRELESS WALL SWITCH (OPTIONAL)



Disconnect power to the opener whilst installing this accessory to prevent accidental activation. Locate minimum 1.5 m above the floor

To install:

- Make the first screw on the wall, align the hole on the bottom of the wall switch with the screw position and hang it (Figure 1).
- Lock the lower hole of the wall switch with screws (Figure 2).

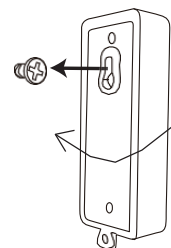


Figure 1

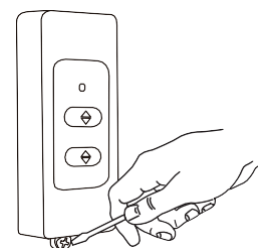


Figure 2

NOTE: The wall control supplied with your opener should be pre-programmed by the factory. If adding a new wall control, program into the opener before mounting the unit as detailed in the "Remote control learning" section.

24 OPERATION OF YOUR OPENER

Your opener can be activated by any of the following devices:

- Opener Control Panel: UP & DOWN buttons
- Remote Control Transmitter: The key that have been coded
- Wireless wall switch: Code key (Optional)
- wall switch: UP / DOWN / STOP (Optional)

1. When the power is on, the lamp and three LEDs are on for one second and enter the standby mode. At the same time, priority is given to open the door.
2. Control panel: when the door is running, press the “SET” key, “UP” key and “DOWN” key to stop the door. In standby mode, press the “UP” key or “DOWN” key (no more than 0.5 seconds) to control the door opening or closing.
3. The remote control and the wall switch control the door body in a circular way: open—stop—close—stop—open.
4. The green light flashes when opening the door and the red-light flashes when closing the door. If there is no operation within 3 minutes after the door stops, the lamp will go out automatically.
5. Infrared function: automatic and effective. If the door is closed, when there is an infrared trigger signal, the door will rebound automatically; Infrared uses pulse and low-level compatible mode.
6. The door can be opened manually by pulling the release cord down firmly. To re-engage the door, pull the release cord down firmly.



Door should be fully closed if possible. Weak or broken springs could allow an open door to fall rapidly. Property damage or serious personal injury could result.

25 CARE/MAINTENANCE OF YOUR OPENER

CARE OF YOUR OPENER

1. When properly installed, your opener will operate with minimal maintenance. The opener does not require additional lubrication.
2. Limit and Force Settings: These settings must be checked and properly set when the opener is installed. Weather conditions may cause some minor changes in the door operation, requiring some re-adjustments, particularly during the first year of operation. Refer to limit and force setting in. Follow the instructions carefully and repeat the safety reverse test after any adjustment.
3. Transmitter: Additional transmitters can be purchased at any time. Refer to Accessories. Any new transmitters must be programmed into the opener.
4. Transmitter battery: If transmission range decreases, replace the battery.

MAINTENANCE OF YOUR OPENER

Once a Month:

- Repeat safety reverse test. Make any necessary adjustments.
- Manually operate door. If it is unbalanced or binding, call for professional garage door service.
- Check to be sure door opens and closes fully. Set limits and/or force if necessary.

26 SPECIFICATIONS

Input Voltage:	220-240V AC 50/60 Hz	Standby Power:	<1 Watt
Output Voltage:	24 VAC	Receiver Code Storage Capacity:	20 Individual Transmitters
Transformer:	100 VA	Transmitter Frequency:	433.92 MHz
Max Door Height:	5.5 m	Operating Temperature:	-20°C ~ 55°C
Max Door Area:	15 m ²		
Max Lifting Capacity:	380 N		
IP grade:	IP 34		

1. The opener will not operate from either the UP/DOWN ACTIVATION button or the transmitters:

- Does the opener have electric power? Plug a lamp into the outlet. If it does not work, check the fuse box.
- Have you disabled all door locks? Review installation instruction warnings.
- Is there a build-up of ice or snow under the door? The door may be frozen to the ground. Remove any restriction.
- The garage door spring may be broken. Have it replaced?

2. The opener operates from the transmitter, but not from the wired wall control terminals:

- Are the wiring connections correct?

3. The door operates from the UP/DOWN ACTIVATION buttons but not from the wireless wall control or transmitter:

- Program the opener to match the transmitter code. Repeat with all transmitters.

4. The transmitter has short range:

- Change the location of the transmitter in your car.
- Check to be sure the antenna on the bottom of the opener extends fully downward.
- Some installations may have shorter range due to a metal door, foil backed insulation, or metal garage siding.

5. The garage door opens and closes by itself:

- Be sure that all transmitter push buttons are off.
- If the wired wall control terminals are installed, remove the bell wire from the wired wall control terminals and operate from the ACTIVATION button or transmitter. If this solves the problem, the wired wall control is faulty (replace), or there is an intermittent short on the wire between the wired wall control and the opener.
- Clear memory and re-program all wireless wall controls and transmitters.

6. The door stops before opening completely:

- Is something obstructing the door? Is it out of balance, or are the springs broken? Remove the obstruction or repair the door.

7. The door opens but will not close or reverses while closing:

- Is something obstructing the door? Pull the manual release handle. Operate the door manually. If it is unbalanced or binding, call a trained door systems technician.
- Clear any ice or snow from the garage floor area where the door closes.
- Repeat the limit and force setting. Repeat safety reverse test after adjustments.

8. The opener strains to operate door:

- The door may be out of balance, or the springs may be broken. Close the door and use the manual release to disconnect the door. Open and close the door manually. A properly balanced door will stay in any point of travel while being supported entirely by its springs. If it does not, disconnect the opener and call a trained door systems technician.

9. The opener motor hums briefly, then will not work:

- Check that the door is not in manual release mode.
- The garage door springs may be broken. See above.
- If the problem occurs on the first operation of the opener, door may be locked. Disable any door locks.

10. The opener will not operate due to power failure:

- Use the manual release handle to disconnect the door. The door can be opened and closed manually. When power is restored, re-engage the opener.



Installation and Operating Instructions

Owners Copy: Please keep the instructions for future reference

<http://www.eazylift.com.cn/>