

Quick Closer

Exclude-A-Seal™

Emb-A-Seal™

Rolling Garage Door Seal

Sectional Garage Door Seal

Lintel-Seal

Carport Conversion Kit

Locks & Handles

Auto-Lock

Independent Taper



Quick Closer.

Product Code
**SD0003/
SD0004**

single and double end stile

description

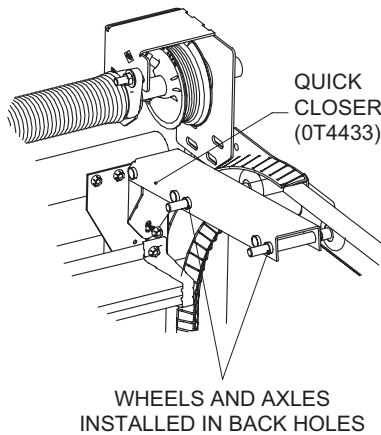
The preferred method for B&D Panelift® and Panelift® Icon™ installations is the normally supplied option of standard or low headroom.

In situations where there is inadequate headroom to fit the standard equipment the B&D Quick Closer system may be an option as it allows the door and opener to fit into 180mm of headroom above the top of the door panels.

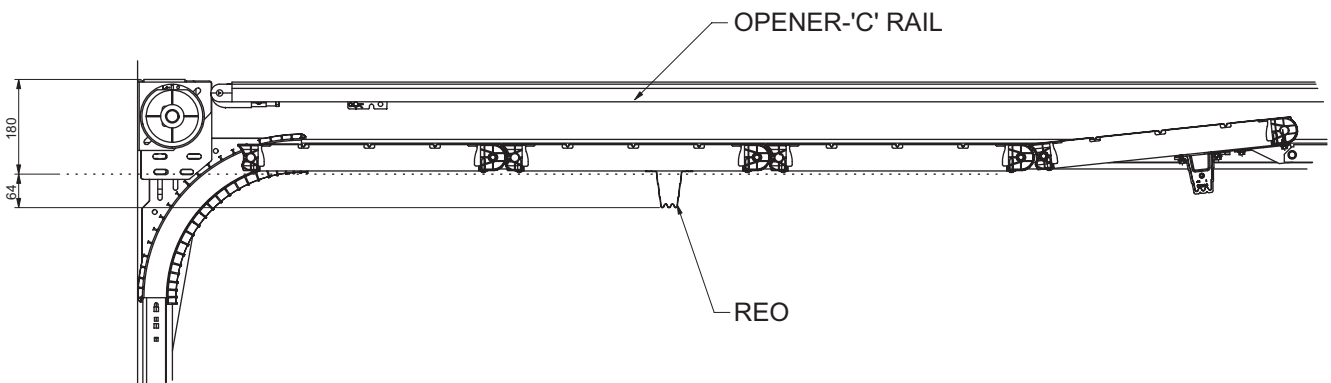
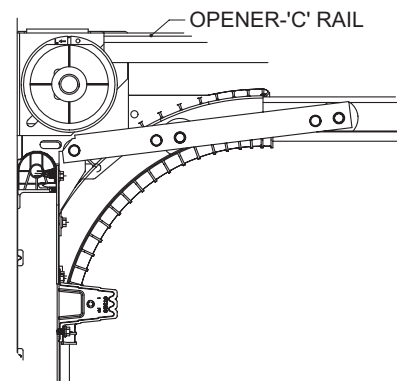
It should be noted that this mechanism will extend 350mm past the fully open door and will not work on manually operated doors as it requires the opener to fully open and close the door, for some installations this may cause the top panel to slam shut when the door fully closes.

NOTES / INFORMATION

- A) Quick Closer, in normal residential use, is covered by a 1 year warranty, excluding labour to repair, when installed by an approved B&D dealer. 1 year warranty only applies to Quick Closers purchased and installed in Australia or New Zealand.
- B) The company reserves the right to make changes or improvements to the products or accessories without notice and without incurring any obligation to make similar changes or improvements to goods previously ordered. Specifications subject to change without notice.
- C) Prefixed Trademarks are trademarks of B&D Australia Pty Ltd.
- D) B&D products have many patents and registered designs applicable.
- E) Details correct at date of publication.



SIDE VIEW
DOUBLE END STILE
QUICK CLOSER



INSTALLATION CLEARANCES

Door Height (mm)	Door Width (mm)	Additional intrusion to the fully open door	Headroom (mm) with or without an opener	Sideroom (mm) Panelift Icon / Panelift
1760 to 3990	1800 to 6600	350mm	180	140/120



November 2017
SECTION 04/1



sectional and rolling overhead garage door seal

description

The B&D Exclude-A-Seal™ is an accessory designed to assist the door's standard bottom rail seal in excluding dust, debris, pests and weather ingress under the door. B&D testing showed that water penetration was less evident with the seal fitted than without it.

The seal is able to be used on B&D sectional and rolling overhead doors and should if possible be run past the width of the door with the ends mitred and returned into the structure.

There are two kits available:

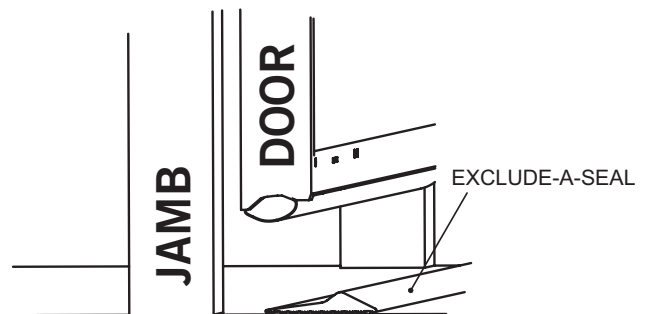
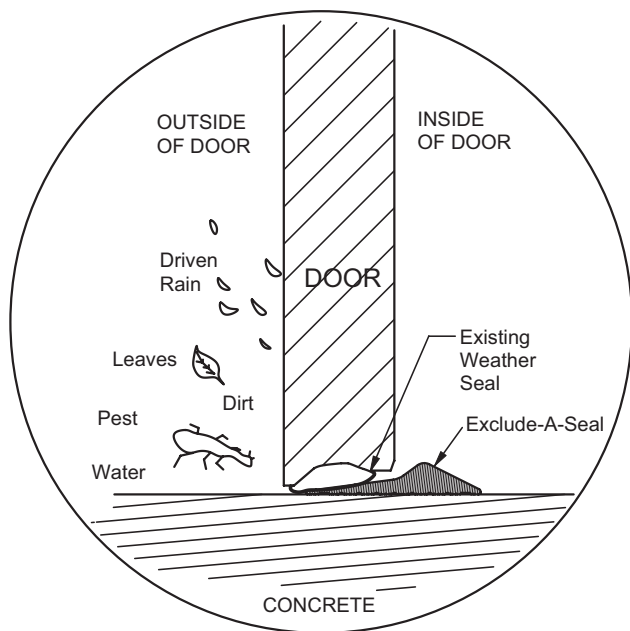
3.3m P/N: OT8514

6.6m P/N: OT8515

The seal is made from extruded black PVC which is UV stabilised quality and is designed to be glued to a level garage floor as shown, it is not recommended for use if the floor is not level or even.

NOTES / INFORMATION

- A) Exclude-A-Seal™, in normal residential use, is covered by a 1 year warranty, excluding labour to repair, when installed by an approved B&D dealer. 1 year warranty only applies to Exclude-A-Seals™ purchased and installed in Australia or New Zealand.
- B) The company reserves the right to make changes or improvements to the products or accessories without notice and without incurring any obligation to make similar changes or improvements to goods previously ordered. Specifications subject to change without notice.
- C) Prefixed Trademarks are trademarks of B&D Australia Pty Ltd.
- D) B&D products have many patents and registered designs applicable.
- E) Details correct at date of publication.

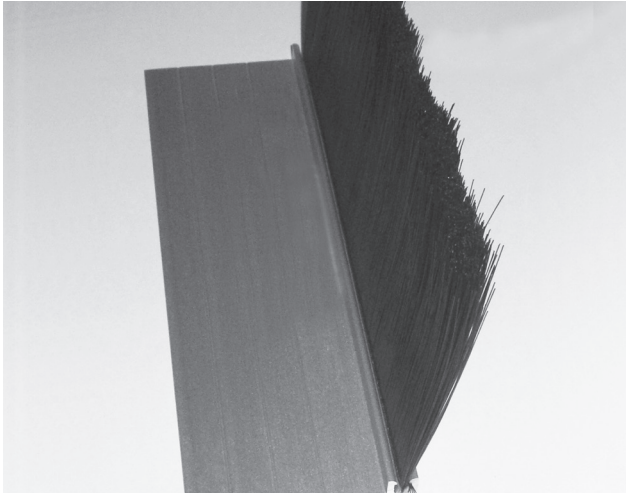


NOTE: Alternative glue to that specified may compromise the adhesion properties.



Emb-A-Seal™

rolling garage door seal



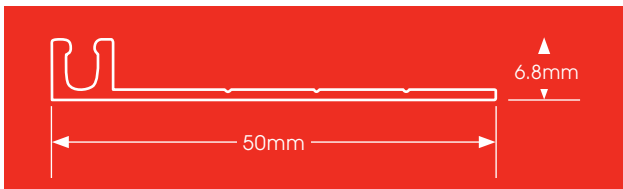
description

The B&D range of Emb-A-Seals™ offer solutions for both sectional and rolling doors. Whether for the garage, the shed or any other application, B&D has a seal that will ensure peace of mind for many years to come.

Aluminium holder is fastened to the roll of the curtain, just above the height of the lintel. Flame retardant brush seal slides into the holder and rests above the lintel to provide a barrier.

Seal is compressed when the door curtain rolls around the drum. This ensures that door operation is unaffected and that the seal is not visible whilst the door is open.

profile



MODEL	Emb-A-Seal
PART NUMBER	Aluminium Extrusion - OT5495 50mm Brush Seal - OT5497
LENGTH	3000mm

size range

Available in lengths up to 3000mm.

features

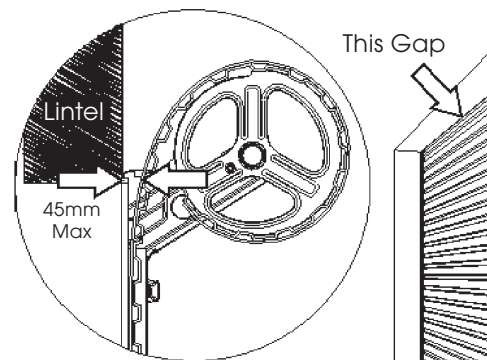
- Seals are designed to work in conjunction with a door to lintel gap of up to 45mm for rolling doors.
- Superior gap filling ability ensures that a solid barrier is created around the door, reducing the risk of embers flying in.
- Manufactured from flame retardant material, seals help delay the onset of fire.
- Seals also act as a barrier to prevent dust, sand and vermin from entering the home, creating a cleaner internal environment, which is becoming more important given the use of the garage as an extra living area.

specifications

Seals: 50mm fire retardant bristle brush seal for the door. For mandatory BAL information refer to AS3959-2009 and the compliance section of this manual

Seal Holders: Features 50mm aluminium F carriers for the lintel.

installation clearances



NOTES / INFORMATION

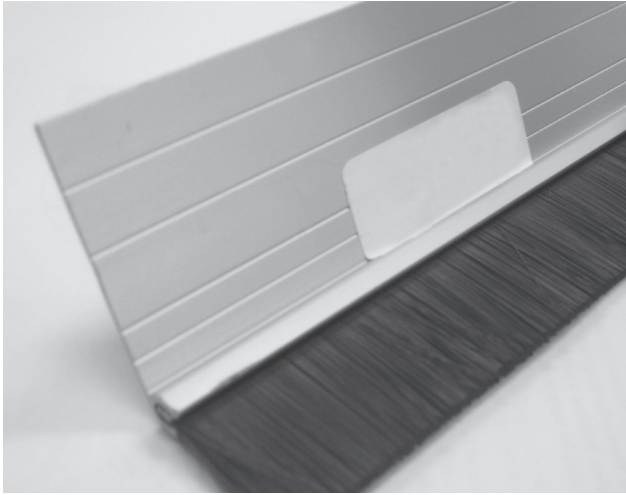
- Emb-A-Seal™, in normal residential use, is covered by a 1 year warranty, excluding labour to repair, when installed by an approved B&D dealer. 1 year warranty only applies to Emb-A-Seals purchased and installed in Australia or New Zealand.
- The company reserves the right to make changes or improvements to the products or accessories without notice and without incurring any obligation to make similar changes or improvements to goods previously ordered. Specifications subject to change without notice.
- Prefixed Trademarks are trademarks of B&D Australia Pty Ltd.
- B&D products have many patents and registered designs applicable.
- Details correct at date of publication.





Emb-A-Seal™

sectional garage door seal



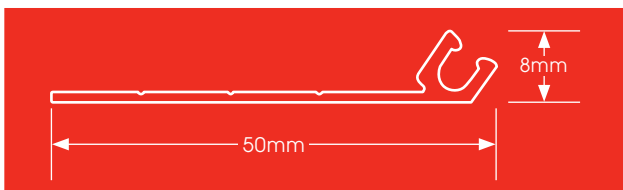
description

The B&D range of Emb-A-Seals™ offer solutions for both sectional and rolling doors. Whether for the garage, the shed or any other application, B&D has a seal that will ensure peace of mind for many years to come.

Seals are suitable for use in high fire risk zones, dry, arid climates, coastal areas and dusty regions where high winds are present.

Comprising of aluminium seal holders that are fixed behind the jambs and lintel. Bristle brush seals fit into these holders to prevent the entry of embers.

profile



MODEL	Emb-A-Seal
PART NUMBER	Carrier - 0T5494 25mm Brush - 0T5496
SINGLE DOOR KIT	0T5503
DOUBLE DOOR KIT	0T5501
LENGTH	3000mm

size range

Available in lengths up to 3000mm.

features

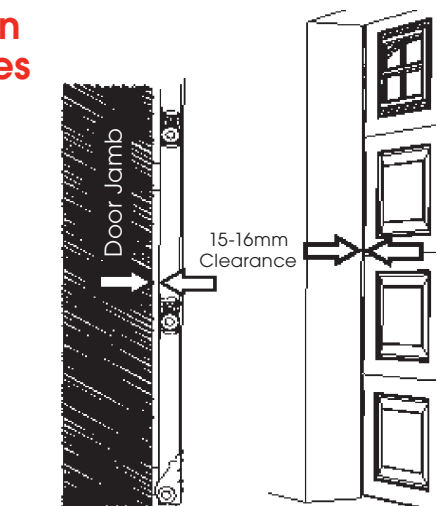
- Seals are designed to work in conjunction with a door to frame gap of up to 16mm for sectional overhead doors.
- Suitable for all flat or grooved type panels.
- Superior gap filling ability ensures that a solid barrier is created around the door, reducing the risk of embers flying in.
- Manufactured from flame retardant material, seals help delay the onset of fire.
- Seals also act as a barrier to prevent dust, sand and vermin from entering the home, creating a cleaner internal environment, which is becoming more important given the use of the garage as an extra living area.

specifications

Seals: 25mm fire retardant bristle brush seal for the lintel and jamb. For mandatory BAL information refer to AS3959-2009 and the compliance section of this manual

Seal Holders: Features aluminium carriers for the jamb and lintel. The width of the carriers is 50mm.

installation clearances



NOTES / INFORMATION

- Emb-A-Seal™, in normal residential use, is covered by a 1 year warranty, excluding labour to repair, when installed by an approved B&D dealer. 1 year warranty only applies to Emb-A-Seals purchased and installed in Australia or New Zealand.
- The company reserves the right to make changes or improvements to the products or accessories without notice and without incurring any obligation to make similar changes or improvements to goods previously ordered. Specifications subject to change without notice.
- Prefix Trademarks are trademarks of B&D Australia Pty Ltd.
- B&D products have many patents and registered designs applicable.
- Details correct at date of publication.





Lintel-Seal.

rolling garage door seal



description

The B&D range of seals offer solutions for both sectional and rolling doors. Whether for the garage, the shed or any other application, B&D has a seal that will ensure peace of mind for many years to come.

Seals are suitable for use in dry, arid climates, coastal areas and dusty regions where high winds are present.

Aluminium holder is fastened to the roll of the curtain, just above the height of the lintel. Flame retardant rubber compound slides into the holder and rests above the lintel to provide a barrier.

Seal is compressed when the door curtain rolls around the drum. This ensures that door operation is unaffected and that the seal is not visible whilst the door is open.

profile



MODEL	Lintel-Seal
PART NUMBER	Single Kit - 051855 Double Kit - 051856
MAX DOOR HEIGHT	None
MAX DOOR WIDTH	5500mm

size range

Available up to a maximum width of 5500mm.

[RETURN TO INDEX](#)

features

- Seals are designed to work in conjunction with a door to frame gap of up to 38mm for rolling doors.
- Size of the rolling door seal can be adjusted to perfectly suit the application thanks to patented tear off system. Seals also compress to disappear out of sight whilst the door is open.
- Superior gap filling ability ensures that a solid barrier is created around the door.
- Manufactured from flame retardant material.
- Seals also act as a barrier to prevent dust, sand and vermin from entering the home, creating a cleaner internal environment, which is becoming more important given the use of the garage as an extra living area.

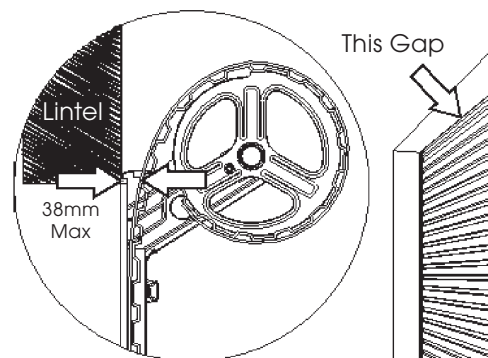
specifications

Seals: Flame retardant rubber compound with 45mm drop. Coverage can be reduced via patented tear off system to adapt perfectly to the application. When the door is opened, the seal rolls up and disappears out of sight. For mandatory BAL information refer to AS3959-2009 and the compliance section of this manual.

Seal Holders: Aluminium extrusion featuring two feet to hold the seal in position. The overall width of the seal holder is 42mm.

Fixings: Fasteners provided fix the aluminium seal holder to the door curtain.

installation clearances



NOTES / INFORMATION

- Lintel-Seal, in normal residential use, is covered by a 1 year warranty, excluding labour to repair, when installed by an approved B&D dealer. 1 year warranty only applies to Lintel-Seals purchased and installed in Australia or New Zealand.
- The company reserves the right to make changes or improvements to the products or accessories without notice and without incurring any obligation to make similar changes or improvements to goods previously ordered. Specifications subject to change without notice.
- Prefixed Trademarks are trademarks of B&D Australia Pty Ltd.
- B&D products have many patents and registered designs applicable. International patent number: PCT/AU2005/001354.
- Details correct at date of publication.





Carport Conversion Kit.

Product Code
KRR1D/APR1D

description

B&D carport conversion kits facilitate the installation of a B&D Roll-A-Door® to a carport.

The two main advantages are that the appearance of the infill panel and jambs match the door and there is no need to use a carpenter to build in front of the carport. Doors can be installed by door installers.

size range

MAX JAMB HEIGHT	3000mm
MAX JAMB DEPTH	75mm
MAX JAMB WIDTH	135mm
MAX HEAD INFILL HEIGHT	600mm
MAX HEAD INFILL WIDTH	3100mm

the kit includes

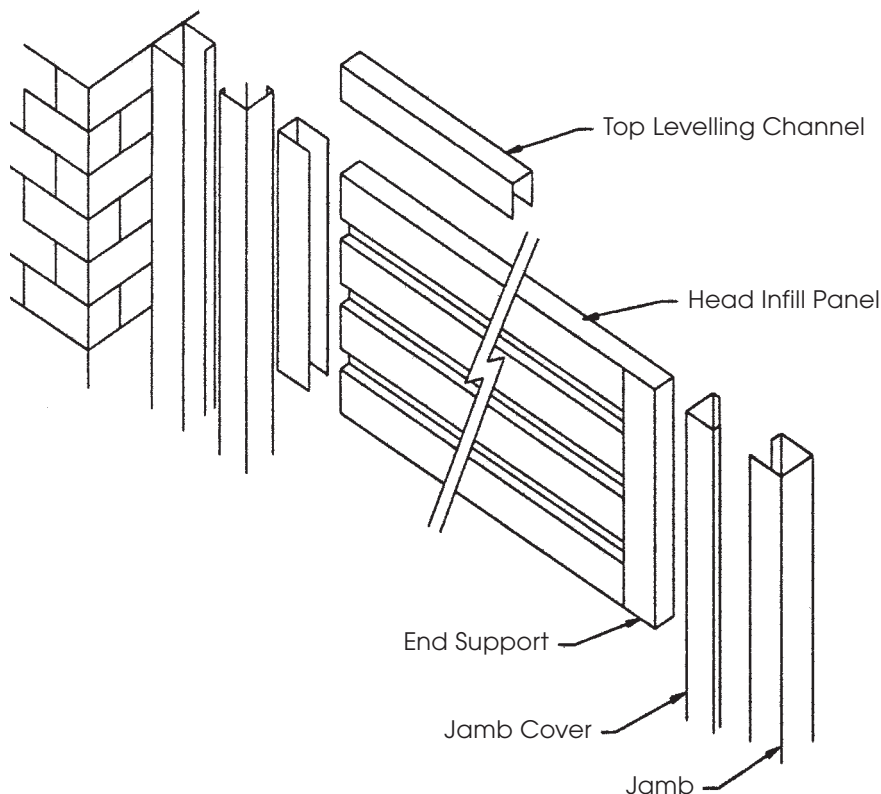
- 1 x pair of jambs
- 1 x pair of jamb covers
- 1 x pair of end supports

NOTE: The carport conversion kit does not include the Head infill panel. This must be ordered separately. A top levelling channel may also be required.

NOTES / INFORMATION

- Carport Conversion Kit, in normal residential use, is covered by a 1 year warranty, excluding labour to repair, when installed by an approved B&D dealer. 1 year warranty only applies to Carport Conversion Kits purchased and installed in Australia or New Zealand.
- The company reserves the right to make changes or improvements to the products or accessories without notice and without incurring any obligation to make similar changes or improvements to goods previously ordered. Specifications subject to change without notice.
- Prefixed Trademarks are trademarks of B&D Australia Pty Ltd.
- B&D products have many patents and registered designs applicable.
- Details correct at date of publication.

HEAD INFILL PANEL FOR CARPORT CONVERSION KIT

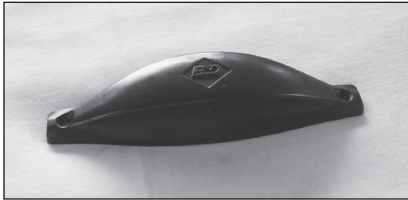




Locks & Handles.

door accessories

There are various types of locks available for your B&D door, some come as standard and others are available as options or extras.



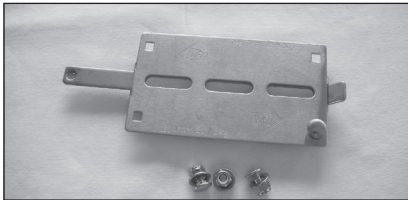
"D" Pull Handle Plastic
SERIES 1, 2, 3
P/N: 49848



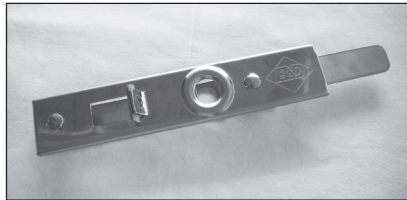
"D" Pull Handle Cast Metal
Chrome Plated
SERIES 1, 2, 3.
P/N: 49849



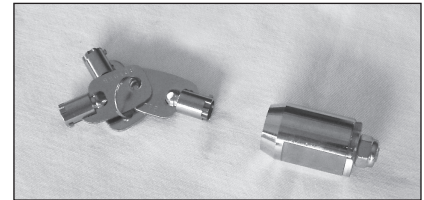
"D" Pull Handle Pressed Metal
Galvanised SERIES 1, 2, 3
P/N: 51755



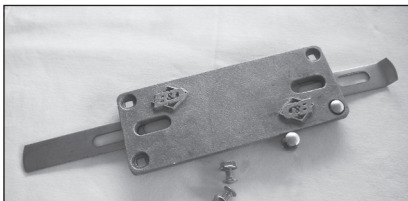
External Stainless Steel Slide Lock
with position for 2 x padlocks
SERIES 1, R1M & R1ME
P/N: 51765



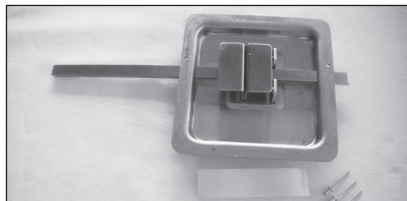
External Stainless Steel Slide Lock
with position for 1 x padlock and
1 x keyed overlocker. SERIES 1, 2, 3
P/N: 51184



Keyed Overlocker
P/N: 51189



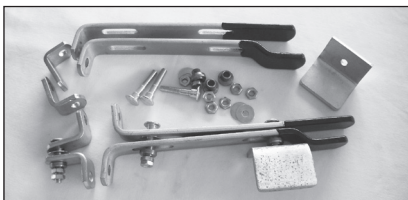
External Cast Aluminium Slide Bolt
with position for 2 x padlocks
SERIES 1, R1M & R1ME
P/N: 47686



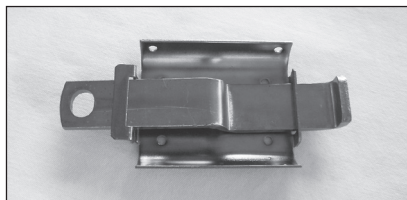
External Traditional Recessed Slide Lock
with position for 2 x padlocks
R1M
P/N: 07167



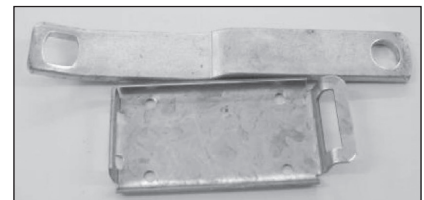
External/Internal Bottom Rail Slide Lock
with position for 1 x padlock
SERIES 1
P/N: 5695



External/Internal Bottom Rail Slide Lock
position for 1 x padlock
SERIES 2
P/N: 6577



Internal Waist High Lock
SERIES 2
P/N: 6136

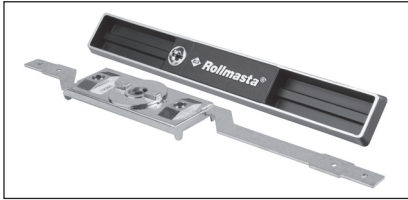


Internal Waist High Lock
SERIES 3
P/N: 48605



Locks & Handles.

door accessories



Centre Lift Lock
S1, ROLLMASTA
P/N: 52001



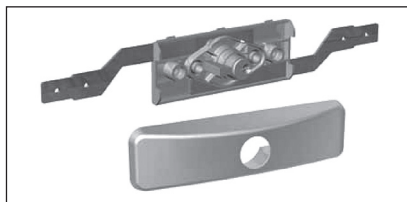
Centre Lift Lock
SERIES 1, 2, 3 ROLL-A-DOOR
P/N: 9052



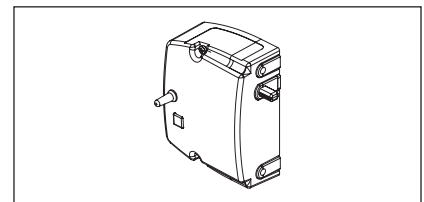
Centre Lift Lock
S1 FIRMADOOR
P/N: 61100



Classic Centre Lock
SERIES 1, 2, 3.
P/N: 3492



V9 C4 Roller Door Lock
P/N: 51786



Auto Lock
will only work with B&D
Controll-A-Door®
(see separate page)

NOTES / INFORMATION

- A) Locks, in normal residential use, is covered by a 1 year warranty, excluding labour to repair, when installed by an approved B&D dealer. 1 year warranty only applies to locks purchased and installed in Australia or New Zealand.
- B) The company reserves the right to make changes or improvements to the products or accessories without notice and without incurring any obligation to make similar changes or improvements to goods previously ordered. Specifications subject to change without notice.
- C) Prefixed Trademarks are trademarks of B&D Australia Pty Ltd.
- D) B&D products have many patents and registered designs applicable.
- E) Details correct at date of publication.

[RETURN TO INDEX](#)





Auto-Lock.

door accessories



description

As the largest door in the home, the garage door plays an important role in protecting what's valuable to you and although the garage stores some of the most valuable things we own, many of us compromise on garage security.

In response to a growing demand for extra security and convenience, we have introduced the B&D Auto-Lock.

The B&D Auto-Lock is compatible with all current B&D Controll-A-Door® sectional overhead door openers and openers produced from 2nd May 2016.

how it works

Every time you close your garage door the Auto-Lock sends a heavy duty bolt through the guard rail helping to prevent thieves from being able to force it up and open - all without the need for a key. In emergencies manual override button is included.

NOTES / INFORMATION

- A) Auto-Lock, in normal residential use, is covered by a 1 year warranty, excluding labour to repair, when installed by an approved B&D dealer. 1 year warranty only applies to Emb-A-Seals purchased and installed in Australia or New Zealand.
- B) The company reserves the right to make changes or improvements to the products or accessories without notice and without incurring any obligation to make similar changes or improvements to goods previously ordered. Specifications subject to change without notice.
- C) Prefixed Trademarks are trademarks of B&D Australia Pty Ltd.
- D) B&D products have many patents and registered designs applicable.
- E) Details correct at date of publication.

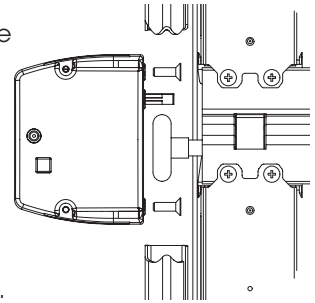
[RETURN TO INDEX](#)

kits

Base Kit - part no: MC0002

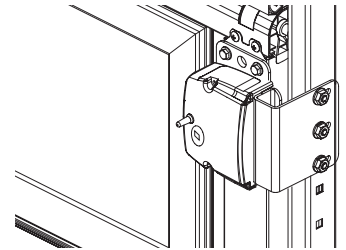
This kit contains lock including batteries, transceiver, fixings, instructions and warranty.

It is suitable for fitting to the left or right hand side of all sectional overhead door tracks which have at least 100mm of additional sideroom. Installation instructions can be found on the B&D website www.bnd.com.au.



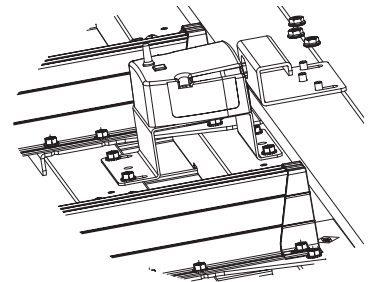
Additional B&D Paneliff® Limited Sideroom Bracket Kit - part no: MC0071

Paneliff limited side room bracket kit allows for fitting the lock to the panel end stile, a separate lock strike attaches to the track. Kits include brackets and fixings.



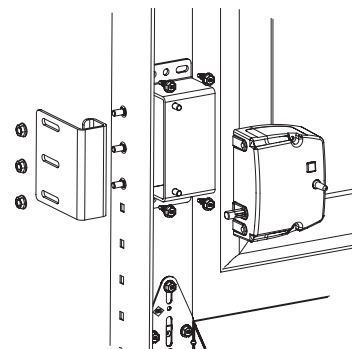
Additional B&D Storm-Shield™ Bracket Kit part no: MC0070

Paneliff Storm Shield requires this kit as it attaches to the double end stile, with the lock strike attaching to the Tracklock. Kits include brackets and fixings.



Additional Rear Hinged and T&G Bracket Kit part no: MC007

Rear hinged or tongue and groove style panels require this kit as the lock must be set back from the panel to align with the track which has the lock strike attached to it. Kits include brackets and fixings.





Independent Taper.

Product Code
RIT

door accessories

description

Independent tapers are designed as an alternative solution to fixed tapers for Series 1,2,3 Roll-A-Door® and Flex-A-Door® where the door is required to follow continuous gradient out of level floor.

The section is flat with no corrugations it has an aluminium rail top and bottom which is notched at each end to suit the guide section, it has a single guide block roller on the short side and two on the long side.

Attachment to the door is by dome head bolts and wiz nuts which require the fixing holes to be drilled to suit on site.

size range

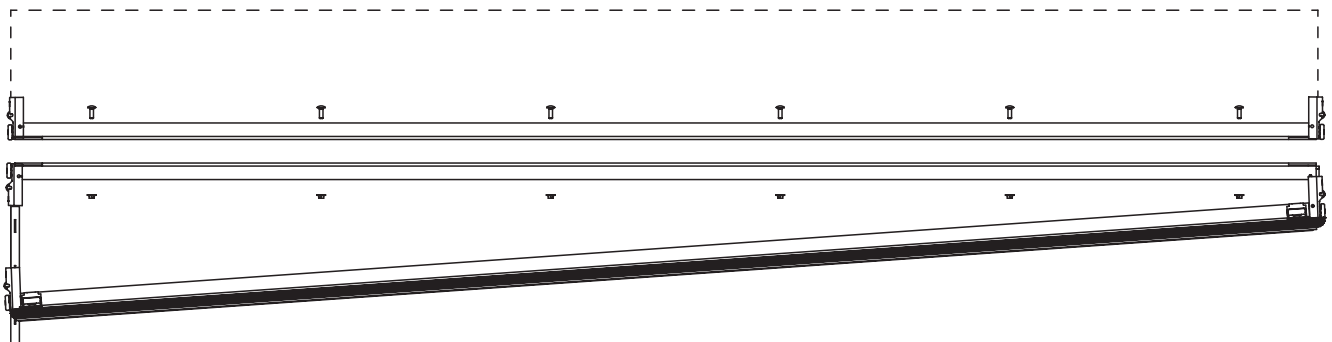
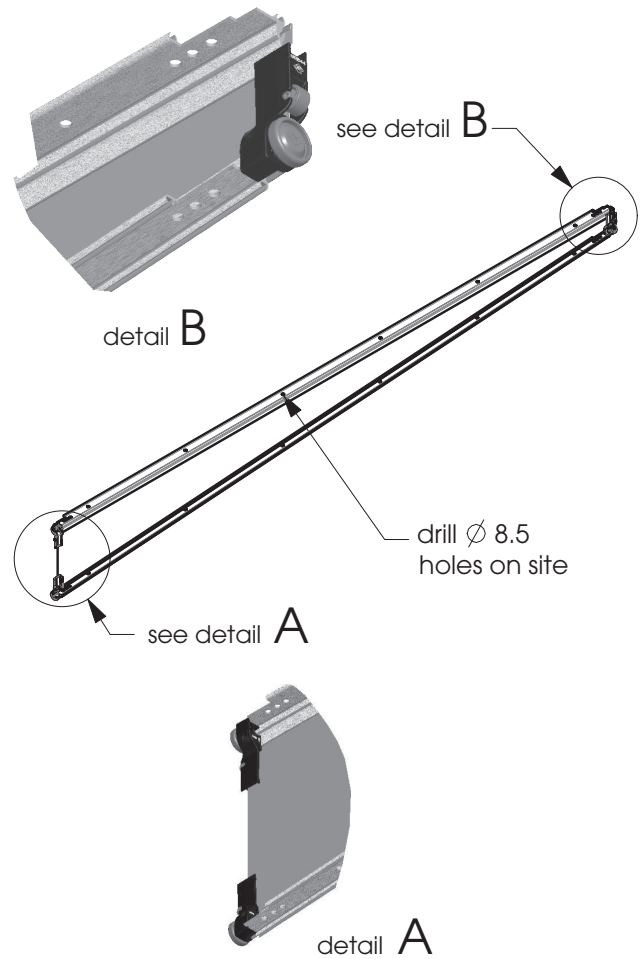
Short side 105mm

Long side 105mm to 290mm

colour

Same as door series.

IMPORTANT NOTE: There will be a double aluminium section showing on the external face between the door and taper joint. Also it is important to note when fitted to Flex-A-Door® it will affect the walk under height and may affect Rolling Doors depending on the individual installation.



NOTES / INFORMATION

- A) Independent Taper, in normal residential use, is covered by a 1 year warranty, excluding labour to repair, when installed by an approved B&D dealer. 1 year warranty only applies to Carport Conversion Kits purchased and installed in Australia or New Zealand.
- B) The company reserves the right to make changes or improvements to the products or accessories without notice and without incurring any obligation to make similar changes or improvements to goods previously ordered. Specifications subject to change without notice.
- C) Prefixed Trademarks are trademarks of B&D Australia Pty Ltd.
- D) B&D products have many patents and registered designs applicable.
- E) Details correct at date of publication.

[RETURN TO INDEX](#)



November 2017
SECTION 04/10