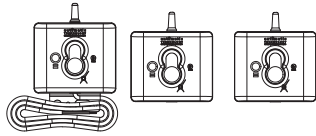


Safety Beam Kits

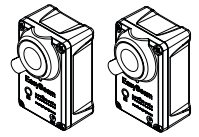
Wiring and Installation Instructions

Wireless WPE-1v1



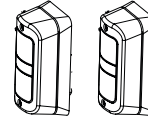
WPE-1V1 KIT - ATA ORDER NO. 61957, B&D ORDER NO. 70300		
ITEM	DESCRIPTION	QTY
1	WPB-04.02 TX ASSEMBLY	1
2	WPB-04.02 RX ASSEMBLY	1
3	WPB-04.03 BASE STATION ASSEMBLY	1
4	MOUNTING KIT	1
FLUSH MOUNTING KIT -		
5	PEB4-W1 BRACKET	2
6	TAPTITE SCREW "P" M3 X 8	8
7	SELF TAPPING SCREW M6 X 25	4
8	PLASTIC WALL PLUG 6.7 X 25	4
PEB4-W1 HARDWARE KIT 2 -		
9	PLASTIC WALL PLUG 6.9 X 25	2
10	SELF TAPPING SCREW M6 X 25	2
11	TAPTITE SCREW "P" BLACK ZNC M3 X 12	8
12	HEX SERRATION FLANGE NUT M6	1
13	HEX SERRATION HEAD SCREW M6 X 16	1

EasyBeam™ PE-3v1



EASYBEAM P.E. 3-V1 KIT ATA ORDER NO. 61904, B&D ORDER NO. 62626		
ITEM	DESCRIPTION	QTY
14	EASYBEAM RX-TX SET	1
4	MOUNTING KIT	1

PE 2000TS



PE 2000TS KIT - ATA ORDER NO. 61903, B&D ORDER NO. 62852		
ITEM	DESCRIPTION	QTY
15	PE BEAM IR-2000TS	1
4	MOUNTING KIT	1
ACCESSORY KIT -		
16	RESISTOR 2K2 PACK	1
17	RESISTOR 5K6 PACK	1
INTERFACE KIT V2 (ACB / DCB BOARDS ONLY) -		
18	HARNESS P.E. RX 24AWG 10M	1
19	HARNESS P.E. RX-TX 17M	1

Important Safety Instructions



WARNING!

- When using Safety beams, the doorway / gateway must be clear of all obstructions and persons at all times. The location of the beams and manner in which they are installed might not give safety protection at all times.
- The sensors need to be 100mm above the floor level, however, the exact position must be chosen in such a manner that it suits the application, the environmental conditions and provides maximum safety protection.
- When using auto close mode, a Safety beam must be fitted correctly and tested for operation at regular intervals. Extreme caution is recommended when using auto close mode. All safety rules must be followed.
- Disconnect the power cord from mains power and battery backup (if installed) before making any repairs or removing covers on openers.



ELECTROCUTION!



CAUTION:




Fall from ladder

Entrapment

- Ensure ladder is the correct type for job.
- Ensure ladder is on flat ground.
- Ensure user has 3 points of contact while on ladder.
- Ensure the garage door / gate is in good working order by undertaking regular servicing.
- Safety beams must be installed if the closing force at the bottom edge of the door / gate exceeds 400N (40kg)

Safety Beam Compatibility

Safety Beams (SB) extend across the opening. The Safety Beam is designed to detect an obstruction while the door / gate is closing and to send a signal to the opener to reverse or stop the door / gate movement. There are three (3) different types of Safety Beam Kits available and they are not compatible with all products. Please refer to table below for product and Safety Beam compatibility.

PRODUCT	EASYBEAM 	WIRELESS 	PE 2000TS 	NO. OF SB INPUTS	RESISTOR
GARAGE DOOR OPENERS					
GDO-6V3			•	x 1	2.2K
GDO-6V4	•	•		x 2	
GDO-8V3			•	x 1	2.2K
GDO-9V2, GDO-9V3			•	x 1	2.2K
GDO-9V2G2, GDO-9V3G2	•	•		x 2	
GDO-11V1,			•	x 1	2.2K
RDO-1V3, RDO-1V4	•	•		x 2	
SDO-2V1, SDO-3V1			•	x 1	2.2K
SDO-2V2, SDO-3V2, ADVANCE & PRODIGY	•	•		x 2	
SDO-4V1, GDO-11V3	•	•		x 2	
LIGHT COMMERCIAL OPENERS					
GDO-10V1			•	x 1	5.6K
GDO-10V2	L1 CONSOLE	•	•	x 1	5.6K
	L2 CONSOLE	•	•	x 3	
GDO-10V3L2	L2 CONSOLE	•	•	x 3	
GATE OPENERS					
DCB-05			•	x 1	5.6K
DCB-05V2	•	•	•	x 2	5.6K
NEOSLIDER NES24			•	x 1	5.6K
NEOSLIDER V2, NEOSLIDER V3	•	•	•	x 2	5.6K
INDUSTRIAL OPENERS					
AXESS 1101			•	x 1	5.6K
AXESS 1505	L2 CONSOLE	•	•	x 3	
AXESS 3000 PRO SERIES	L1 CONSOLE	•	•	x 1	5.6K
	L2 CONSOLE	•	•	x 3	

Mounting Brackets

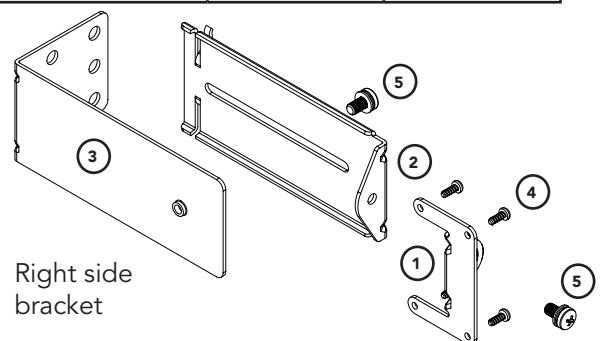
All three (3) types of Safety Beam Kits use the same mounting brackets.

Mounting Kit for all Safety Beams

NOTE: Mount the receiver on the side of the doorway / gateway closest to the opener / console.

Assembling the Mounting Bracket

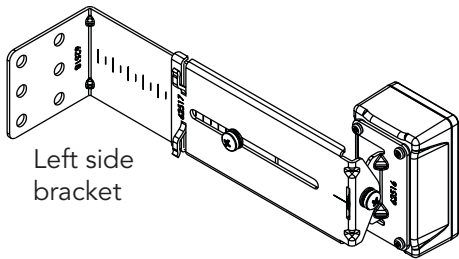
- Attach the PE 2000TS Bracket (1) to the Safety Beam Transmitter (TX) using four (4) M3 x 5 Taptite screws (4).
- Connect the mounting bracket (3) to the adjustment bracket (2) with two (2) of the M5 x 10 Pan Head Screws (5).
- Repeat steps (a) and (b) to assemble the Safety Beam Receiver (RX).
- Mount the receiver on the side of the doorway / gateway closest to the opener / console and the transmitter on the other side in line with the receiver. The mounting surface should be rigid. Affix with a minimum of four (4) screws (not supplied).



MOUNTING KIT		
ITEM	DESCRIPTION	QTY
1	PE 2000TS BRACKET	2
2	ADJUSTMENT BRACKET	2
3	MOUNTING BRACKET	2
4	TAPTITE SCREW "B" PH M3 X 5 ZNC	8
5	PAN HEAD SCREW W/WASHER M5 X 10	4

EasyBeam™ Kit PE-3v1

Refer to compatibility table (page 2) for Product compatibility.

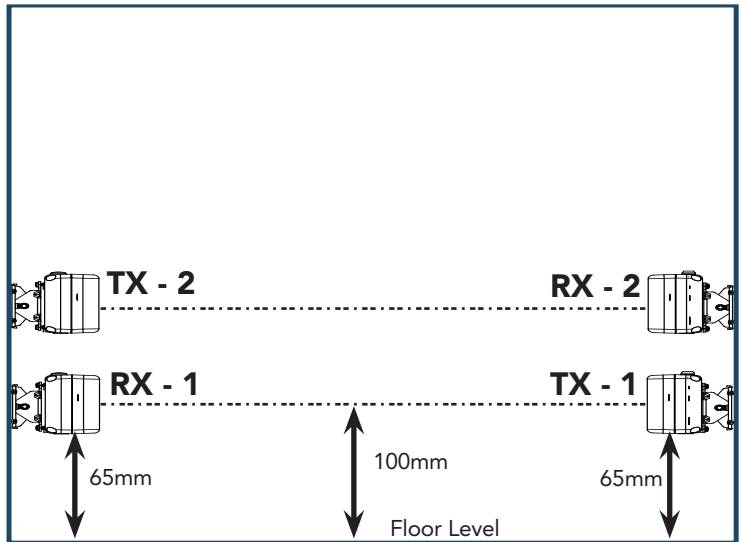
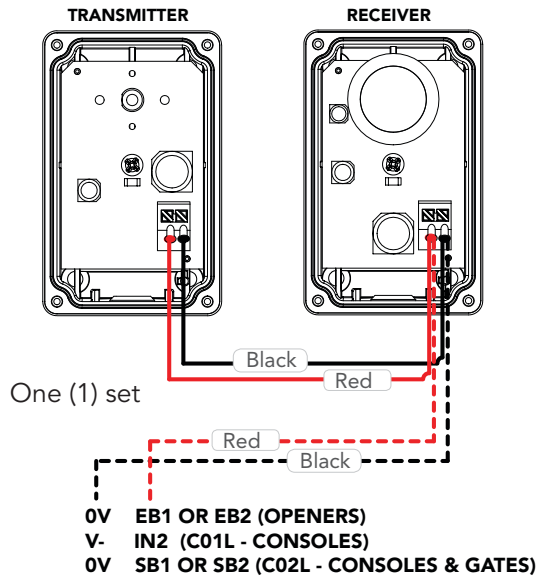


NOTE: Mount the receiver on the side of the doorway / gateway closest to the opener / console.

Assembling the Mounting Bracket

Assemble the mounting bracket as per instructions on page 2.

NOTE: When using two (2) sets of Safety Beams within the opening you must alternative the configuration. See diagram below.



ATA recommends the transmitter and receiver are placed in line of sight, with the beam 100mm above the ground level (as per AS60335). This can be achieved by ensuring the bottom of the receiver and transmitter are 65mm above ground level. They should also be placed as close as possible to the door / gate opening. In industrial applications it is recommended that multiple Safety Beams are fitted.

Wiring the EasyBeam™ PE-3v1

a. Connect the EasyBeam™ to the opener / console as per the first wiring diagram for one (1) set of safety beams or second wiring diagram for two (2) sets of safety beams.

Aligning the Transmitter and Receiver

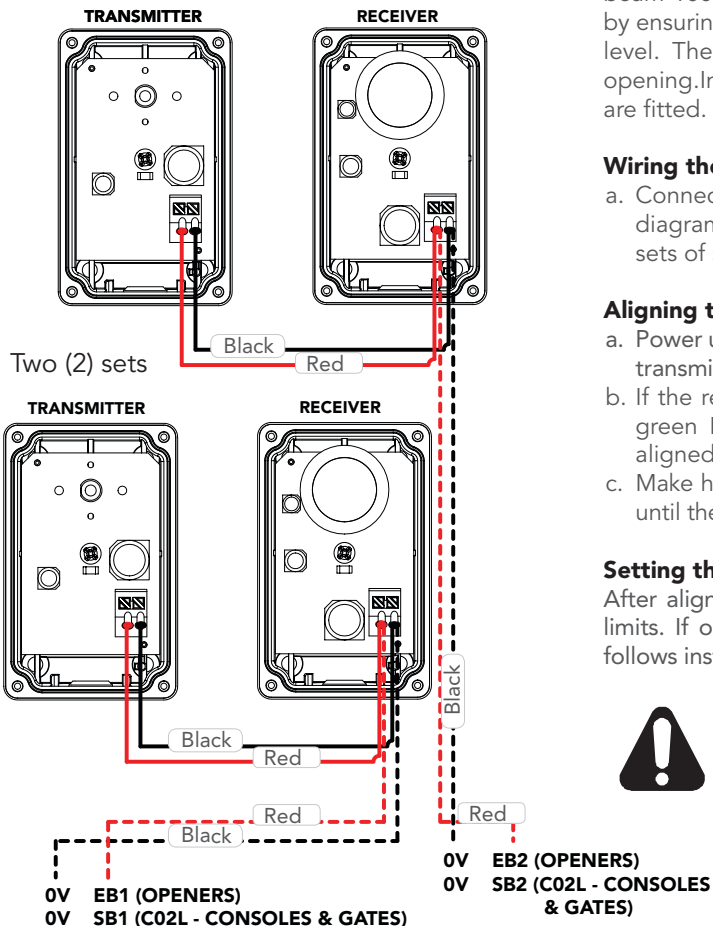
- Power up the opener with the safety beams connected. The green LED on the transmitter should turn ON to indicate power is present.
- If the receiver is connected to power and the red LED is flashing while the green LED on the transmitter is on, the transmitter and receiver are not aligned.
- Make horizontal and/or vertical adjustment on the transmitter and/or receiver until the red LED on the receiver turns on, indicating alignment.

Setting the limits

After aligning the safety beams, refer to the openers manual to set the travel limits. If opener has been installed previously, ensure you clear the limits and follows instructions to set limits again.



WARNING! When using PE Beams, the doorway must be clear of all obstructions and persons at all times. The location of the beams and manner in which it is installed might not give safety protection at all times. Check to make sure that the height of the beam and type used give maximum protection possible.

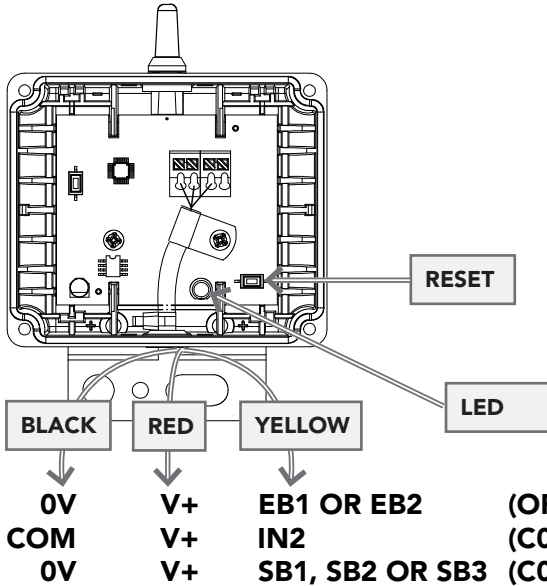


Wireless Kit WPE-1v1

Refer to compatibility table (page 2) for Product compatibility.

Wiring the Base Station to the Opener

- Power off Opener.
- Connect the Wireless WPE-1v1 Base Station to the opener / console as per wiring diagram below.



NOTE: Multiple Sets of Wireless WPE-1v1 can be connected to certain openers and the C02L Console. Gather the set of black wires together and insert into the same terminal as per above wiring diagram. The same process applies to the red wires. The yellow wires are individually inserted into to EB1 and EB2 (openers) or SB1, SB2 and SB3 (C02L Console)

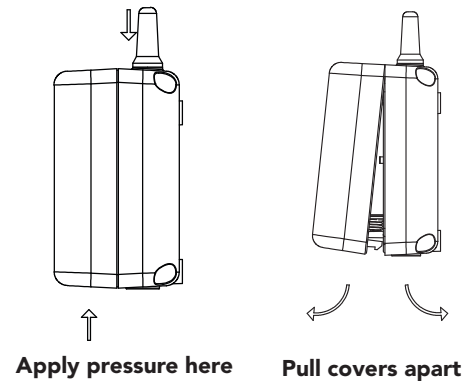
Fixing the Base Station to Wall/Opener

The base station can be fixed to the wall using the two (2) 6.9 x 25 plastic wall plugs (9) and two (2) M6 x 25 self tapping screws (10). It can also be attached directly to a sectional opener using the M6 x 16 Hex serration head screw (13) and M6 Hex serration flange nut (12). The wire can be fed through the top gromet of the opener.

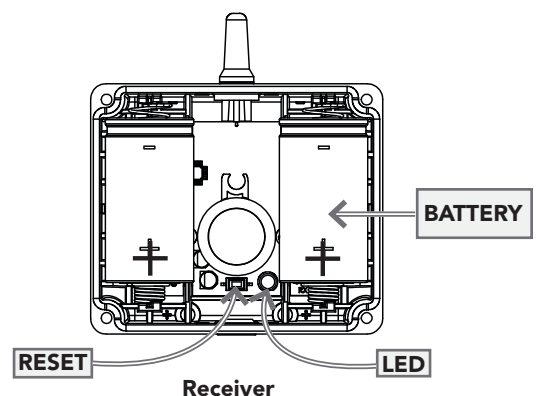
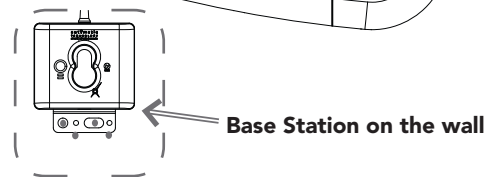
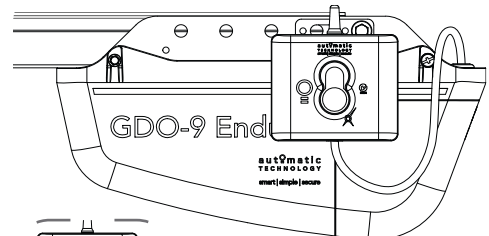
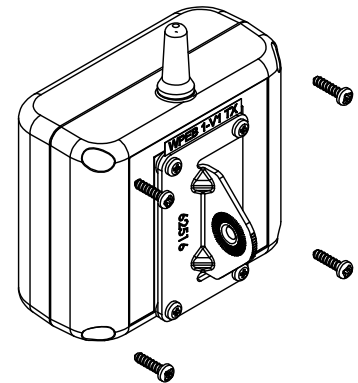
NOTE: The bracket may also be rotated so the base station hangs above the power head.

Inserting batteries into receiver and transmitter

- Insert two (2) C-Type batteries in the Receiver (WPB-4.02 RX) by removing the front cover.
- The LED on the receiver will light up and after the communication is established between the receiver and base station the LED on the base station and the receiver will turn off. This can take up to 60secs.
- Repeat step (a) to insert batteries into the Transmitter (WPB-4.02 TX).
- The LED on the transmitter will light up and after communication is established between the transmitter and base station the LED on the transmitter and on the receiver will start to flash.
- The flashing indicates the link is established between the transmitter and base station, receiver and base station, but receiver and transmitter are not yet aligned.
- Put cover back on Transmitter and Receiver and secure with eight (8) M6 x 25 screws (black) (11).



WARNING! When using the C01L Console ensure that the "PE Beam Type" (Menu 6.4) is set to "2-wire" mode before setting limits.



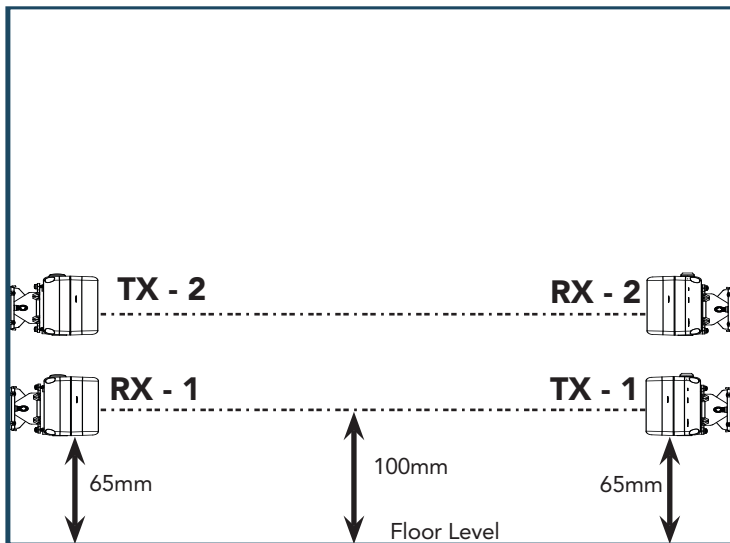
Wireless Kit WPE-1v1

Continued . . .

Assembling the Mounting Bracket

- Attach the PE 2000TS Bracket (1) to the Receiver (WPB-4.02 RX) using four (4) M3 x 5 Taptite screws (4).
- Connect the mounting bracket (3) to the adjustment bracket (2) with two (2) of the M5 x 10 Pan Head Screws (5).
- Repeat steps (a) and (b) to assemble the Safety Beam Transmitter (WPB-4.02TX).
- Mount the receiver on the side of the doorway / gateway closest to the opener / console and the transmitter on the other side in line with the receiver. The mounting surface should be rigid. Affix with a minimum of four (4) screws (not supplied).

NOTE: When using two (2) sets of Safety Beams within the opening you must alternative the configuration. See diagram below.



- ATA recommends the transmitter and receiver are placed in line of sight, with the beam 100mm above the ground level (as per AS60335). This can be achieved by ensuring the bottom of the receiver and transmitter are 65mm above ground level. They should also be placed as close as possible to the door / gate opening. In industrial applications it is recommended that multiple Safety Beams are fitted.

Assemble Flush Mounting Kit (for minimum sideroom applications)

For applications which have limited space available or certain environmental factors a flush mounting kit can be used.

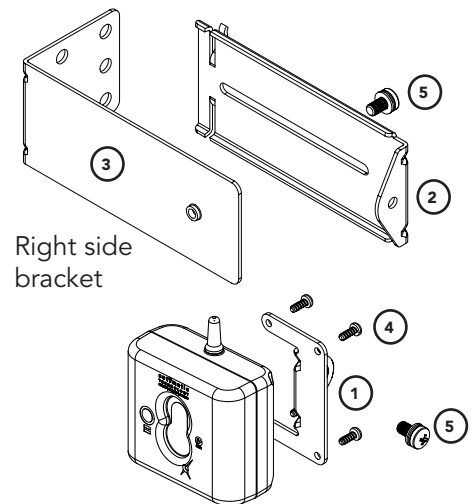
- Attached the transmitter (WPB-4.02TX) and receiver (WPB-4.02RX) to the two (2) PEB4-W1 Bracket (5) with the eight (8) M3 x 8 Taptite screws "P" (6).
- Ensure to take note of the ATA recommendation in step (e) above and fix the TX and RX to the wall or rigid surface using the two (2) 6.9 x 25 plastic wall plugs (8) (if wall) and two (2) M6 x 25 self tapping screws (7).

Aligning the Transmitter and Receiver

- Make horizontal and/or vertical adjustment on the transmitter until the red LED on the receiver stays on, this indicates alignment.
- Make horizontal and/or vertical adjustment on the receiver until the red LED on the transmitter stays on, this indicates alignment.

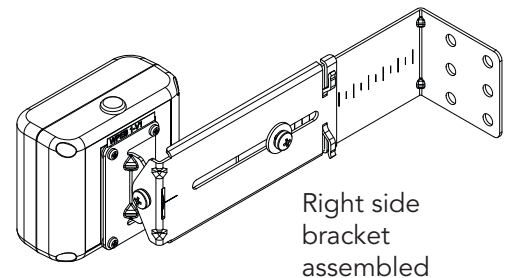
Setting the limits

After aligning the safety beams, refer to the openers manual to set the travel limits. If opener has been installed previously, ensure you clear the limits and follows instructions to set limits again.



Right side bracket

NOTE: Mount the receiver on the side of the doorway / gateway closest to the base station.



Right side bracket assembled



WARNING! When using PE Beams, the doorway must be clear of all obstructions and persons at all times. The location of the beams and manner in which it is installed might not give safety protection at all times. Check to make sure that the height of the beam and type used give maximum protection possible.

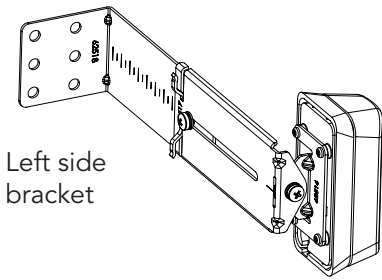


WARNING! PE beams must be installed if the closing force at the bottom edge of the door exceeds 400N (40kg force)



PE 2000TS Kit

Refer to compatibility table (page 2) for Product compatibility.



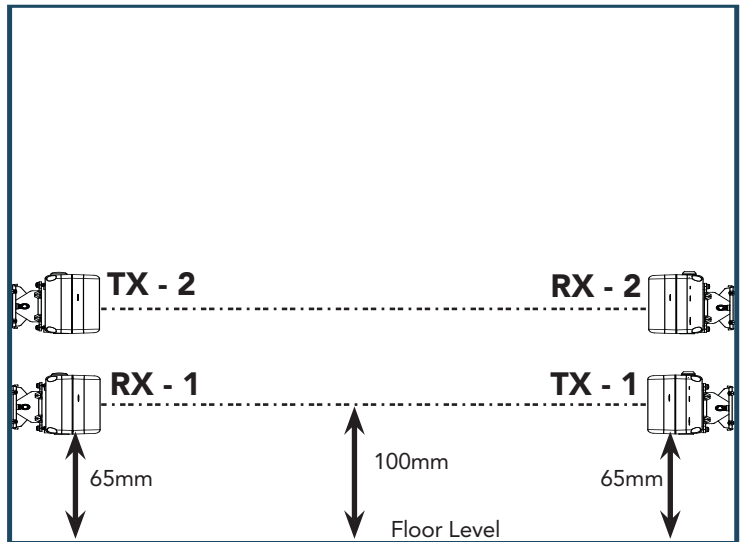
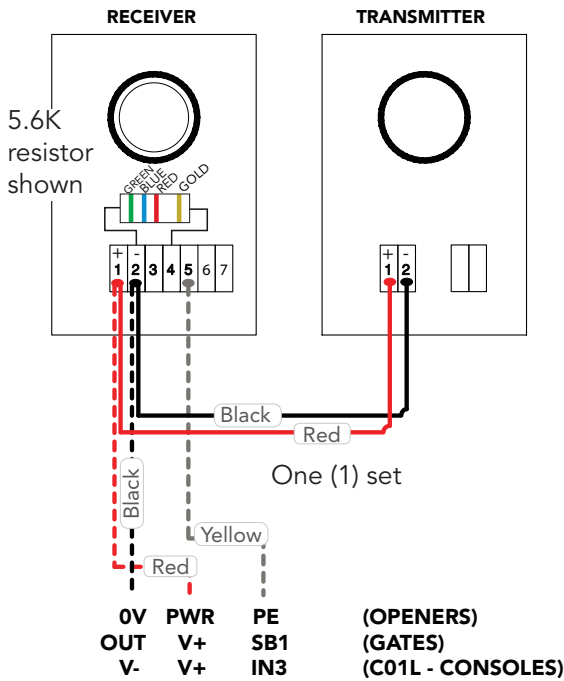
Left side bracket

NOTE: Mount the receiver on the side of the doorway / gateway closest to the opener / console.

Assembling the Mounting Bracket

Assemble the mounting bracket as per instructions on page 2.

NOTE: When using two (2) sets of Safety Beams within the opening you must alternative the configuration. See diagram below.



a. ATA recommends the transmitter and receiver are placed in line of sight, with the beam 100mm above the ground level (as per AS60335). This can be achieved by ensuring the bottom of the receiver and transmitter are 65mm above ground level. They should also be placed as close as possible to the door / gate opening. In industrial applications it is recommended that multiple Safety Beams are fitted.

Wiring the PE 2000TS

- Power off the opener.
- A resistor is required to detect a short in the wiring of the Safety Beam Receiver. Only one of the resistors is to be used inside the Receiver. Refer to compatibility table (page 2) for Product specific resistors.
- Connect the PE 2000TS to the opener / console as per the first wiring diagram for one (1) set of safety beams or second wiring diagram for two (2) sets of safety beams.

Aligning the Transmitter and Receiver

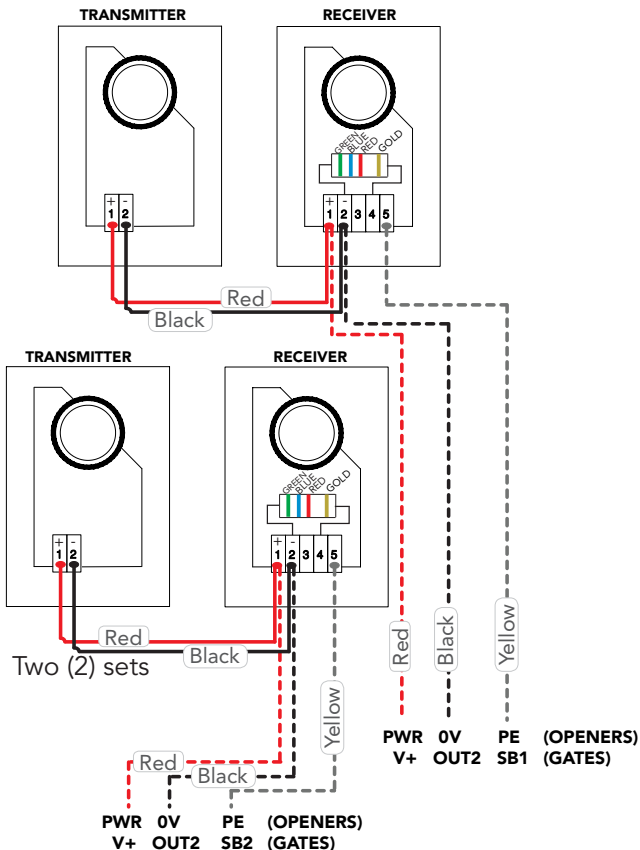
- Power up the opener with the safety beams connected. The green LED on the transmitter should turn ON to indicate power is present.
- If the receiver is connected to power and the red LED is flashing while the green LED on the transmitter is on, the transmitter and receiver are not aligned.
- Make horizontal and/or vertical adjustment on the transmitter and/or receiver until the red LED on the receiver turns on, indicating alignment.

Setting the limits

After aligning the safety beams, refer to the openers manual to set the travel limits. If opener has been installed previously, ensure you clear the limits and follows instructions to set limits again.



WARNING! When using PE Beams, the doorway must be clear of all obstructions and persons at all times. The location of the beams and manner in which it is installed might not give safety protection at all times. Check to make sure that the height of the beam and type used give maximum protection possible.



Troubleshooting

Symptom	Possible cause	Remedy
Base station and receiver LED's constantly on	Receiver is not coded into base station	Code the receiver into base station
Receiver LED constantly on but cannot close the door	Receiver not coded into base station Mains power is not switched on to the opener	Code the receiver into base station. Switch on mains power
Receiver LED is blinking and can not close the door	Receiver and transmitters not aligned properly Beam is obstructed	Realign receiver and the transmitter Remove obstruction from the path of the beam.
During optical alignment transmitter LED stopped working	Setup timed out	Press reset button on the transmitter.
During optical alignment receiver LED stopped working	Setup timed out	Press reset button on the base station.
Wireless PE beam works ok but LED's on receiver and transmitter stopped working	To save battery power LED on transmitter turns off after number of cycles	No remedy required.
LED on the receiver/transmitter started to flash during operation of the door	The battery in the receiver/transmitter is getting flat	Replace the batteries.

Specifications

Technical Specifications	EasyBeam™	Wireless	PE 2000TS
Infrared beam range	20m	6m	20m
RF link range	-	10m	-
RF link frequency	-	2.4 Ghz ISM Band	-
Batteries for Wireless RX and TX	-	C-Type x 2	-
Battery Life	-	3 years approx.	-

Maintenance

To ensure a long and trouble free life for your Safety Beams, the following is recommended:

- Periodically test the Safety Beam is operating efficiently by obstructing either the transmitter or receiver during the openers operation to ensure the door / gate stops.
- If the Safety Beams are located in a very dusty / dirty environment make sure to clean transmitter and receiver lenses for optimal performance.
- Replace batteries in transmitter or receiver (Wireless WPE-1V1 only) when they start to flash during operation of the door / gate.



Warranty and Exclusion of Liability

1. This Warranty is given by Automatic Technology (Australia) Pty Ltd (ABN 11 007 125 368) (ATA), 6-8 Fiveways Boulevard, Keysborough 3173, 1300 133 944, sales@ata-aust.com.au
2. The Competition and Consumer Act 2010 (including the Australian Consumer Law) and other relevant statutes provide a set of statutory consumer guarantees and other legal rights that cannot be excluded, restricted or modified by contract. This Warranty is in addition to and does not affect any of your rights under the Australian Consumer Law and other relevant statutes.
3. Our goods come with guarantees that cannot be excluded under the Australian Consumer Law. You are entitled to a replacement or refund for a major failure and for compensation of any other reasonably foreseeable loss or damage. You are also entitled to have the goods repaired or replaced if the goods fail to be of acceptable quality and the failure does not amount to a major failure.
4. Subject to your non-excludable rights under the Australian Consumer Law, ATA expressly excludes any liability for consequential loss, incidental or indirect damages (including but not limited to damages for loss of business profits, business interruption and loss of business information) due to a defect of the product. In particular any loss or damage caused to other equipment or accessories used with the product or any loss resulting from a delay in repair is excluded to extent permitted by law.
5. Subject to all of the matters set out below, ATA warrants in relation to the Product that:
 - (a) the Product's will be free of any defects in material and workmanship for at least 12 months after the date of purchase (as evidenced by the sales docket receipt).
 6. No additional warranty will apply for Products repaired during the relevant warranty period.
 7. For all Products repaired outside the warranty period, a six (6) month warranty that the Product will be free of any defects in material and workmanship will apply from the date of dispatch of the Product to you. ATA may charge you for any repairs undertaken outside the warranty period, and will provide you with a quotation in relation to any such costs for your approval before proceeding with any repairs.
8. This Warranty applies only where you:
 - (a) immediately notify ATA at the contact details provided in paragraph 1 above or notify the or the retailer that you purchased the Product from of the alleged defect;
 - (b) return the product to the retailer that you purchased the Product from; and
 - (c) present the relevant sales docket and this Warranty document to the retailer to confirm the date of purchase.
9. Except for this Warranty, ATA gives no warranties of any kind whatsoever (whether express or implied), in relation to the product, and, subject to paragraph 1 above, all warranties of whatsoever kind relating to the product are hereby excluded.
10. This Warranty excludes damage resulting from:
 - (a) normal wear and tear;
 - (b) accidental damage;
 - (c) incorrect installation of the Product;
 - (d) blown fuses, electrical surges, power surges or power spikes;
 - (e) theft, fire, flood, rain, water, lightning, storms or any other acts of God;
 - (f) any installation, configuration or use of the Product contrary to the instructions supplied with the Product;
 - (g) maximum continuous operating time exceeding 1 minute in 10;
 - (h) the operating force exceeding 15kg* (150 Newton) when moving the door manually to the open or closed position;
 - (i) door surface area and/or weight exceeding 28m² and 270kg respectively;
 - (j) the door used with the Product not being in safe working order and condition;
 - (k) repairs which are not authorised by ATA;
 - (l) any failure to install or maintain the Product in accordance with the instructions supplied with the Product;
 - (m) any use which is not in accordance with the instructions provided with the Product;
 - (n) deliberate or negligent damage to the Product;
 - (o) any unauthorised modification to the Product;
 - (p) faulty or unsuitable wiring in the building in which the Product is installed;
 - (q) damage caused by insects;
 - (r) any cost or expense relating to the recall of the Product;
 - (s) installation of a residential garage door opener in a commercial or industrial premises or in a dwelling other than a single-family dwelling;
 - (t) radio or electrical interference; or
 - (u) acts or omissions of any person (including service providers approved by ATA) other than ATA.
11. ATA's liability under this Warranty is limited, at ATA's absolute option, to replacing or repairing the product which ATA, in its unfettered opinion, considers to be defective either in material and/or workmanship or to credit the dealer with the price at which the product was purchased by the dealer.
12. This Warranty does not extend to cover labour for installation of the Product following repairs, the cost of which must be borne by you.
13. This Warranty is limited to Return-to-Base (RTB) repair and does not cover labour for on-site attendance, the cost of which must be borne by you.
14. Except as specified in this Warranty, ATA will not charge you for any repairs or replacements conducted under the Warranty. However, ATA will charge you for any repairs which are not within the scope of this Warranty (or which are not required to be undertaken free of charge pursuant to the Australian Consumer Law).
15. This Warranty is void if the Product is not returned to the manufacturer in original or suitably secure packaging.
16. This Warranty is only applicable for repairs to the product carried out within Australia.
17. This Warranty does not cover consumable items including, without limitation, globes, batteries and fuses.
18. This Warranty is not transferable.
19. Where the Product is retailed by any person other than ATA, except for the warranty set out above, such person has no authority from ATA to give any warranty or guarantee on ATA's behalf in addition to the warranty set out above.
20. Any provision of this Warranty that is prohibited or unenforceable in any jurisdiction is ineffective as to that jurisdiction to the extent of the prohibition or unenforceability. That does not invalidate the remaining provisions of this Warranty nor affect the validity or enforceability of that provision in any other jurisdiction.
21. Products presented for repair may be replaced by refurbished goods of the same type rather than being repaired. Refurbished parts may be used to repair the Product.

NOTES:

1. One (1) cycle = one (1) open and one (1) close action of the door.
2. This Warranty is to be read in conjunction with the owner's copy of the installation instruction manual.
3. * The door that the Product is used with should be balanced in such a way that the user is able to open or close the door manually using a force not greater than 150 Newton (15 kg), other than to initially cause the door to start moving, which may require force in excess of that specified in this paragraph.

automatic
TECHNOLOGY

6 - 8 Fiveways Boulevard, Keysborough, VIC, Australia 3173
P: 1300 133 944 E: sales@automatictechnology.com.au
W: www.automatictechnology.com.au



B&D Doors is a division of B&D Australia Pty Ltd
ABN 25 010 473 971

B&D Doors, 34-36 Marigold St, Revesby, NSW, 2212
P: 13 62 63 E: enquires@bnd.com.au
W: www.bnd.com.au